

334 TYTAN CHASSIS

PARTS

TYTAN

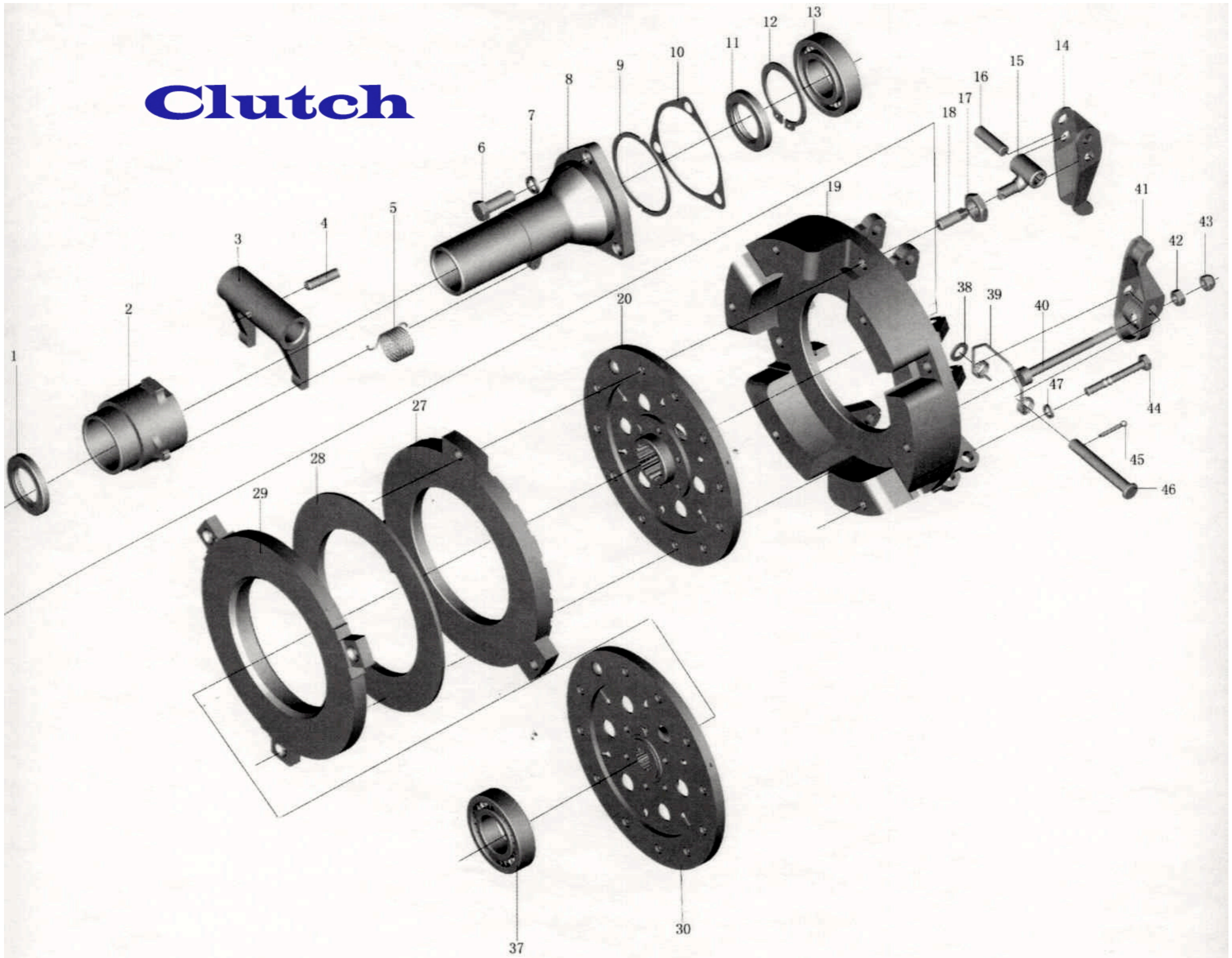
6.MUFFLER

No.	Code	Name	Qty.	No.	Code	Name	Qty.
	254C-1.22.001	Muffler assembly		5	180.22.011	Muffler	1
1	254C-1.22.101	Conneting pipe	1	6	180.22.103	Fender	1
2	180.22.115	Seal washer	1	7	GB/T97.1-1985	Washer 5	4
3	GB/T93-1987	Washer 8	4	8	GB/T93-1987	Washer 5	4
4	GB/T5781-1986	Bolt M8x25	4	9	GB/T67-1985	Bolt M5x16	4

7.BRACKET

No.	Code	Name	Qty.	No.	Code	Name	Qty.
	254C-1.30.001	Bracket assembly		16	254C-1. 30. 101	Support for crank	1
1	254C-1.30.104	Bolt	1	17	GB/T93-1987	Washer 14	9
2	184.74.103-1	Front ballast	6	18	GB/T97. 1. 1985	Washer 14	2
3	GB/T5781-1986	Bolt M12x35	2	19	GB/T6170-1986	Nut M14	1
4	GB/T93-1987	Washer 12	26	20	GB/T5783-1986	Bolt M12x40	4
5	GB/T6170-1986	Nut M12	10	21	254C-1. 30. 016	Front ballast support	1
6	254C-1.30.102	Front towing block	1	22	GB/T5783-1986	Bolt M14x35	8
7	GB/T6170-1986	Nut M8	4	23	254C-1. 30. 140(abc)	Adjusting washer I	as need
8	GB/T93-1987	Washer 8	4	24	254C-1. 30. 141(abc)	Adjusting washer II	as need
9	GB/T97.1-1985	Washer 8	4	25	254C-1. 30. 142(abc)	Adjusting washer III	as need
10	254C-1.30.011	Lower support for battery	1	26	GB/T5783-1986	Bolt M12x30	12
11	254C-1. 30. 109	Bolt	2	27	254C-1. 30. 014	Right bracket weldment	1
12	254C-1. 30. 108	Rubber plate	1	28	254C-1. 30. 015	Left bracket weldment	1
13	254C-1.30.012	Battery cover	1	29	GB/T97. 1-1985	Washer 12	4
14	GB/T5781-1986	Bolt M8x20	2	30	GB/T5783-1986	Bolt M12x45	8
15	254C-1. 30. 103	Engine hood stator	1	31	254C-1. 30. 110	Battery rubber strip	2

Clutch



5.CLUTCH & CREEPER

No.	Code	Name	Qty.	No.	Code	Name	Qty.
48	150.21.112	Plug	4	70	220-1.37.251	Middle shaft	1
49	150.21.119	Right bush	1	71	220-1.37.031	Gear	1
50	GB/T5782-1986	Bolt M10x80	10	72	220-1.37.257	Thrust ring	1
51	220-1.21.101-1	Clutch case	1	73	220-0.21.138	Cover	1
52	220-1.21.111	Upper cover	1	74	220-1.37.032	Rod	1
53	GB/T5783-1986	Bolt M8x20	6	75	GB1096-79	Key C5x16	1
54	220-1.21.110	Seal washer	1	76	GB3452.1-92	O ring 15.0x2.65G	2
55	GB/T876-1986	Pin 5x26	2	77	150.37.191	Presser plate	1
56	220-1.37.260	Creeper lump	1	78	220-1.37.033	Adjusting rod	1
57	150.37.148	Spring	1	79	150.37.250	Washer	1
58	GB308-89	Steel ball8.7312G400b	1	80	GB/T93-1987	Washer 8	1
59	220-1.37.261	Fork shaft	1	81	GB/T5781-1986	Bolt M6x12	1
60	220-1.37.262	Fork	1	82	150.21.105	Spring	1
61	220-1.37.255	Sliding gear	1	83	150.21.118	Bush	2
62	GB/T894.1-1986	Circlip 34	1	84	GB/T1152-1989	Oil cup M10x1	3
63	220-1.37.156	Driving gear	1	85	150.21.137	Bush	1
64	GB/T276-1994	Bearing 6207	1	86	GB/T97.1-1985	Washer 10	1
65	GB3452.1-92	O ring 20.0x2.65	2	87	220-1.21.116	Clutch rod	1
66	220-1.37.258	Driving shaft	1	88	180-2.21.107	Adjusting fork	1
67	GB/T5781-1986	Bolt M8x16	2	89	GB/T882-1986	Pin shaft B8x30	1
68	GB/T854-1988	Washer 8	1	90	GB/T97.1-1985	Washer 8	1
69	220-1.37.263	Plate	1	91	220-1.21.117	Release rod	11

9.FRONT DRIVING WHEEL

No.	Code	Name	Qty.	No.	Code	Name	Qty.
	254C-1.32.001	Front driving wheel assembly		5	254C-1.32.102	Front rim 4.50E(DT) A	2
1	GB/T2979-1991	Tire 6.00-16	2	6	254C-1.32.103	Front rim 4.51E(DT) B	2
2	GB/T2979-1991	Tube 6.00-12	2	7	GB/T93-1987	Washer 12	12
3	254C-1.32.101	Front spoke plate	2	8	GB/T5783-1986	Bolt M12x30	12
4	GB/T6170-1986	Nut M12	12				

8.FRONT DRIVING AXLE

No.	Code	Name	Qty.	No.	Code	Name	Qty.
	254C-1.31.001	Front axle assembly		22	GB3452.1-1992	O ring 75.0x2.65G	2
1	GB/T5786-1986	Bolt M14x1.5x30	10	23	184.31.012	Front final transmission house	2
2	GB/T93-1987	Washer 14	10	24	GB/T301-1995	Bearing 51106	2
3	184.31.150	Front driving shaft	2	25	184.31.110	Adjusting shim	per needed
4	184.31.151	Mud-resisting ring	2	26	GB/T9877.1-1988	Oil seal FB05007008D	2
5	184.31.105	Oil seal	2	27	JB2600-1980	Oil seal W50x72x7	2
6	184.31.108	Driving shaft cover	2	28	GB/T276-1994	Bearing 6208	2
7	GB/T5783-1986	Bolt M10x30	70	29	184.31.103	End deceleration driving gear	2
8	GB/T93-1987	Washer 10	74	30	GB/T895.2-1986	Circlip	2
9	GB/T9877.1-1988	Oil seal FB04507008D	2	31	184.31.115	Vertical shaft	2
10	184.31.109	Adjusting shim	per needed	32	184.31.113	Vertical shaft sleeve	2
11	GB/T292-1994	Bearing 7208C	2	33	184.31.102	Adjusting shim	per needed
12	184.31.106	Circlip	4	34	184.31.114	Middle driven gear	2
13	184.31.107	Circlip bush	2	35	GB/T276-1994	Bearing 6208	2
14	194.31.104	Driven gear	2	36	184.31.116	Bearing cover	2
15	GB/T292-1994	Bearing 7206C	2	37	GB3452.1-1992	O ring 34.5x3.55G	2
16	GB/T3452.1-1992	O ring 170x3.55G	2	38	254C-1.31.013	Left knuckle arm assembly	1
17	184.31.101	Bearing cover	2	39	GB/T1152-1989	Oil cup M10x1	4
18	GB/T93-1987	Washer 8	28	40	184.31.118	Adjusting shim	per needed
19	GB/T5783-1986	Bolt M8x20	24	41	GB3452.1-1992	O ring 75.0x2.65G	2
20	184.31.130	Washer	2	42	254C-1.31.120	Front shaft housing	2
21	184.31.129	Bolt cover	2	43	184.31.014	Dipstick	1

5.CLUTCH & CREEPER

No.	Code	Name	Qty.	No.	Code	Name	Qty.
92	150.21.102	Fork shaft	1	97	GB/T5783-1986	Bolt M14x25	4
93	150.21.120	Left bush	1	98	GB/T93-1987	Washer 14	4
94	GB/T5783-1986	Bolt M8x25	1	99	220-1.21.118	Side cover	1
95	GB/T6172-4986	Nut M8	1	100	220-1.37.259	Clutch shaft	1
96	GB/T5782-1986	Bolt M10x40	2				

8.FRONT DRIVING AXLE

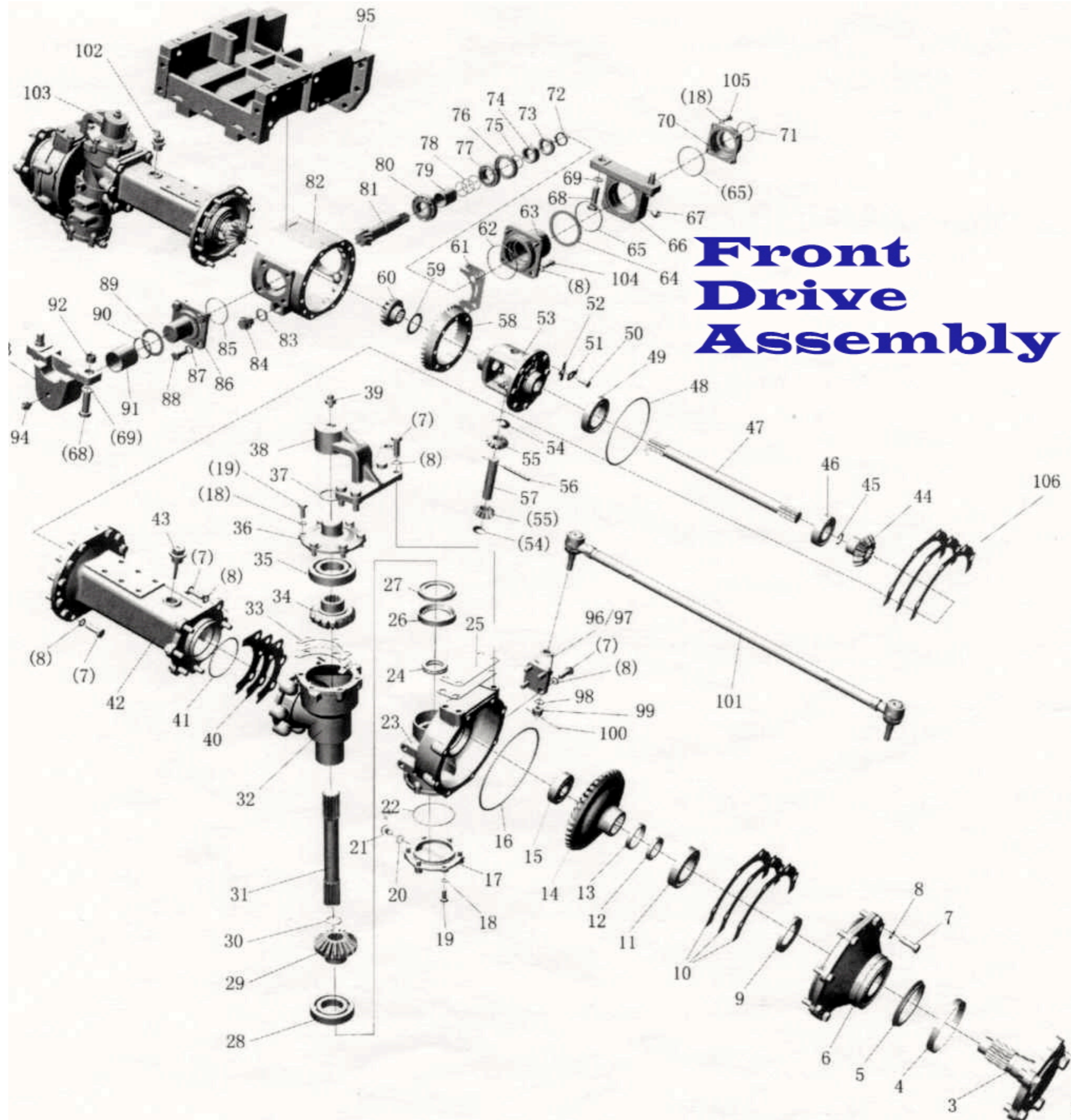
No.	Code	Name	Qty.	No.	Code	Name	Qty.
44	184.31.117	Middle driving gear	2	66	254C-1.31.019	Rear support	1
45	GB/T895.1-1986	Circlip 22	2	67	GB/T1152-1989	Oil cup M10x1	2
46	GB/T276-1994	Bearing 6207	2	68	GB/T5782-1986	Bolt M16x55	4
47	254C-1.31.119	Front driving shaft	2	69	GB/T93-1987	Washer 16	4
48	GB3452.1-1992	O ring 145x3.55G	2	70	184.31.131	Dustproof pipe seat	1
49	GB292-83	Bearing 46110	2	71	GB3452.1-1992	O ring 45.0x2.65G	1
50	GB/T5789-1986	Bolt M10x1.25x20	8	72	GB858-88	Washer 27	1
51	GB/T-1988	Washer10	7	73	GB810-88	Round nut	1
52	184.31.166	Stop slice	1	74	184.31.182	Oil-seal seat	1
53	184.31.160	Front drive differential housing	1	75	GB3452.1-1992	O ring 28x2.65	1
54	184.31.162	Washer	2	76	JB2600-1980	Oil seal SG40x60x10	1
55	184.31.161	Front planet gear	2	77	GB297-84	Bearing 2007106	1
56	184.31.164	Pin	1	78	184.31.181	Adjusting shim	per needed
57	184.31.163	Front planet gear shaft	1	79	184.31.179	Partition bush	1
58	184.31.165	Front driven bevel gear	1	80	GB297-84	Bearing 7206E	1
59	184.31.167	Front half-shaft gear washer	2	81	184.31.178	Driving bevel gear shaft	1
60	184.31.168	Front half-shaft gear	2	82	184.31.123	Front driving house	1
61	184.31.134	Adjusting shim	per needed	83	150.37.163	Washer	3
62	GB3452.1-1992	O ring 75.0x2.65	1	84	150.37.162	Bolt cover	1
63	184.31.180	Driving bevel gear bearing seat	1	85	GB3452.1-1992	O ring 54.5x2.65G	1
64	184.31.132	Washer	1	86	184.31.135-1	Front pendulum shaft	1
65	GB3452.1-1992	O ring 67.0x3.55G	2	87	GB/T93-1987	Washer 12	4

10.DRIVING WHEEL

No.	Code	Name	Qty.	No.	Code	Name	Qty.
	254C-1.34.001	Driving wheel assembly		7	200-3.34.101	Ballast	3
1	GB/T2979-1991	Tire 9.50-24	1	8	250.34.107	Bolt	3
2	GB/T2979-1991	Inner tube 9.50-24	1	9	180.34.104	Washer	3
3	254D-1.34.011	Rim	1	10	GB/T5783-1986	Bolt M14x30	6
4	200-3.34.102	Driving wheel hub	1	11	GB/T5782-1986	Bolt M14x75	4
5	GB/T93-1987	Washer 14	19	12	200-3.34.103	Hub cover	1
6	GB/T6170-1986	Nut M14	10				

11.PENDULUM DRAWBAR

No.	Code	Name	Qty.	No.	Code	Name	Qty.
	254C-1.35.001	Pendulum drawbar assembly		4	254C-1.47.010	Pendulum drawbar	1
1	150.31.105	Lock pin	3	5	254C-1.47.012	Pin	2
2	254C-1.35.011	Pendulum rod	1	6	GB/T5783-1986	Bolt M14x35	6
3	150.31.011	Front pin	1	7	GB/T93-1987	Washer 14	6



Front Drive Assembly

8.FRONT DRIVING AXLE

No.	Code	Name	Qty.	No.	Code	Name	Qty.
	254C-1.31.001	Front axle assembly		22	GB3452.1-1992	O ring 75.0x2.65G	2
1	GB/T5786-1986	Bolt M14x1.5x30	10	23	184.31.012	Front final transmission house	2
2	GB/T93-1987	Washer 14	10	24	GB/T301-1995	Bearing 51106	2
3	184.31.150	Front driving shaft	2	25	184.31.110	Adjusting shim	per needed
4	184.31.151	Mud-resisting ring	2	26	GB/T9877.1-1988	Oil seal FB05007008D	2
5	184.31.105	Oil seal	2	27	JB2600-1980	Oil seal W50x72x7	2
6	184.31.108	Driving shaft cover	2	28	GB/T276-1994	Bearing 6208	2
7	GB/T5783-1986	Bolt M10x30	70	29	184.31.103	End deceleration driving gear	2
8	GB/T93-1987	Washer 10	74	30	GB/T895.2-1986	Circlip	2
9	GB/T9877.1-1988	Oil seal FB04507008D	2	31	184.31.115	Vertical shaft	2
10	184.31.109	Adjusting shim	per needed	32	184.31.113	Vertical shaft sleeve	2
11	GB/T292-1994	Bearing 7208C	2	33	184.31.102	Adjusting shim	per needed
12	184.31.106	Circlip	4	34	184.31.114	Middle driven gear	2
13	184.31.107	Circlip bush	2	35	GB/T276-1994	Bearing 6208	2
14	194.31.104	Driven gear	2	36	184.31.116	Bearing cover	2
15	GB/T292-1994	Bearing 7206C	2	37	GB3452.1-1992	O ring 34.5x3.55G	2
16	GB/T3452.1-1992	O ring 170x3.55G	2	38	254C-1.31.013	Left knuckle arm assembly	1
17	184.31.101	Bearing cover	2	39	GB/T1152-1989	Oil cup M10x1	4
18	GB/T93-1987	Washer 8	28	40	184.31.118	Adjusting shim	per needed
19	GB/T5783-1986	Bolt M8x20	24	41	GB3452.1-1992	O ring 75.0x2.65G	2
20	184.31.130	Washer	2	42	254C-1.31.120	Front shaft housing	2
21	184.31.129	Bolt cover	2	43	184.31.014	Dipstick	1

8.FRONT DRIVING AXLE

No.	Code	Name	Qty.	No.	Code	Name	Qty.
44	184.31.117	Middle driving gear	2	66	254C-1.31.019	Rear support	1
45	GB/T895.1-1986	Circlip 22	2	67	GB/T1152-1989	Oil cup M10x1	2
46	GB/T276-1994	Bearing 6207	2	68	GB/T5782-1986	Bolt M16x55	4
47	254C-1.31.119	Front driving shaft	2	69	GB/T93-1987	Washer 16	4
48	GB3452.1-1992	O ring 145x3.55G	2	70	184.31.131	Dustproof pipe seat	1
49	GB292-83	Bearing 46110	2	71	GB3452.1-1992	O ring 45.0x2.65G	1
50	GB/T5789-1986	Bolt M10x1.25x20	8	72	GB858-88	Washer 27	1
51	GB/T-1988	Washer10	7	73	GB810-88	Round nut	1
52	184.31.166	Stop slice	1	74	184.31.182	Oil-seal seat	1
53	184.31.160	Front drive differential housing	1	75	GB3452.1-1992	O ring 28x2.65	1
54	184.31.162	Washer	2	76	JB2600-1980	Oil seal SG40x60x10	1
55	184.31.161	Front planet gear	2	77	GB297-84	Bearing 2007106	1
56	184.31.164	Pin	1	78	184.31.181	Adjusting shim	per needed
57	184.31.163	Front planet gear shaft	1	79	184.31.179	Partition bush	1
58	184.31.165	Front driven bevel gear	1	80	GB297-84	Bearing 7206E	1
59	184.31.167	Front half-shaft gear washer	2	81	184.31.178	Driving bevel gear shaft	1
60	184.31.168	Front half-shaft gear	2	82	184.31.123	Front driving house	1
61	184.31.134	Adjusting shim	per needed	83	150.37.163	Washer	3
62	GB3452.1-1992	O ring 75.0x2.65	1	84	150.37.162	Bolt cover	1
63	184.31.180	Driving bevel gear bearing seat	1	85	GB3452.1-1992	O ring 54.5x2.65G	1
64	184.31.132	Washer	1	86	184.31.135-1	Front pendulum shaft	1
65	GB3452.1-1992	O ring 67.0x3.55G	2	87	GB/T93-1987	Washer 12	4

8.FRONT DRIVING AXLE

No.	Code	Name	Qty.	No.	Code	Name	Qty.
88	GB/T5783-1986	Bolt M12x25	4	98	GB/T93-1987	Wasker 12	6
89	184.31.136-1	Washer	1	99	GB/T6179-1986	Nut M12	2
90	GB3452.1-1992	O ring 40.0x3.55G	2	100	GB/T91-1986	Pin 3.2x22	2
91	184.31.183	Bush	1	101	184.31.018	Transversal pull rod	1
92	254C-1.31.137	Stop bush	4	102	184.31.016	Breathing plug	1
93	254C-1.31.184	Front bracket	1	103	184.31.017	Right steering knockle	1
94	GB/T1152-1989	Oil cup M10x1	2	104	GB/T5783-1986	Bolt M10x25	4
95	254C-1.31.124	Front support	1	105	GB/T5783-1986	Bolt M8x16	4
96	184.31.127	Left knuckle arm	1	106	184.31.122	Adjusting shim	per needed
97	184.31.128	Right knuckle arm	1				

16.HYDRAULIC STEERING SYSTEM

No.	Code	Name	Qty.	No.	Code	Name	Qty.
	254C-1.40.001	Hydraulic steering system		21	150.40.107	Washer	6
1	150.40.107	Cover	1	22	254C-1. 40. 016	Right pipe	1
2	150.40.105	Circlip	1	23	150.54.108	Bolt	3
3	150.40.106	Rubber cushion	1	24	GB/T5783-1986	Bolt M6x20	1
4	GB/T6171-1986	Nut M16x1.5	21	25	254C-1. 40. 128	Washer	1
5	150.40.015	Steering wheel	1	26	254C-1. 40. 129	Washer	1
6	254.40.113	Oil seal	1	27	GB/T93-1987	Washer 6	1
7	254C-1.40.013	Steering lever	1	28	GB/T6170-1986	Nut M6	1
8	GB/T5782-1986	Bolt M10x40	4	29	254C-1. 40. 019	Steering cylinder	1
9	GB/T93-1987	Washer 10	8	30	254C-1. 40. 015	Left pipe	1
10	254.40.101	Support	1	31	254C-1. 40. 011	Support weldment	1
11	GB/T5782-1986	Bolt M10x30	4	32	GB/T119-1986	Pin A10x26	2
12	254C-1.40.022	Clamp	1	33	GB/T93-1987	Washer 12	4
13	254C-1.40.014	High pressure oil pipe	2	34	GB/T5783-1986	Bolt M12x35	4
14	GB/T6172-1986	Nut M16x1.5	1	35	GB/T5780-1986	Bolt M8x40	2
15	254C-1.40.020	Rod connector	1	36	GB/T93-1987	Washer 8	8
16	GB/T97.1-1985	Washer 12	1	37	254C-1.40.021	Oil intake connector	1
17	GB/T6197-1986	Nut M12	1	38	GB3452.1-1992	O ring 20x1.80G	1
18	GB/T91-1986	Pin 2.5x45	1	39	CBT-E306FHL062BR	Pump	1
19	GB/T848-1985	Washer 16	1	40	254C-1.54.104	Gasket	1
20	GB/T93-1987	Washer 16	1	41	254.40.139	Connector	1

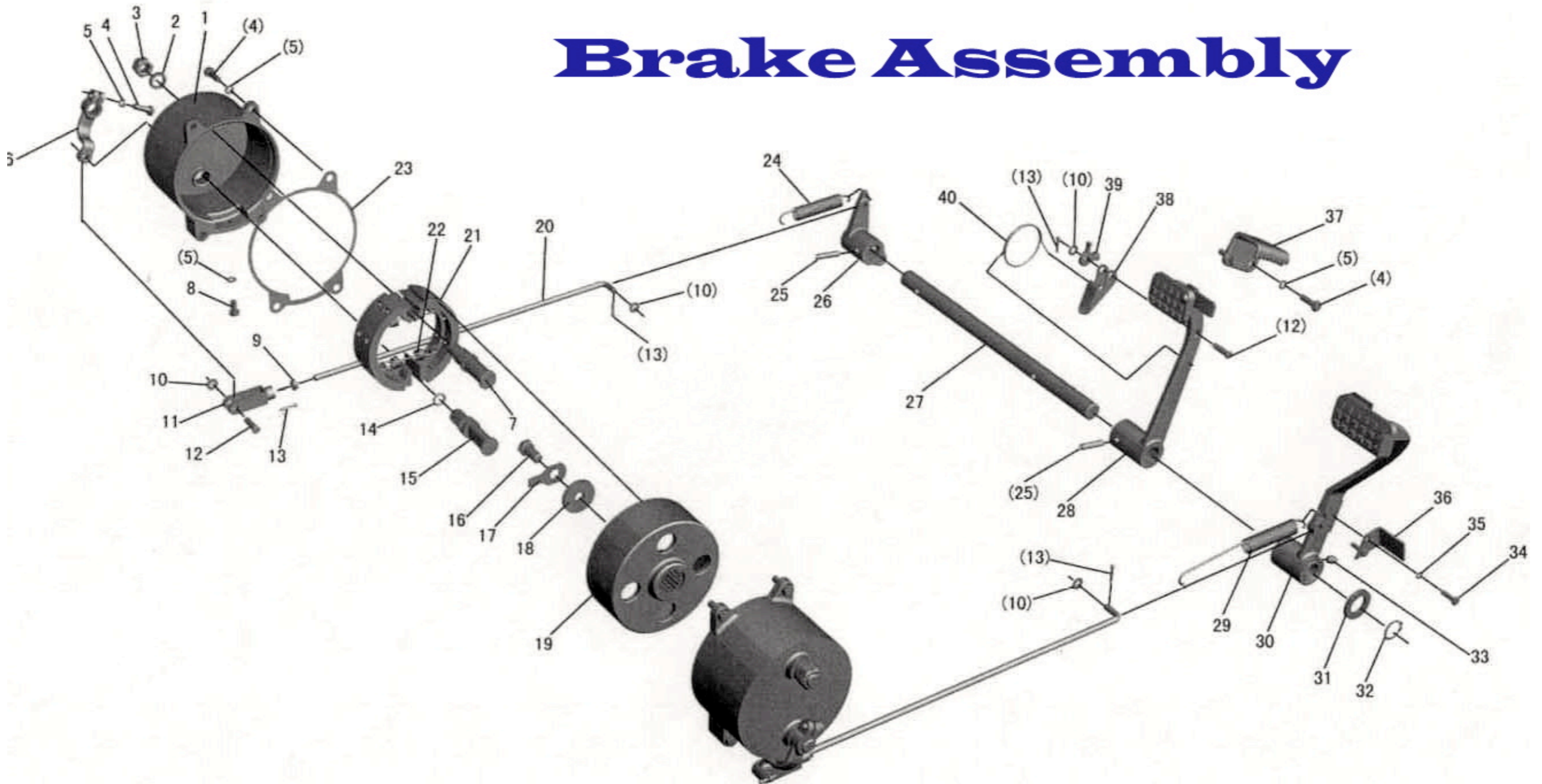
15.TRANSFER CASE ASSEMBLY

No.	Code	Name	Qty.	No.	Code	Name	Qty.
	254C-1.42.001	Transfer case assembly		22	GB/T3452.1-1992	O ring 45x2.64G	1
1	GB/T5783-1986	Bolt M8x20	3	23	GB/T5783-1986	Bolt M10x25	3
2	GB/T93-1987	Washer 8	5	24	184.42.113	Spline sleeve	2
3	184.42.105	Rear bearing cover	1	25	254C-1.42.013	Shaft	1
4	184.42.106	Gasket	1	26	GB/T897-1986	Pin 6x35	3
5	GB/T93-1987	Washer 10	7	27	254C-1.42.011	Pipe	1
6	GB/T5783-1986	Bolt M10x30	4	28	254C-1.42.131	Guard bush	1
7	JB3798-1984	Bolt M12x1.5	1	29	GB/T6170-1986	Nut M8	1
8	184.42.123	Washer	1	30	GB/T5783-1986	Bolt M8x25	1
9	254C-1.42.101	Case	1	31	184.42.012-1	Support	1
10	GB/T276-1994	Rolling bearing 6304	1	32	254C-1.42.135	Circlip	1
11	184.42.107	Rear stop ring	1	33	GB/T67-1985	Bolt M6x25	1
12	254C-1.42.104	Driven gear	1	34	GB/T93-1987	Washer 6	1
13	GB5846-1986	Bearing K252917	2	35	GB/T6170-1986	Nut M6	1
14	184.42.108	Bearing partition sleeve	1	36	GB/T3452.1-1992	O ring 53x2.65G	2
15	184.42.103	Meshing sleeve	1	37	254C-1.42.129	Outer guard pipe	1
16	184.42.102	Shaft	1	38	184.42.116	Middle shaft	1
17	184.42.109	Front stop ring	1	39	184.42.115	Stop ring	2
18	GB/T276-1994	Rolling bearing 6305	1	40	GB5846-1986	Bearing K202417	2
19	184.42.110	Gasket	1	41	184.42.117	Partition sleeve	1
20	JB2600-1980	Oil seal SG25x45x8	1	42	254C-1.42.118	Middle gear	1
21	184.42.111	Front bearing cover	1	43	GB3452.1-1992	O ring 125x3.55G	1

8.FRONT DRIVING AXLE

No.	Code	Name	Qty.	No.	Code	Name	Qty.
88	GB/T5783-1986	Bolt M12x25	4	98	GB/T93-1987	Wasker 12	6
89	184.31.136-1	Washer	1	99	GB/T6179-1986	Nut M12	2
90	GB3452.1-1992	O ring 40.0x3.55G	2	100	GB/T91-1986	Pin 3.2x22	2
91	184.31.183	Bush	1	101	184.31.018	Transversal pull rod	1
92	254C-1.31.137	Stop bush	4	102	184.31.016	Breathing plug	1
93	254C-1.31.184	Front bracket	1	103	184.31.017	Right steering knockle	1
94	GB/T1152-1989	Oil cup M10x1	2	104	GB/T5783-1986	Bolt M10x25	4
95	254C-1.31.124	Front support	1	105	GB/T5783-1986	Bolt M8x16	4
96	184.31.127	Left knuckle arm	1	106	184.31.122	Adjusting shim	per needed
97	184.31.128	Right knuckle arm	1				

Brake Assembly



16.BRAKE AND OPERATION MECHANISM

No.	Code	Name	Qty.	No.	Code	Name	Qty.
	150.43.001-A	Brake and operation mechanism		21	150.43.012	Brake shoe	2
1	150.43.121	Brake case	2	22	150.43.123	Spring	4
2	GB/T93-1987	Washer 16	2	23	150.43.114	Gasket	2
3	GB/T6170-1986	Nut M16	2	24	150.21.105	Spring	1
4	GB/T5781-1986	Bolt M8x25	12	25	GB/T879-1986	Pin 8x40	2
5	GB/T93-1987	Washer 8	12	26	150. 43. 111	Left short arm	1
6	150.43.102	Brake arm	2	27	150. 43. 113	Shaft	1
7	150.43.122	Pin shaft	2	28	150. 43. 013-A	Left pedel	1
8	GB/T5781-1986	Bolt M8x16	2	29	150. 43. 126	Right spring	1
9	GB/T6170-1986	Nut M8	2	30	150. 43. 114-A	Right pedel	1
10	GB/T97.1-1985	Washer 8	5	31	150. 43. 112	Circlip	1
11	150.43.103A	Adjusting fork	2	32	GB/T894. 1-1986	Circlip 25	1
12	GB/T882-86	Pin shaft B8x28	3	33	GB/T1152-1979	Oil cup M10x1	1
13	GB/T91-1986	Pin 3.2x16	5	34	GB/T5781-1986	Bolt M6x20	2
14	GB/T3452.1-1992	O ring 15x2.65G	2	35	GB/T93-1987	Washer 6	2
15	150.43.124	Brake Cam	2	36	150.43.142	Brack switch plate	1
16	GB/T5782-1986	Bolt M12x25	2	37	150.43.110-1	Plate rod	1
17	150.43.104	Stop washer	2	38	150.43.107	Brake claw arm	1
18	150.43.101	Washer	2	39	150.43.108	Brake claw	1
19	150.43.105	Drum	2	40	150.43.109	Spring	1
20	150.43.106-1	Rod	2				

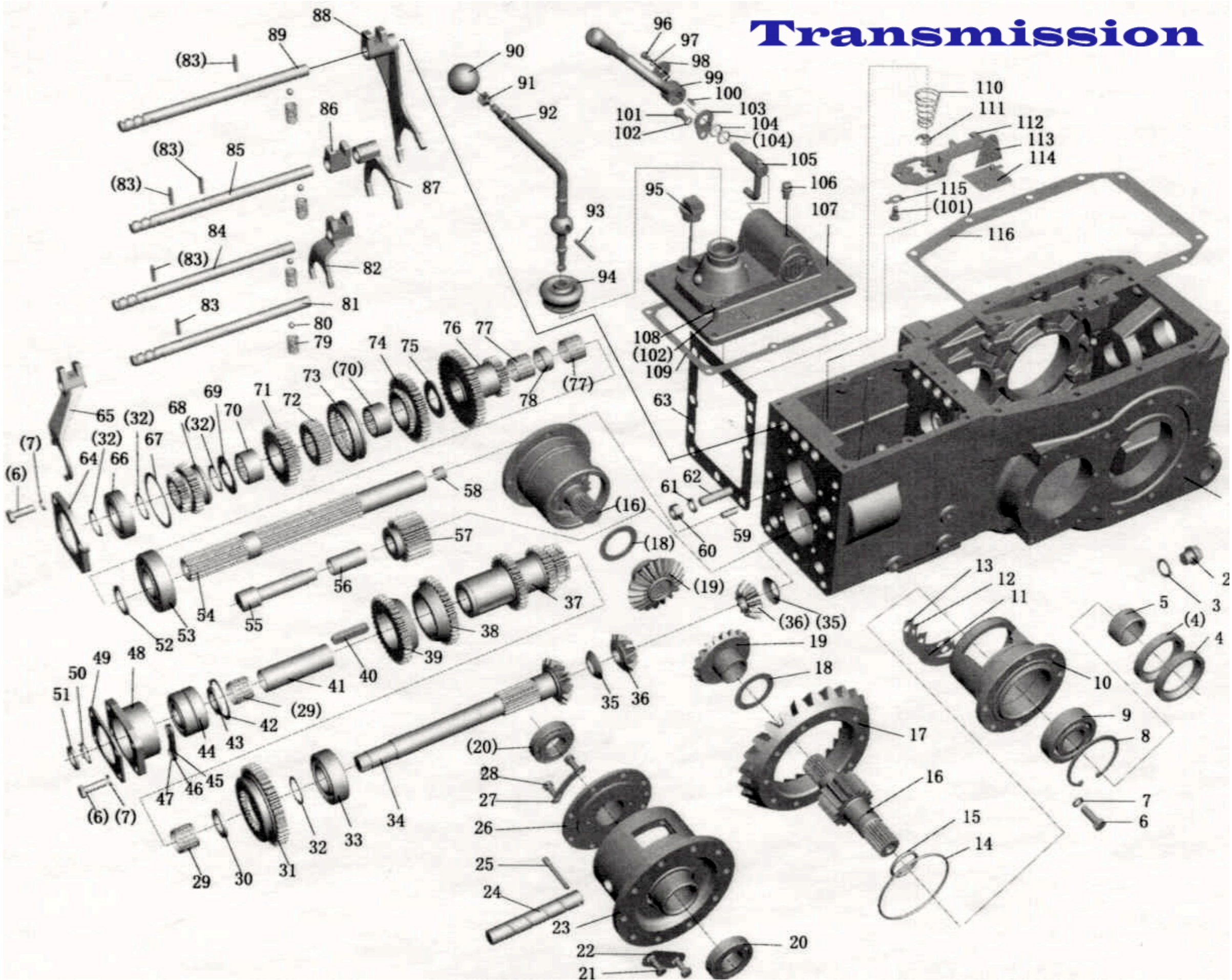
16.HYDRAULIC STEERING SYSTEM

No.	Code	Name	Qty.	No.	Code	Name	Qty.
42	GB/T5783-1986	Bolt M8x25	4	63	150D.55.015	Air plug	1
43	JK1A	Circlip	2	64	650.40.138	Breath pressure cover	1
44	254C-1.40.103	Oil suction pipe	1	65	650.40.139	Rubber washer A	1
45	JK000	Circlip	2	66	650.40.137	Spring	1
46	254C-1.40.104	Oil pipt	1	67	650.40.033	Filter	1
47	650.61.136	Hollow bolt	4	a	GB/T6170-1986	Nut M8	1
48	650.40.183	Washer	8	b	650.40.157	Filter cover	1
49	254C-1.40.139	Connector	3	c	GB/T97.1-1985	Washer 8	6
50				d	650.40.161	Shaft	1
51	BZZ1-63FKC-D30-15	Steering	1	e	650.40.160	Magnetic core	3
52	254C-1.40.140	Connector	1	f	GB/T119-1986	Pin C2x20	6
53	254C-1.40.023	Delivery pipe	1	g	GB/T119-1986	Pin B3x22	1
54	254C-1.40.132	Oil tank support plate	1	h	650.40.163	Cover	1
55	254C-1.40.017	Oil tank support frame	1	I	650.40.158	Outer skeleton	1
56	GB/T6170-1986	Nut M8	2	j	640.40.159	Inter skeleton	1
57	GB/T5781-1986	Bolt M8x25	2	k	650.40.156	Sheet	1
58	GB/T3081-1982	Steel wire I-1	as needed	l	650.40.162	Cleaner screen	1
59	254C-1.40.108	Soft pipe	1				
60	254C-1.40.018	Oil tank	1				
61	254C-1.40.127	Rubber plate	1				
62	254C-1.40.102	Oil tank fixed plate	1				

15.TRANSFER CASE ASSEMBLY

No.	Code	Name	Qty.	No.	Code	Name	Qty.
44	GB/T119-1986	Pin A10x22	2	51	GB3452.1-1992	O ring 12.5x1.8G	1
45	254C-1.42.014	Lever	1	52	GB/T93-1987	Washer 12	1
46	150.37.148	Locking spring	1	53	GB/T5783-1986	Bolt M12x20	1
47	GB308-1989	Steel ball 8.7312G400b	1	54	184.42.120	Placing plate	1
48	254C-1.42.119	Plate	1	55	GB/T897-1986	Pin 6x26	1
49	184.42.121	Fork lump	1	56	GB/T5783-1986	Bolt M8x16	1
50	184.42.122	Fork shaft	1				

Transmission



12.DRIVE GEARBOX

No.	Code	Name	Qty.	No.	Code	Name	Qty.
	254C-1.37.001	Drive gearbox assembly		22	150.37.195	Locking slice	5
1	254C-1.37.101	Transmission case	1	23	150.37.240-2	Differential case	1
2	254C-1.37.162	Bolt	1	24	150.37.198-3	Planet gear shaft	1
3	254C-1.37.163	Washer	1	25	150.37.201A-2	Bolt	1
4	GB/T9877.1-1988	Oil seal B05208008D	4	26	150.37.243-3	Differential cover	1
5	150.37.208-1	Seal sleeve	2	27	150.37.245	Locking slice (II)	4
6	GB/T5781-1986	Bolt M10x30	16	28	GB/T5783-1986	Bolt M8x20	8
7	GB/T93-1987	Washer 10	28	29	JB/T7918-1997	Bearing K28x33x27	2
8	GB/T893.1-1986	Circlip	2	30	150.37.104-1	Thrust ring	1
9	GB/T276-1994	Bearing 6307	2	31	220-1.37.103	High/low speed sliding gear	1
10	150.37.207A-1	Bearing seat	2	32	GB/T894.1-1986	Circlip 34	4
11	150.37.204	Adjusting shim	as needed	33	GB/T283-1994	Bearing NUP2207E	1
12	150.37.205	Adjusting shim	as needed	34	220-1.37.102	2nd shaft	1
13	150.37.206	Adjusting shim	as needed	35	150.37.199	Washer	2
14	GB3452.1-1992	O ring 103x3.55G	2	36	150.37.200	Planet gear	2
15	GB3452.1-1992	O ring 28.0x3.55G	2	37	220-1.37.106	III-IV speed gear	1
16	220-1.37.209	Final driving gear	2	38	220-1.37.119	I speed gear	1
17	150.37.196	Spiral bevel gear	1	39	220-1.37.120	II speed gear	1
18	150.37.244	Washer (II)	2	40	GB/T1096-1979	Key 14x56	1
19	150.37.202	Differential side gear	2	41	220-1.37.105	Long partition bush	1
20	GB/T297-1994	Bearing 32011	2	42	GB/T894.1-1986	Circlip 55	1
21	GB/T5786-1986	Bolt M10x1.25x20	10	43	220-1.37.110	Thrust ring	1

12.DRIVE GEARBOX

No.	Code	Name	Qty.	No.	Code	Name	Qty.
44	GB/T292-1994	Bearing 7305B	2	66	GB/T276-1994	Bearing 6207N	1
45	150.37.122	Adjusting shim	as needed	67	GB/T305-1998	Thrust ring	1
46	150.37.123	Adjusting shim	as needed	68	220-1.37.130	I-II speed sliding gear	1
47	150.37.124	Adjusting shim	as needed	69	220-1.37.133	Gear circlip	1
48	220-1.37.121	Bearing seat	1	70	220-1.37.134	Gear slide bush	3
49	220-1.37.126	Bearing cover	1	71	220-1.37.144	III speed driving gear	1
50	GB/T858-1988	Washer 24	1	72	220-1.37.135	Meshing sleeve seat	2
51	GB/T812-1988	Nut M24x1.5	1	73	220-1.37.136	Meshing sleeve	2
52	220-1.37.147	Ring	1	74	220-1.37.137	IV speed driving gear	1
53	GB/T283-1994	Bearing NJ206E	1	75	220-1.37.138	Circlip	1
54	220-1.37.132	Ist gear	1	76	220-1.37.146	High/low speed gear	1
55	220-1.37.111	Reverse shaft	1	77	JB/T7981-1997	Bearing K30x35x27	2
56	220-1.37.109	Bush	1	78	220-1.37.139	Short partition bush	1
57	220-1.37.108	Reverse gear	1	79	150.37.148	Locking spring	4
58	JB/T7981-1997	Bearing K20x24x17	1	80	GB/T308-1989	Steel ball 8.7312G400b	5
59	GB/T119-1986	Pin A10x26	2	81	220-1.37.190	Fork shaft	1
60	GB/T6171-1986	Nut M14x1.5	7	82	220-1.37.131	Fork	1
61	GB/T93-1987	Washer 14	7	83	GB/T879-1986	Pin 5x26	6

62	GB/T898-1988	Bolt AM14-M14x1.5x35	7	84	220-1.37.186	Fork shaft	1
63	150.37.129	Gasket	1	85	220-1.37.187	Fork shaft	1
64	220-1.37.128	Bearing cover	1	86	220-1.37.142	Shift lump	1
65	220-1.37.118	Fork	1	87	220-1.37.143	Fork	1

12.DRIVE GEARBOX

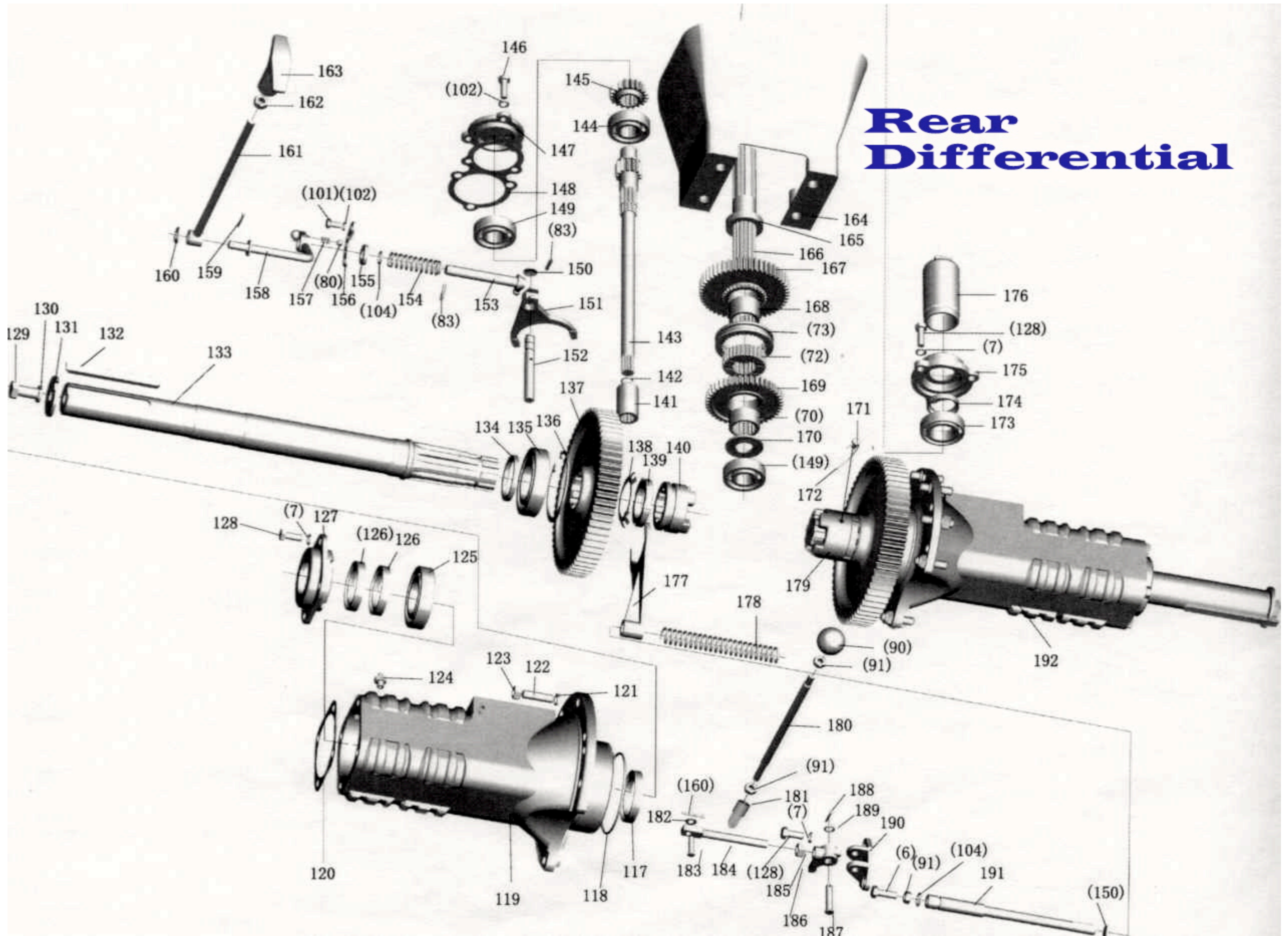
No.	Code	Name	Qty.	No.	Code	Name	Qty.
88	220-1.37.145	Fork	1	110	150. 37. 183	Spring	1
89	220-1.37.188	Fork shaft	1	111	150. 37. 184	Spring Circlip	1
90	150.37.020	Knob	2	112	220-1. 37. 185-1	Shift guide plate	1
91	GB/T6170-1986	Nut M10	4	113	150. 37. 192	Screen filter (I)	1
92	150.37.180-A	Selector lever	1	114	150. 37. 193	Screen filter (II)	1
93	GB/T119-1986	Pin B6x45	1	115	GB/T854-1988	Washer 8	3
94	150.37.181	Sealing cap	1	116	150. 37. 150	Gasket	1
95	220-1.37.018	Dipstick	1	117	GB/T9877.1-1988	Oil seal B05507508D	2
96	GB/T5781-1986	Bolt M6x12	1	118	GB/T3452.1-1992	O ring 112x3.55G	2
97	GB/T93-1987	Washer 6	1	119	240-1.37.217	R-driving shaft housing	1
98	150.37.250	Washer	1	120	150. 37. 213	Gasket	2
99	254C-1.37.024	Sub-shaft lever	1	121	GB/T93-1987	Washer 12	16
100	GB/T1096-1979	Key C5x16	1	122	GB/T898-1988	Bolt AM12-M12x1.25x35	16
101	GB/T5781-1986	Bolt M8x16	6	123	GB/T6171-1986	Nut M12x1.25	17
102	GB/T93-1987	Washer 8	12	124	GB/T1152-1989	Oil cup M10x1	2
103	150.37.191	Pressure plate	1	125	GB/T276-1994	Bearing 6210	2
104	GB/T3452.1-1992	O ring 15.0x2.65G	4	126	GB/T9877.1-1988	Oil seal B05007208D	4

105	150.37.025-1	Sub-shift lever	1	127	150. 37. 214	Bearing cover	2
106	150D.55.015	Air plug	1	128	GB/T5781-1986	Bolt M10x25	13
107	220-1.37.182-1	Cover	1	129	GB/T5781-1986	Bolt M16x35	2
108	GB/T5781-1986	Bolt M8x25	6	130	GB/T93-1987	Washer 16	2
109	150. 37. 175	Gasket	1	131	150. 37. 216	Circlip	2

12.DRIVE GEARBOX

No.	Code	Name	Qty.	No.	Code	Name	Qty.
132	254C-1. 37. 215	Flat key	2	154	220-1. 37. 168	Spring	1
133	240-1.37.212	Driving shaft	2	155	220-1. 37. 174	Washer	1
134	150. 37. 218	Bearing circlip	2	156	220-1. 37. 169	Check slice	1
135	GB/T276-1994	Bearing 6211	2	157	220-1. 37. 173	Check spring	1
136	GB/T893.1-1986	Circlip 100	2	158	254C-1. 37. 017	Released rod	1
137	220-1. 37. 210	Final driven gear	2	159	GB/T91-1986	Pin 3.2x24	2
138	GB/T858-1988	Washer 52	2	160	GB/T97. 1-1985	Washer 12	1
139	GB/T812-1988	Nut M52x1.5	2	161	254C-1. 37. 027	Joy stick weldment	1
140	150. 37. 221-3	Right claw	1	162	GB/T6171-1986	Nut M12x1.5	1
141	220-1. 37. 149	Spline sleeve	1	163	650.38.018	Handle	1
142	GB/T893.1-1986	Circlip 17	1	164	220-1. 37. 025	PTO shaft guard	1
143	220-1. 37. 153	Low speed gear for PTO shaft	1	165	220-1. 37. 161	Rear washer	1
144	GB/T276-1994	Bearing 6205	1	166	220-1. 37. 158	PTO shaft	1
145	220-1. 37. 156	High speed gear for PTO shaft	1	167	220-1. 37. 157	Low speed driven gear	1
146	GB/T5781-1986	Bolt M8x20	3	168	220-1. 37. 141	Slide sleeve	1

Rear Differential



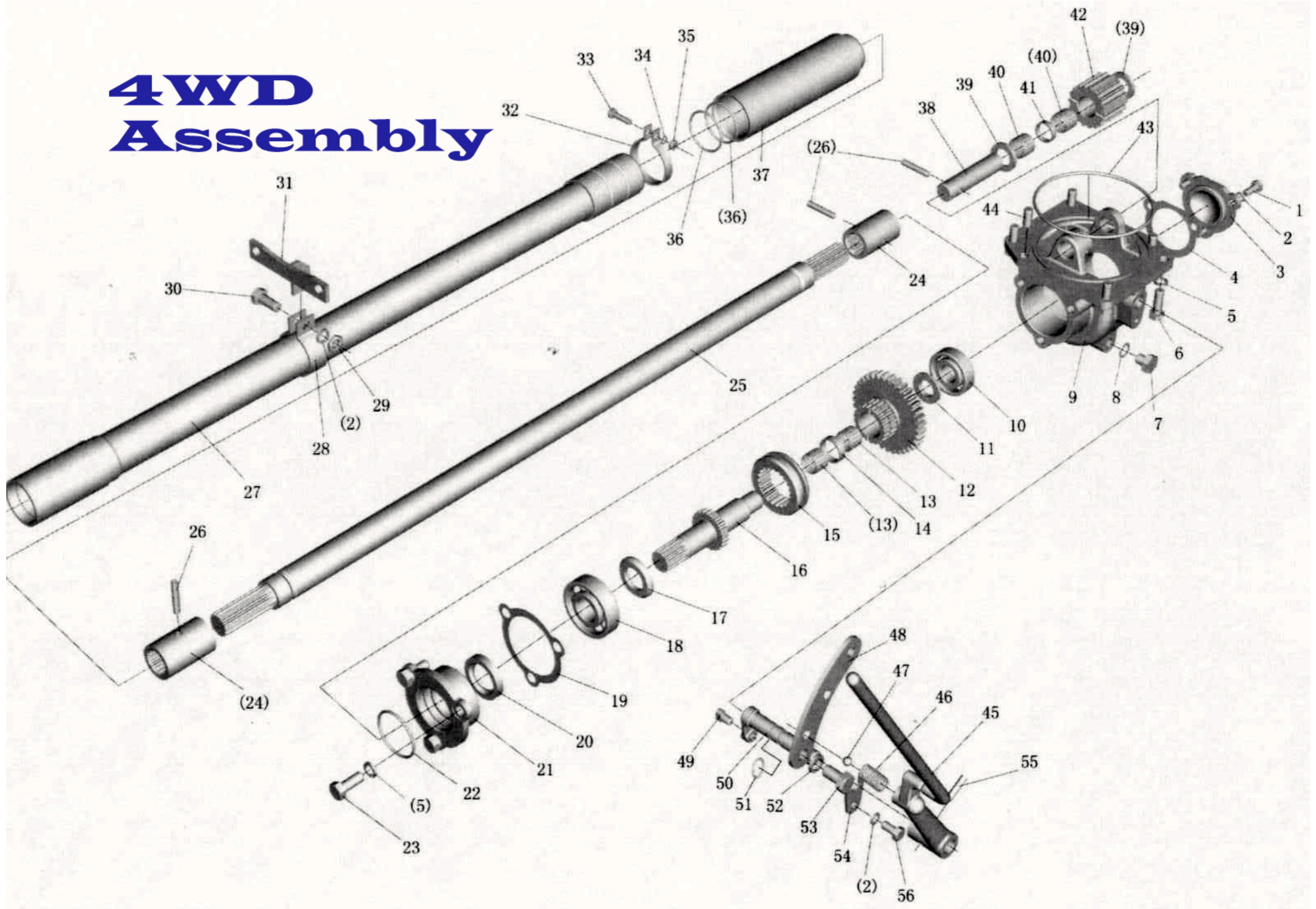
DRIVE GEARBOX

No.	Code	Name	Qty.
88	220-1.37.145	Fork	1
89	220-1.37.188	Fork shaft	1
90	150.37.020	Knob	2
91	GB/T6170-1986	Nut M10	4
92	150.37.180-A	Selector lever	1
93	GB/T119-1986	Pin B6x45	1
94	150.37.181	Sealing cap	1
95	220-1.37.018	Dipstick	1
96	GB/T5781-1986	Bolt M6x12	1
97	GB/T93-1987	Washer 6	1
98	150.37.250	Washer	1
99	254C-1.37.024	Sub-shaft lever	1
100	GB/T1096-1979	Key C5x16	1
101	GB/T5781-1986	Bolt M8x16	6
102	GB/T93-1987	Washer 8	12
103	150.37.191	Pressure plate	1
104	GB/T3452.1-1992	O ring 15.0x2.65G	4
105	150.37.025-1	Sub-shift lever	1
106	150D.55.015	Air plug	1
107	220-1.37.182-1	Cover	1
108	GB/T5781-1986	Bolt M8x25	6
109	150.37.175	Gasket	1
110	150.37.183	Spring	1
111	150.37.184	Spring Circlip	1
112	220-1.37.185-1	Shift guide plate	1
113	150.37.192	Screen filter (I)	1
114	150.37.193	Screen filter (II)	1
115	GB/T854-1988	Washer 8	3
116	150.37.150	Gasket	1
117	GB/T9877.1-1988	Oil seal B05507508D	2
118	GB/T3452.1-1992	O ring 112x3.55G	2
119	240-1.37.217	R-driving shaft housing	1
120	150.37.213	Gasket	2
121	GB/T93-1987	Washer 12	16
122	GB/T898-1988	Bolt AM12-M12x1.25x35	16
123	GB/T6171-1986	Nut M12x1.25	17
124	GB/T1152-1989	Oil cup M10x1	2
125	GB/T276-1994	Bearing 6210	2
126	GB/T9877.1-1988	Oil seal B05007208D	4
127	150.37.214	Bearing cover	2
128	GB/T5781-1986	Bolt M10x25	13

129	GB/T5781-1986	Bolt M16x35	2
130	GB/T93-1987	Washer 16	2
131	150. 37. 216	Circlip	2
132	254C-1. 37. 215	Flat key	2
133	240-1.37.212	Driving shaft	2
134	150. 37. 218	Bearing circlip	2
135	GB/T276-1994	Bearing 6211	2
136	GB/T893.1-1986	Circlip 100	2
137	220-1. 37. 210	Final driven gear	2
138	GB/T858-1988	Washer 52	2
139	GB/T812-1988	Nut M52x1.5	2
140	150. 37. 221-3	Right claw	1
141	220-1. 37. 149	Spline sleeve	1
142	GB/T893.1-1986	Circlip 17	1
143	220-1. 37. 153	Low speed gear for PTO sha	1
144	GB/T276-1994	Bearing 6205	1
145	220-1. 37. 156	High speed gear for PTO sha	1
146	GB/T5781-1986	Bolt M8x20	3
147	220-1. 37. 155	Bearing cover	1
148	220-1. 37. 154	Gasket	1
149	GB/T276-1994	Bearing 6305	2
150	150. 37. 232	Plugging shaft	2
151	220-1. 37. 166	Fork for PTO shaft	1
152	220-1. 37. 189	Fork shaft for PTO shaft	1
153	220-1. 37. 167	Fork lump	1
154	220-1. 37. 168	Spring	1
155	220-1. 37. 174	Washer	1
156	220-1. 37. 169	Check slice	1
157	220-1. 37. 173	Check spring	1
158	254C-1. 37. 017	Released rod	1
159	GB/T91-1986	Pin 3.2x24	2
160	GB/T97. 1-1985	Washer 12	1
161	254C-1. 37. 027	Joy stick weldment	1
162	GB/T6171-1986	Nut M12x1.5	1
163	650.38.018	Handle	1
164	220-1. 37. 025	PTO shaft guard	1
165	220-1. 38. 161	Rear washer	1
166	220-1. 39. 158	PTO shaft	1
167	220-1. 40. 157	Low speed driven gear	1
168	220-1. 41. 141	Slide sleeve	1
169	220-1. 42. 152	High speed driven gear	1
170	220-1. 43. 151	Front washer	1
171	150. 37. 224	Locking bolt	1

172	GB/T343-1994	Steel wire ϕ 1.6x240	1
173	GB/T276-1994	Bearing 6207	1
174	GB/T9877.1-1988	Oil seal FB03505508D	1
175	150. 37. 160	Bearing cover	1
176	150D.37.408-1	PTO shaft cover	1
177	150. 37. 222	Fork	1
178	150. 37. 223	Spring	1
179	150. 37. 225-4	Left claw	1
180	254C-1. 37. 253	Joy stick	1
181	12.30.104	Right rod joint	1
182	GB/T97.1-1985	Washer 8	1
183	GB/T882-1986	Pin shaft B8x28	1
184	254C-1. 37. 230	Link rod	1
185	GB/T6170-1986	Nut M 12	1
186	150. 37. 229	Lever	1
187	GB/T882-1986	Pin shaft B10x45	1
188	GB/T91-1986	Pin 3.2x16	1
189	GB/T97.1-1985	Washer 10	1
190	150. 37. 228	Seat	1
191	150. 37. 227-2	Fork shaft	1
192	240-1.37.226	Left driving shaft housing	1

4WD Assembly



SEAT ASSEMBLY

No.	Code	Name	Qty.	No.	Code	Name	Qty.
	254C-1.44.001	Seat Assembly		7	180.44.107	Pin shaft	1
1	254C-1.44.014-2	Seat	1	8	GB/T91-1986	Pin 3.22	2
2	180.44.01-1	Spring seat	2	9	GB/T97.1-1985	Washer 10	2
3	180.44.103	Spring	2	10	254C-1.44.020	Upper support	1
4	GB/T5781-1986	Bolt M8x20	4	11	254C-1.44.011	Lower support	1
5	GB/T93-1987	Washer 8	4	12	GB/T93-1987	Washer 10	2
6	180.44.013-1	Support plate	1	13	GB/T5781-1986	Bolt M10x20	2

ROLL BAR

No.	Code	Name	Qty.	No.	Code	Name	Qty.
	254C-1.46.001	Roll bar assembly					
1	GB/T5782-1986	Bolt M12x100	2				
2	GB/T93-1987	Washer 12	4				
3	GB/T6170-1986	Nut M12	4				
4	254C-1.46.011	Roll bar	1				
5	GB/T5782-1986	Bolt m12x70	2				

19.SUN SHED

No.	Code	Name	Qty.	No.	Code	Name	Qty.
	254C-1.46.002	Sun shed assembly		5	GB/T5780-1986	Bolt M12x65	4
1	254C-1.46.021	Shed	1	6	GB/T93-1987	Washer 12	8
2	GB/T5780-986	Bolt M12x35	4	7	GB/T6170-1986	Nut M12	8
3	GB/T97.1-1985	Washer 12	4	8	254C-1.46.202	Left plate	1
4	254C-1.46.203	Right plate	1				

20.HOOD AND PANEL

No.	Code	Name	Qty.	No.	Code	Name	Qty.
	254C-1.47.001	Hood and panel assembly		21	GB/T97.1-1985	Washer 8	16
1	GB/T5781-1986	Bolt M8x20	22	24	254C-1.47.129	Right rear plate	1
2	GB/T93-1987	Washer 8	34	25	254C-1.47.133	Left rear plate	1
3	254C-1.47.018	Front cover	1	27	254C-1.47.025	Left gridding weldment	1
4	254C-1.47.215	Mark plate	1	28	254C-1.47.023	Left side plate	1
5	GB/T6170-1986	Nut M8	16	29	GB/T96-1985	Washer 6	8
6	GB/T6170-1986	Nut M6	22	30	254C-1.47.203	Little wind plate	2
7	GB/T93-1987	Washer 6	26	31	254C-1.47.011	Panel	1
8	GB/T67-1985	Bolt M6x16	16	32	254C-1.47.107	Rubber ring	1
9	254C-1.47.022	Right side plate	1	33	254C-1.47.017	Lock wire	1
10	254C-1.47.032	Hood	1	34	GB/T97.1-1985	Washer 6	6
11	254C-1.47.114	Support	1	35	254C-1.47.104	Switch support plate	1
12	254C-1.47.024	Right gridding weldment	1				
13	254C-1.47.115	Pin	1				
14	GB/T5781-1986	Bolt M6x16	3				
15	254C-1.47.138	Lamp support	1				
16	254C-1.47.014	Lock	1				
17	254C-1.47.026	Support weldment	1				
18	254C-1.47.152	Washer	2				
19	GB/T93-1987	Washer 10	2				
20	GB/T5781-1986	Bolt M10x55	2				

21.MUD SHIELD

No.	Code	Name	Qty.	No.	Code	Name	Qty.
	254C-1.47.002/003	Left/right mud shield		9	254C-1.47.071	Left mud shield	1
1	254C-1.47.075	Handle	2	10	GB/T6170-1986	Nut M6	4
2	254C-1.47.301	Plate	2	11	GB/T97.1-1985	Washer 6	4
3	GB/T97.1-1985	Washer 8	4	12	GB/T93-1987	Washer 6	4
4	GB/T93-1987	Washer 8	6	13	GB/T5781-1986	Bolt M6x20	4
5	GB/T6170-1986	Nut M8	6	14	GB901-88	Bolt M12x200	4
6	180.47.206A	Bolt	8	15	GB/T5781-1986	Bolt M8x20	2
7	GB/T93-1987	Washer 12	12	16	254C-1.47.303	Rear lamp seat	1
8	GB/T6170-1986	Nut M12	12	17	254C-1.47.081	Right mud shield	1

22.STEP PLATE

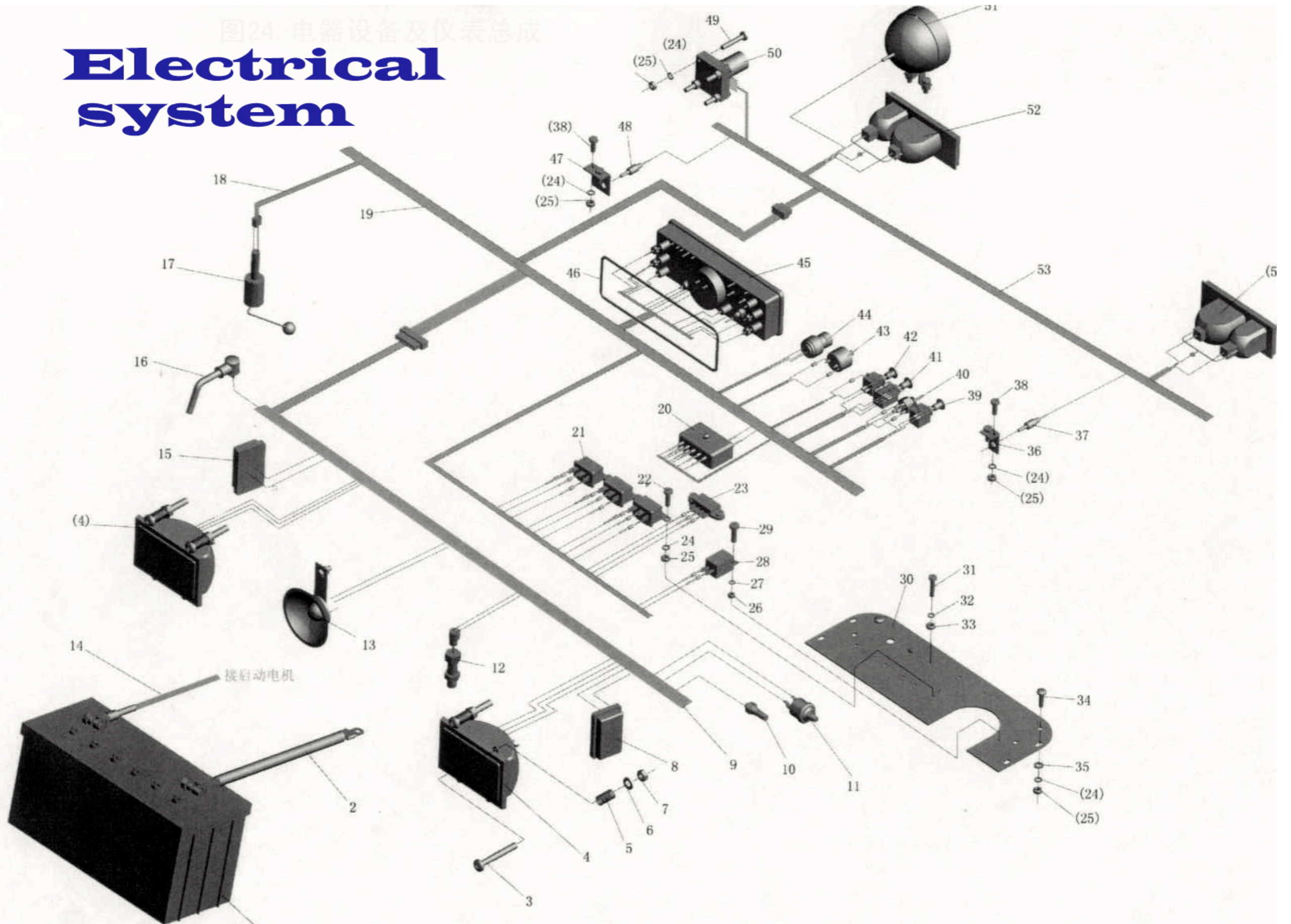
No.	Code	Name	Qty.	No.	Code	Name	Qty.
	254C-1.47.004/005	Left/right step plate		8	254C-1.47.041	Left step plate	1
1	254C-1.47.406	Place restrict plate	1	9	254C-1.47.051	Right step plate	1
2	GB/T6170-1986	Nut M6	2	10	254C-1.47.052	Right support	1
3	GB/T93-1987	Washer 10	4	11	GB/T5781-1986	Bolt M8x25	4
4	GB/T5781-1986	Bolt M10x20	4	12	GB/T97.1-1985	Washer 8	4
5	GB/T97.1-1985	Washer 6	2	13	GB/T6170-1986	Nut M8	4
6	GB/T93-1987	Washer 6	2	14	GB/T93-1987	Washer 8	4
7	GB/T5781-1986	Bolt M6x16	2	15	254C-1.47.042	Left support	1

23.UPPER COVER

No.	Code	Name	Qty.	No.	Code	Name	Qty.
	254C-1.47.006	Upper cover assembly		12	254C-1.47.064	Plug support weldment	1
1	GB/T6170-1986	Nut M8	2	13	GB/T867-1986	Rivet 2x5	8
2	GB/T93-1987	Washer 8	4	14	254C-1.47.617	Transfer case shift nameplate	1
3	254C-1.47.062	Support plate weldment	1	15	254C-1.47.601	Gear box cover	1
4	650.45.127	Seal sleeve	2	16	254C-1.47.618	Creeper shift nameplate	1
5	650.45.128	Seal cover	2	17	254C-1.47.063	Front cover weldment	1
6	GB/T822-1988	Bolt M6X16	18	18	254C-1.47.615	Tractor shift nameplate	1
7	GB/T93-1987	Washer 6	26	19	254C-1.47.065	Cover weldment	1
8	GB/T97.1-1985	Washer 6	26	20	650.47.108	Rubber nail -I	2
9	GB/T5781-1986	Bolt M8x20	4	21	GB/T5781-1986	Bolt M6x20	8
10	GB/T97.1-1985	Washer 8	4				
11	254C-1.47.061	Rear cover weldment	1				

图24. 电器设备及仪表总成

Electrical system



ELECTRIC FACILITIES AND INSTRUMENTS

No.	Code	Name	Qty.	No.	Code	Name	Qty.
	254C-1.48.001	Electric facilities and instruments assembly		27	GB/T93-1987	Washer 5	1
1	6-QAW-100	Battery	1	28	SG152T	Flasher	1
2	254C-1.48.020	Battery wire	1	29	GB/T67-1985	Bolt M5x16	1
3	GB.T818-1985	Bolt M8x60	6	30	254C-1. 48. 101	Electric facilities plate	1
4	650.48.WG024	Head lamp	2	31	GB/T67-1985	Bolt M4x20	2
5	650.48.110	Spring	6	32	GB/T93-1987	Washer 4	2
6	GB/T97.1-1985	Washer 8	6	33	GB/T6170-1986	Nut M4	2
7	GB/T6170-1986	Nut M8	6	34	GB/T818-1985	Bold M6x20	2
8	150D.48.022	Left direction light	1	35	GB/T97.1-1985	Washer 6	5
9	650.48.016	Front wire assembly	1	36	180.48.139	Start protector support	1
10	650.48.WG028	Water temperature plug	1	37	JK231B	Safe start switch	1
11	650.48.WG029	Oil pressure plug	1	38	GB/T5781-1986	Bolt M6x16	4
12	650.48.WG021	Electric speed plug	1	39	JK115	Emergency light switch	1
13	DL125	Horn	1	40	JK812	Signal light switch	1
14	254C-1.48.019	Starter cable	1	41	JK107	Switch	1
15	150D.48.021	Right direction light	1	42	JK106	Switch	1
16	1065	Preheater	3	43	JK260	Horn button	1
17		Oil tank oil line annunciator	1	44	JK424A	Switch	1
18	254C-1.48.018	Wire for annunciator	2	45	650.48.WG014	combined instrument	1
19	254C-1.48.015	Wires for instrument plate	1	46	650.48.839	Gasket	1
20	BX505	Fuse box	1	47	254C-1.48.133	Brake switch support	1
21	JQ1	Starter relay	3	48	JK234A	Brake switch	1
22	GB/T67-1985	Bolt M6x20	8	49	GB818-1985	Bolt M6x35	3
23	JBT1429	Regulator	1	50	12N	Linker	1
24	GB/T93-1987	Washer 6	17	51	WD115-2	Rear lamp	1
25	GB/T6170-1986	Nut M6	15	52	180.48.020	Combined rear lamp	2
26	GB/T6170-1986	Nut M5	1	53	254C-1.48.017	Rear wires	1

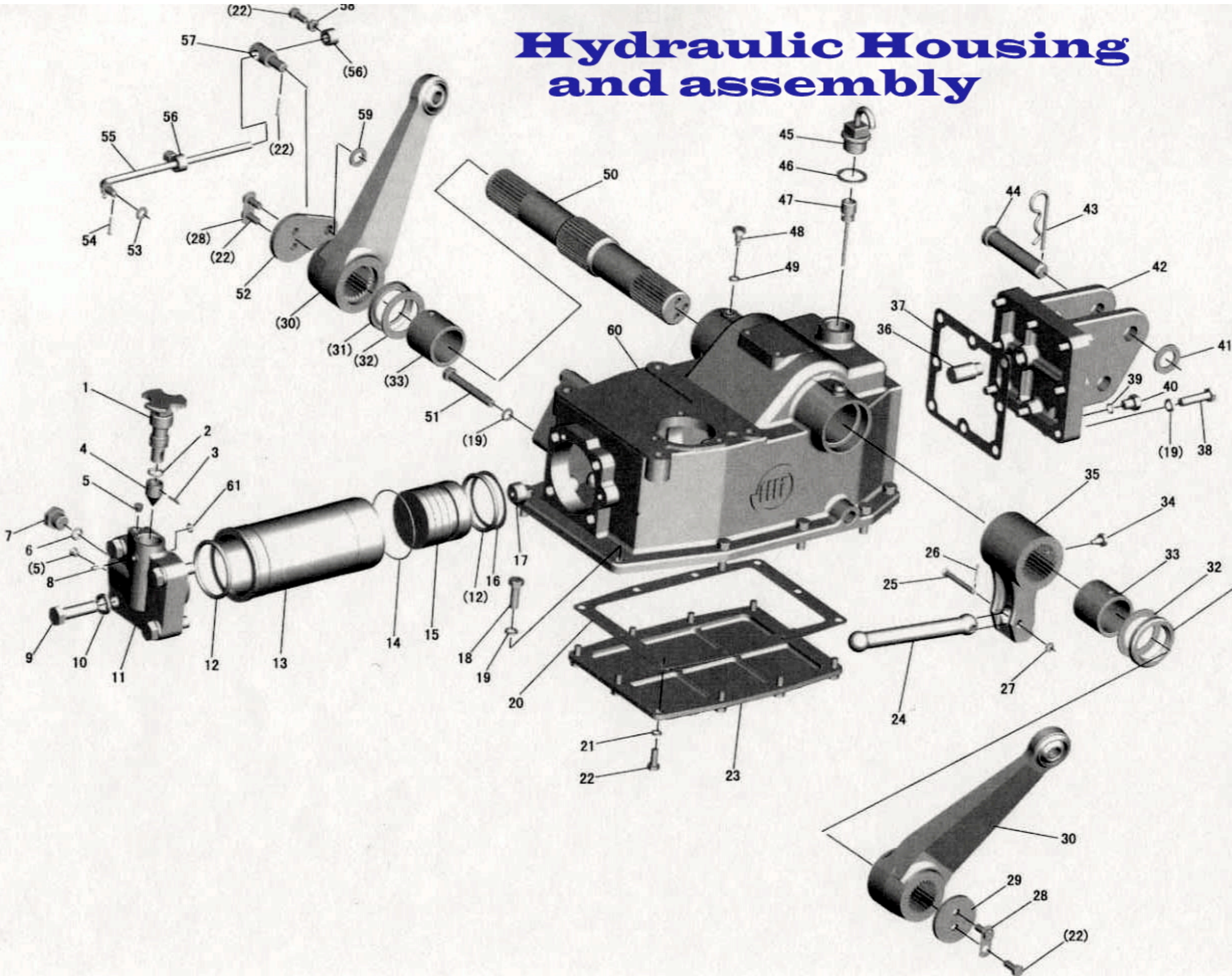
25.FUEL TANK

No.	Code	Name	Qty.	No.	Code	Name	Qty.
	254C-1.50.001	Fuel tank assembly		13	254C-1.50.017	Out-let fuel pipe	1
1	254C-1.50.014	Fixing band	1	14	GB/T93-1987	Washer 10	8
2	180.50.102	Cushion	1	15	GB/T5781-1986	Bolt M10x20	6
3	254C-1.50.011	Fuel tank weldment	1	16	180.50.108	Bolt M12x1.25	1
4	254C-1.50.124	Air tube	1	17	180.50.109-1	Washer 12	2
5	180.50.014	Cover	1	18	180.50.017	Sediment cup assembly	1
6	180.50.015	Screen	1	19	GB/T6170-1986	Nut M10	4
7	254C-1.50.106	Rubber washer	2	20	GB/T5781-1986	Bolt M8x25	4
8	254C-1.50.013	Support plate	1	21	GB/T93-1987	Washer 8	4
9	254C-1.50.107	Washer	1	22	254C-1.50.016	Right rear support	1
10	180.50.107	Drain plug	1	23	254C-1.50.015	Left rear support	1
11	254C-1.50.123	Front support	1	24	254C-1.50.126	Rear plate support	1
12	JK-0	Circlip	1	25	GB/T97.1-1985	Washer 10	4

27.PUMP AND PIPE

No.	Code	Name	Qty.	No.	Code	Name	Qty.
	254C-1.54.001	Pump and pipe assembly		16	180.54.101	Cover	1
1	180.54.257	Hollow bolt	2	17	150.54.110	Gasket	1
2	180.54.255	Washer	4	18	GB3452.1-1992	O ring 20x2.65G	1
3	GB/T5781-1986	Bolt M8x20	6	19	180.54.014	Oil pipe for filter	1
4	GB/T93-1987	Washer 8	14	20	180.54.208	Rubber washer	2
5	254C-1.54.121	Connector	2		180.54.202	Screen skeleton	1
6	GB3452.1-1992	O ring 20x1.8G	2	21	180.54.203	Cleaner screen	1
7	254C-1.54.104	Washer	1		180.54.204	Screen weldment	1
8	CBT-E306FBL	Gear pump (left)	1	22	180.54.206	Lower cover	1
9	254C-1.54.020	Long bolt	1	23	GB/T93-1987	Washer 6	1
10	GB/T5781-1986	Bolt M8x30	4	24	GB/T5781-1986	Bolt M6x12	1
11	254C-1.54.012	Delievery pipe	1	25	254C-1.54.129	Support	1
12	150.54.107	Washer	2	26	GB/T6170-1986	Nut M8	1
13	150.54.108	Hollow bolt	1	27	254C-1.54.131	Rubber plate	2
14	GB/T5781-1986	Bolt M8x25	3	28	254C-1.54.130	Pressure plate	1
15	254C-1.54.011	Connective pipe	1	29	180.54.010	Filter	1

Hydraulic Housing and assembly



28.HYDRAULIC POWER LIFT

No.	Code	Name	Qty.	No.	Code	Name	Qty.
	240-1.55.001-1	Hydraulic power lift		24	150.55.132	Piston rod	1
1	150.55.023	Spool rod	1	25	GB/T882-1986	Pin shaft B6x55	1
2	GB3452.1-1992	O ring 18x2.65G	1	26	GB/T91-1986	Pin 2x16	1
3	GB/T119-1986	Pin A3x20	1	27	GB/T97.1-1985	Washer 6	1
4	150.55.154	Adjusting valve	1	28	150.55.111	Washer	2
5	150.55.127	Plug R1/8	2	29	150.55.109	Plate	1
6	GB3452.1-1992	O ring 13.2x2.65G	1	30	240-1.55.013	Lift arm assembly	2
7	150.55.129	Plug	1	31	GB9877.1-88	Oil seal PD 42x62x10	2
8	GB/T829-1988	Screw M5x6x4	1	32	150.55.114	Sealing leaf	2
9	GB/T5782-1986	Bolt M14x50	4	33	150.55.106	Bush	2
10	GB/T93-1987	Washer 14	4	34	GB/T882-1986	Screw M8x8x6	1
11	240-1.55.126-1	Cylinder cap	1	35	240-1.55.133	Inner arm	1
12	GB3452.1-1992	O ring 60x3.5G	2	36	150.55.141	Stop pin	1
13	240-1.55.102	Cylinder	1	37	150.43.117	Rear cover gasket	1
14	240-1.55.112	O ring 80x1.8G	1	38	GB/T5780-1986	Bolt M10x40	8
15	240-1.55.130	Piston	1	39	GB3452.1-1992	O ring 9x1.8G	1
16	240-1.55.161	Bolt M10x30	1	40	150.55.108	Drain plug	1
17	150.55.131-1	Piston ball seat	1	41	GB/T97.1-1985	Washer 20	1
18	GB/T5781-1986	Bolt M10x30	10	42	240-1.55.140	Rear cover	1
19	GB/T93-1987	Washer 10	21	43	150.31.105	Stop pin	1
20	150.55.116	Gasket	1	44	150.55.107	Link pin	1
21	GB/T93-1987	Washer 8	10	45	150.55.022	Vent plug	1
22	GB/T5781-1986	Bolt M8x20	16	46	150.55.104	Washer	1
23	150.55.115	Bottom cover	1	47	150.55.021-1	Oil dipstick	1

29.SUSPENSION MECHANISM

No.	Code	Name	Qty.	No.	Code	Name	Qty.
	240-1.56.001	Suspension mechanism		21	GB/T93-1987	Washer 16	2
1	150.56.118-1	Pin	1	22	150.56.134	Big Washer	2
2	150.56.014	Stop pin	2	23	240-1.56.102	Locating pin	2
3	240-1.56.019	Rear adjusting rod	1	24	240-1.56.020	Left lower rod	1
4	240-1.56.018	Thread pipe	1	25	150.56.033	Rear adjusting link	2
5	150.56.028	Locking nut	1	26	150.56.133	Adjusting sleeve	2
6	240-1.56.017	Front adjusting rod	1	27	240-1.56.029	Nut	2
7	240-1.56.016	Lower adjusting link	2	28	150.56.032	Front adjusting link	2
8	150.56.105	Thread pipe	2	29	150.56.126-A	Connecting ring	2
9	GB/T6171-1986	Nut M18x1.5	2	30	GB/T91-1986	Pin 3.2x16	2
10	GB/T91-1986	Pin 4x25	4	31	GB/T882-1986	Pin shaft 10x45	2
11	150.56.101	Lift rod link pin	2	32	240-1.56.031	Plate	2
12	240-1.56.026	Upper adjusting rod	2	33	180.56.142	Spring	1
13	GB/T882-1986	Pin shaft 16x45	2	34	240-1.56.013	Right lower rod	1
14	240-1.56.117	Right plate	1				
15	240-1.56.116	Left plate	1				
16	GB/T93-1987	Washer 12	10				
17	GB/T5781-1986	Bolt M12x40	10				
18	240-1.56.111	Flat washer	2				
19	240-1.56.104	Stop pin	2				
20	GB/T6170-1986	Nut M16	2				

30.VALVE

No.	Code	Name	Qty.	No.	Code	Name	Qty.
	254C-1.57.001	Valve		24	18FP.57.108	Rear cover	1
1	150.55.118	Plug	1	25	GB/T308-1989	Steel ball 5.0000G10 b	1
2	GB3452.1-1992	O ring 15x2.65G	1	26	14FP.57.119	Spring	1
3	150.55.119/120/121	Adjusting shim	1 set	27	14FP.57.120	Plug	1
4	150.55.122	Spring	1	28	14FP.57.121	Washer	1
5	150.55.123	Relief valve	1	29	14FP.57.118	Spring seat	1
6	18FP.57.101	Valve seat	1	30	14FP.57.105	Pin	1
7	GB3452.1-1992	O ring 9x2.65G	2	31	GB/T5780-1986	Bolt M6x55	4
8	18FP.57.103	Front cover gasket	1	32	GB/T6170-1986	Nut M6	1
9	18FP.57.102	Front cover	1	33	GB/T97.1-1985	Washer 8	3
10	GB/T93-1987	Washer 5	4	34	254C-1.57.110	PLate	1
11	GB/T5781-1986	Bolt M5x16	4	35	GB/T93-1987	Washer 6	6
12	150.55.127	Bevel plug R1/8	1	36	GB/T5781-1986	Bolt M6x20	2
13	18FP.57.113	Sliding valve	1	37	18FP.57.109	Shaft	1
14	18FP.57.115	Stop plate	2	38	254C-1.57.012	Rod	1
15	18FP.57.114	Spring	1	39	GB/T91-1986	Pin 2.5x16	2
16	GB/T894-1986	Plate	1	40	GB/T6170-1986	Nut M8	1
17	18FP.57.104	Valve case	1	41	GB/93-1987	Washer 8	1
18	18FP.57.105	Gasket	1	42	254C-1.57.013	Locating plate	1
19	18FP.57.106	Plate	1	43	GB/T97.1-1985	Washer 10	2
20	18FP.57.107	Rear cover gasket	1	44	254C-1.57.011	Handle	1
21	GB/T68-1985	Screw M4x10	2	45	GB3452.1-1992	O ring 13.2x2.65A	1
22	GB/T894-1986	Circlip 4	1	46	GB3452.1-1992	O ring 19x2.65A	1
23	14FP.57.104	Locating lump	1				

147	220-1. 37. 155	Bearing cover	1	169	220-1. 37. 152	High speed driven gear	1
148	220-1. 37. 154	Gasket	1	170	220-1. 37. 151	Front washer	1
149	GB/T276-1994	Bearing 6305	2	171	150. 37. 224	Locking bolt	1
150	150. 37. 232	Plugging shaft	2	172	GB/T343-1994	Steel wire ϕ 1.6x240	1
151	220-1. 37. 166	Fork for PTO shaft	1	173	GB/T276-1994	Bearing 6207	1
152	220-1. 37. 189	Fork shaft for PTO shaft	1	174	GB/T9877.1-1988	Oil seal FB03505508D	1
153	220-1. 37. 167	Fork lump	1	175	150. 37. 160	Bearing cover	1

12.DRIVE GEARBOX

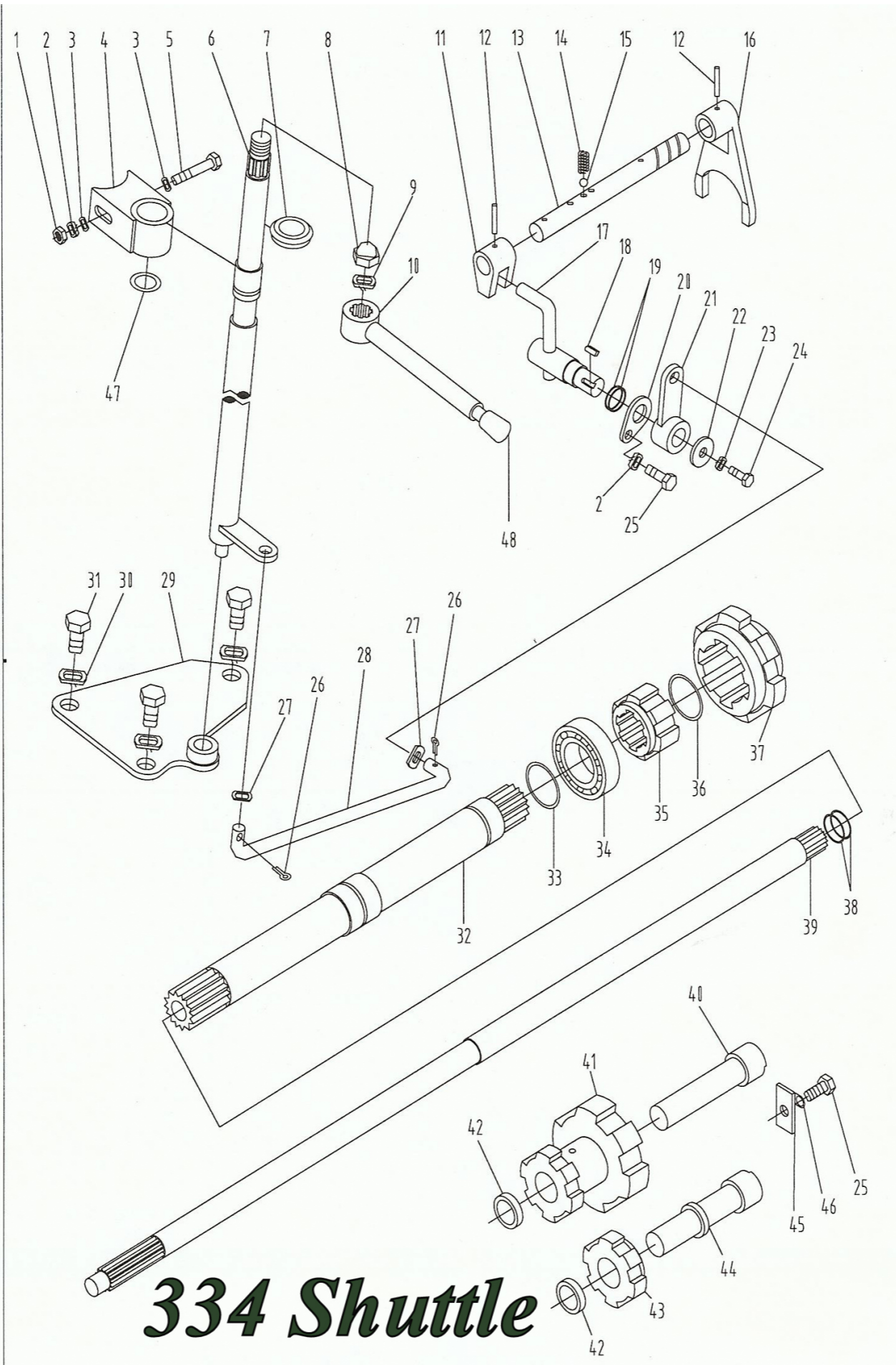
No.	Code	Name	Qty.	No.	Code	Name	Qty.
176	150D.37.408-1	PTO shaft cover	1	185	GB/T6170-1986	Nut M 12	1
177	150. 37. 222	Fork	1	186	150. 37. 229	Lever	1
178	150. 37. 223	Spring	1	187	GB/T882-1986	Pin shaft B10x45	1
179	150. 37. 225-4	Left claw	1	188	GB/T91-1986	Pin 3.2x16	1
180	254C-1. 37. 253	Joy stick	1	189	GB/T97.1-1985	Washer 10	1
181	12.30.104	Right rod joint	1	190	150. 37. 228	Seat	1
182	GB/T97.1-1985	Washer 8	1	191	150. 37. 227-2	Fork shaft	1
183	GB/T882-1986	Pin shaft B8x28	1	192	240-1.37.226	Left driving shaft housing	1
184	254C-1. 37. 230	Link rod	1				

HYDRAULIC TAKE-OFF

No.	Code	Name	Qty.	No.	Code	Name	Qty.
	180.61.001	Hydraulic take-off		5	GB/T5783-1986	Bolt M10x45	2
1	GB3452.1-1992	O ring 15x2.65G	2	6	GB/T8606-1988	Connector	1
2	180.61.101	Take-off pipe connector	2	7	180.61.110	Ring	1
3	180.61.010	Take-off pipe	1	8	180.61.109	Connecting wire	1
4	180.61.102	Support	1	9	180.61.108	Cover	1

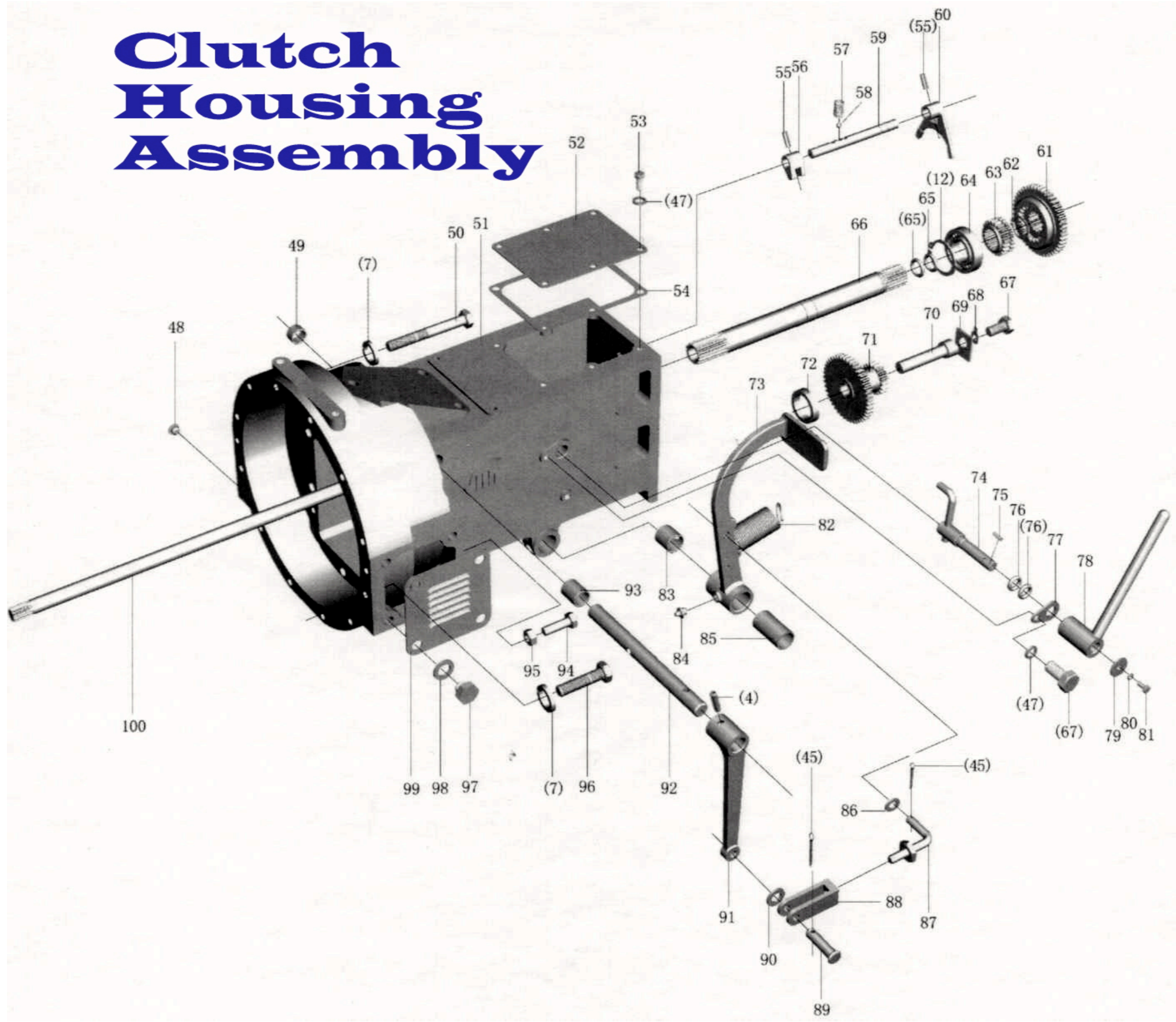
HYDRAULIC POWER LIFT

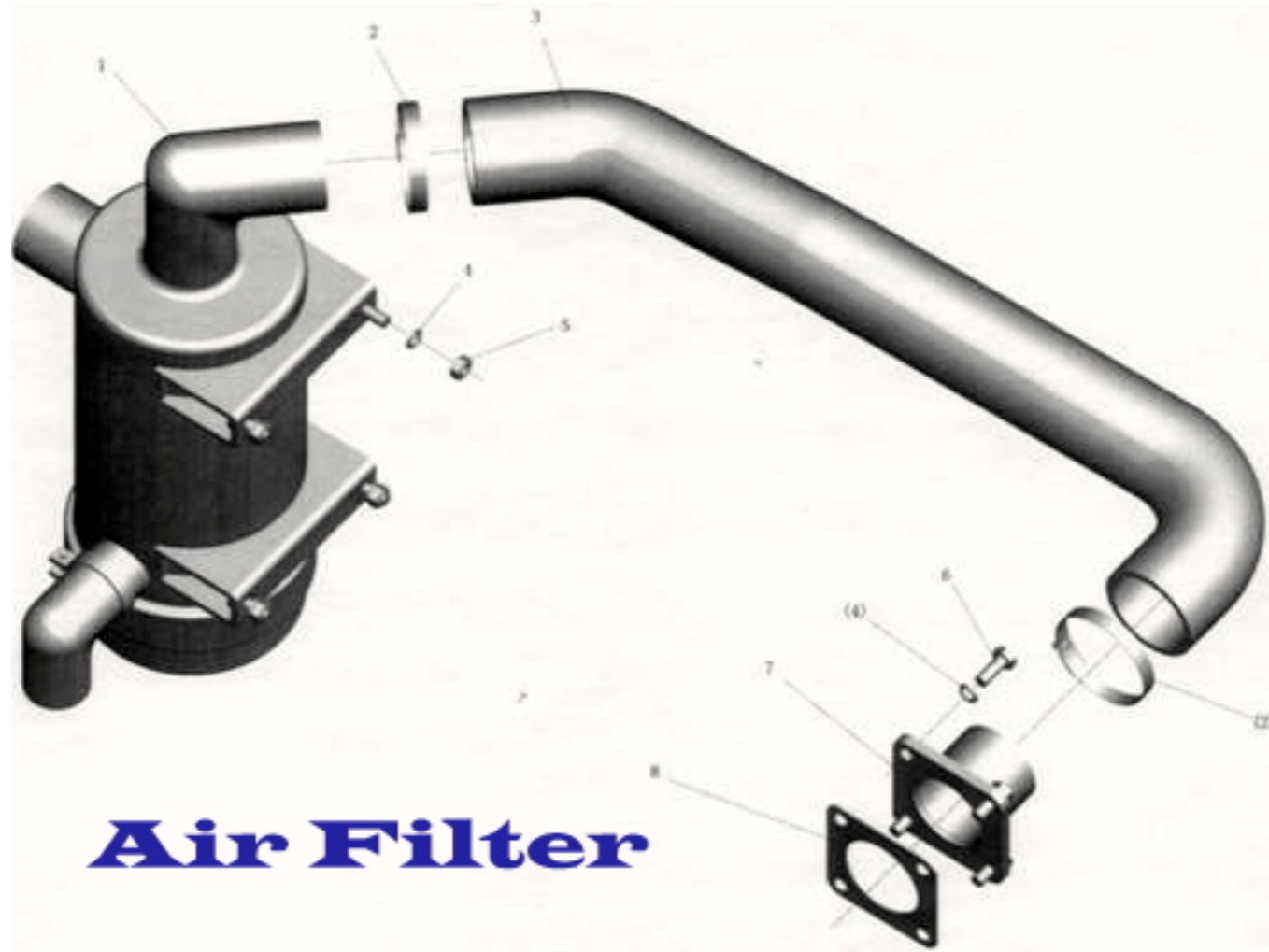
No.	Code	Name	Qty.	No.	Code	Name	Qty.
48	GB/T828-1988	Screw M8x12x6	2	56	150.55.110-1	Locating lump	2
49	150.55.160	Washer	2	57	150.55.105	Stop pin	1
50	150.55.103-1	Shaft	1	58	GB/T6710-1986	Nut M8	2
51	GB/T5780-1986	Bolt M10x80	3	59	GB/T97.1-1985	Washer 12	1
52	150.55.145-1	Plate	1	60	240-1.55.101	Lift casing	1
53	GB/T91-1986	Pin 2.5x16	3	61	GB3452.1-1992	O ring 9.5x1.8G	1
54	GB/T97.1-1985	Washer 8	2				
55	150.55.113	Push rod	1				



334 Shuttle

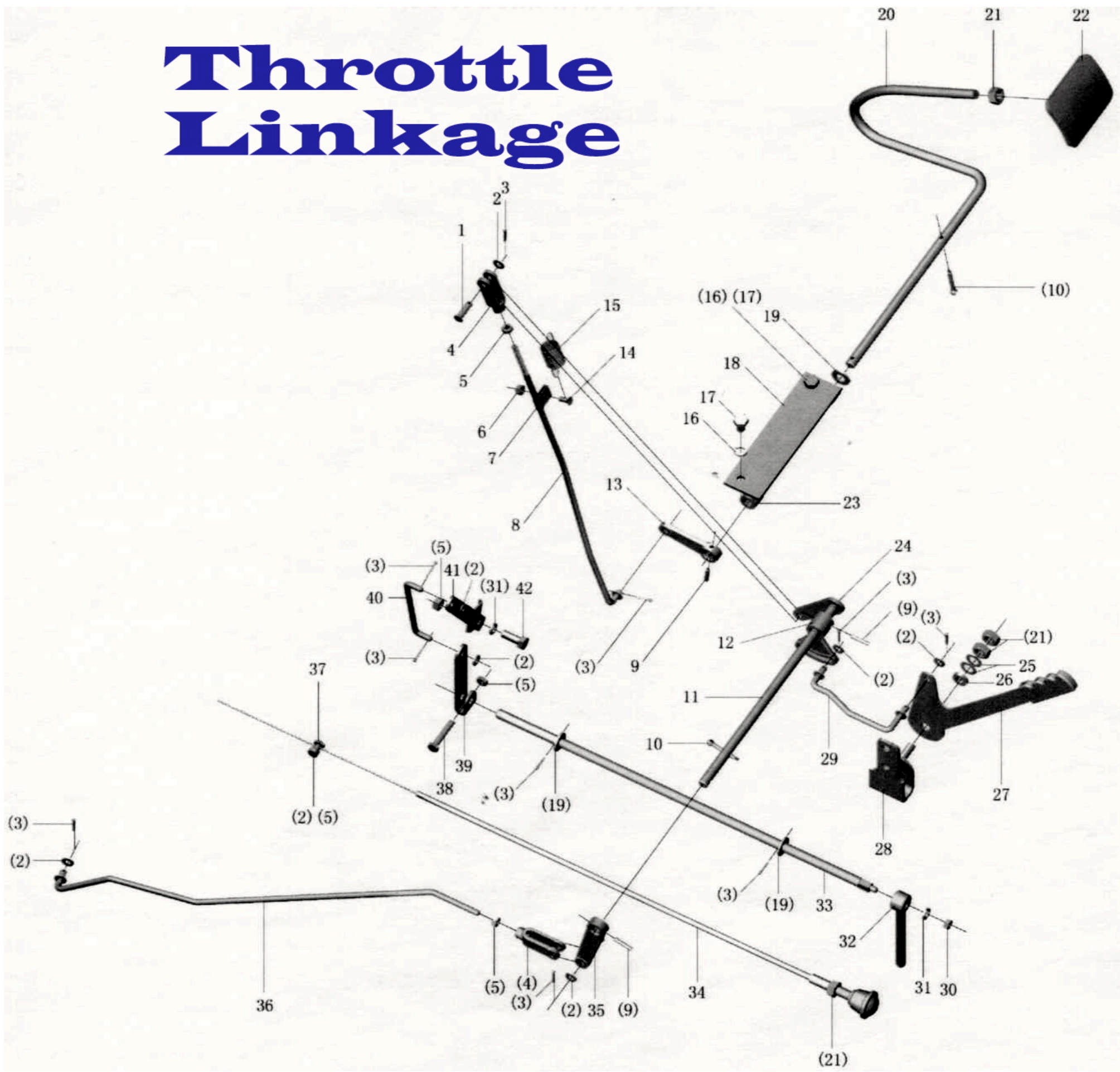
Clutch Housing Assembly





Air Filter

Throttle Linkage

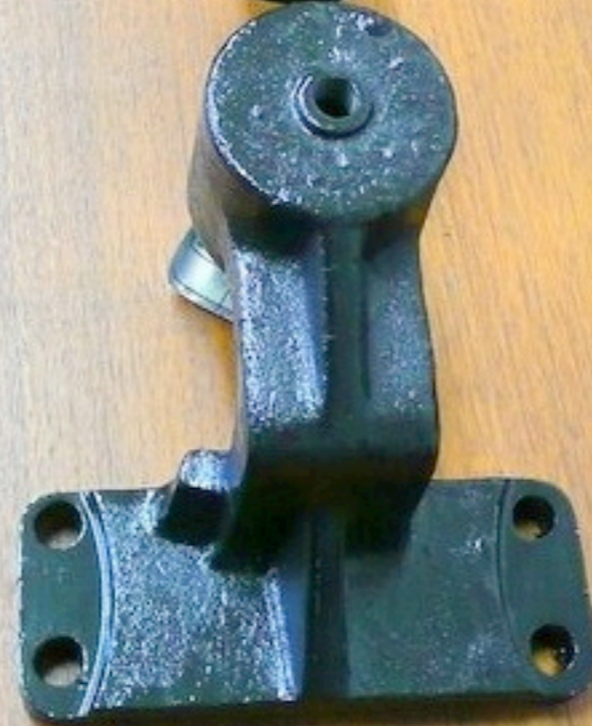




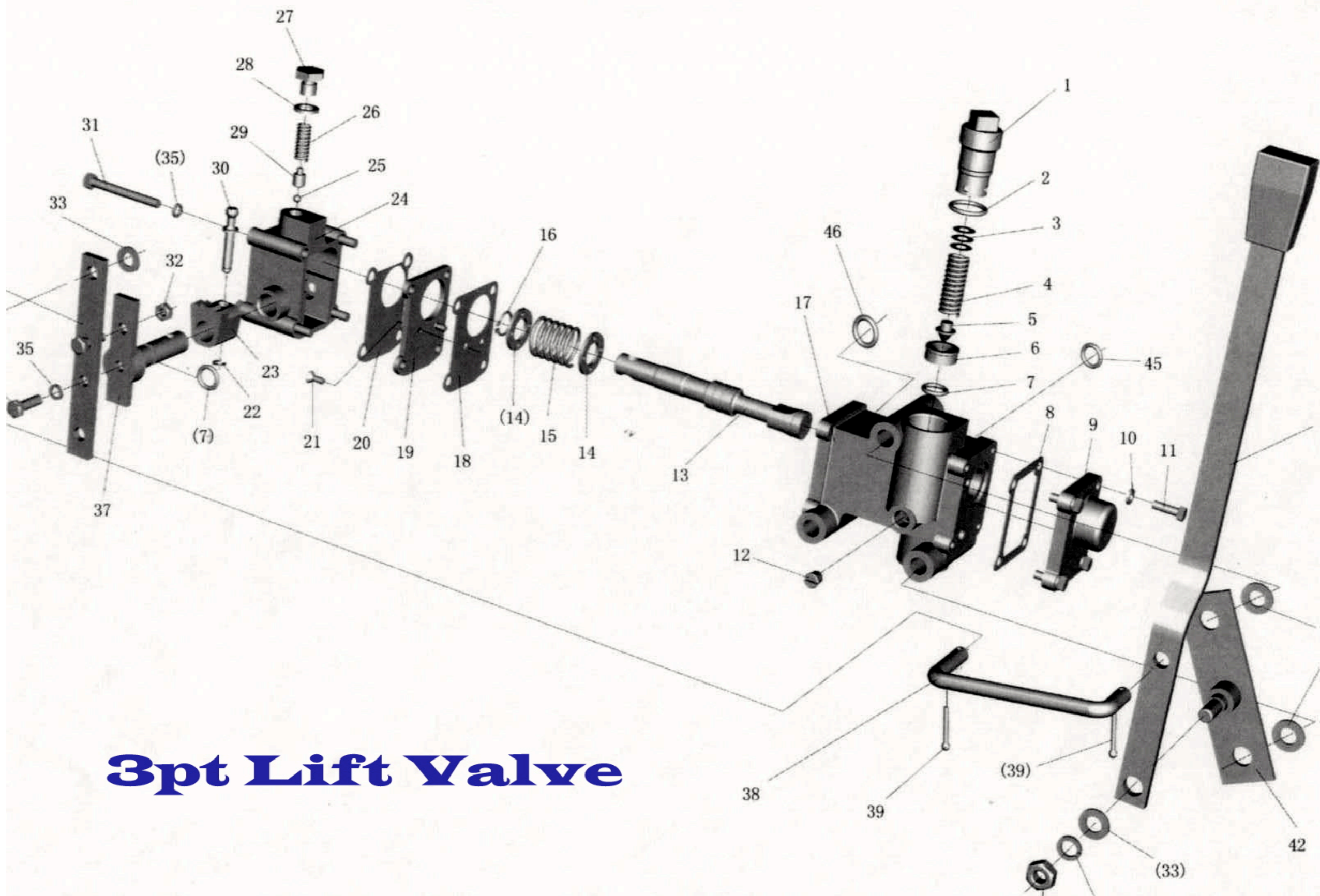
L



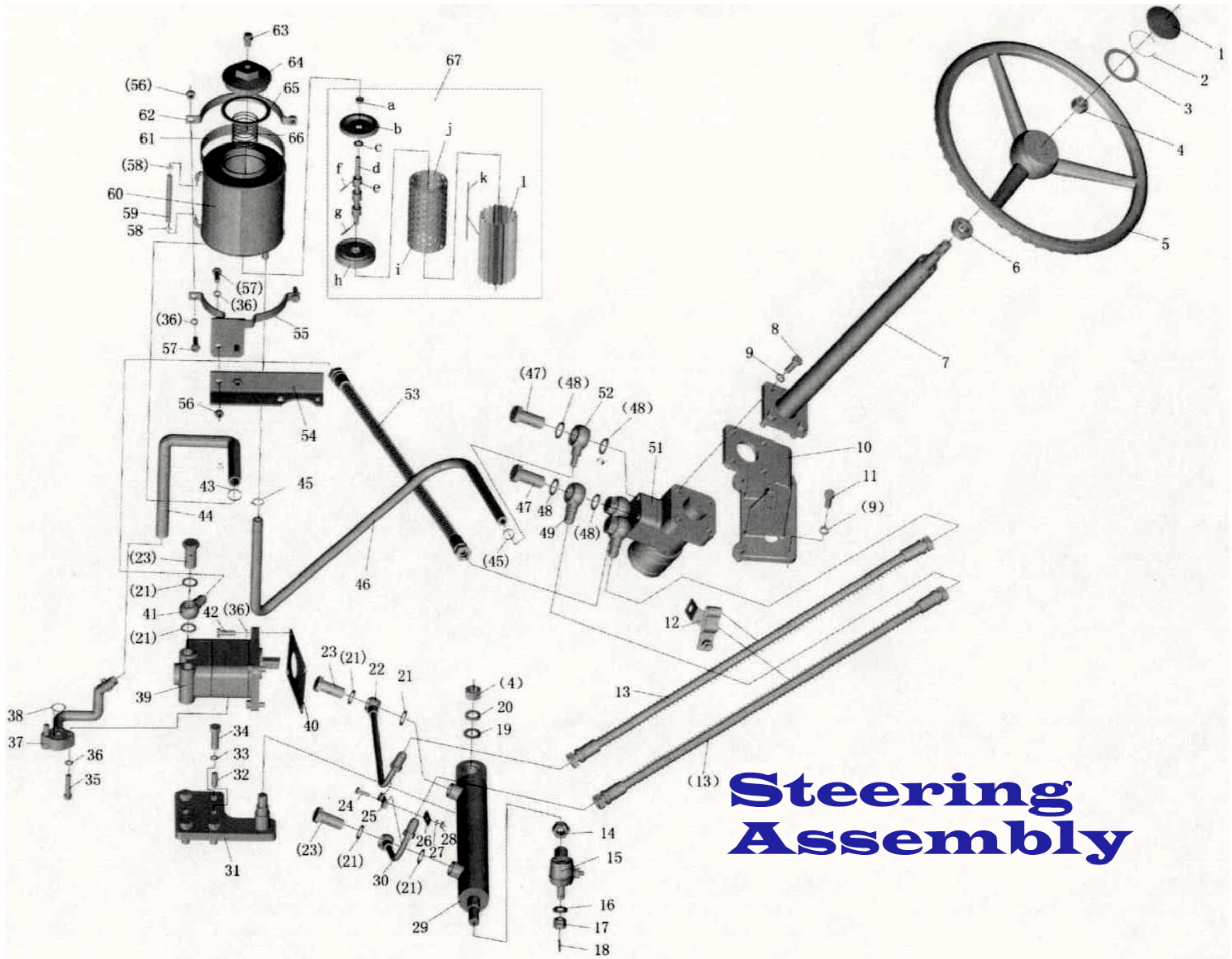
R



**Steering
Brackets**



3pt Lift Valve



Steering Assembly

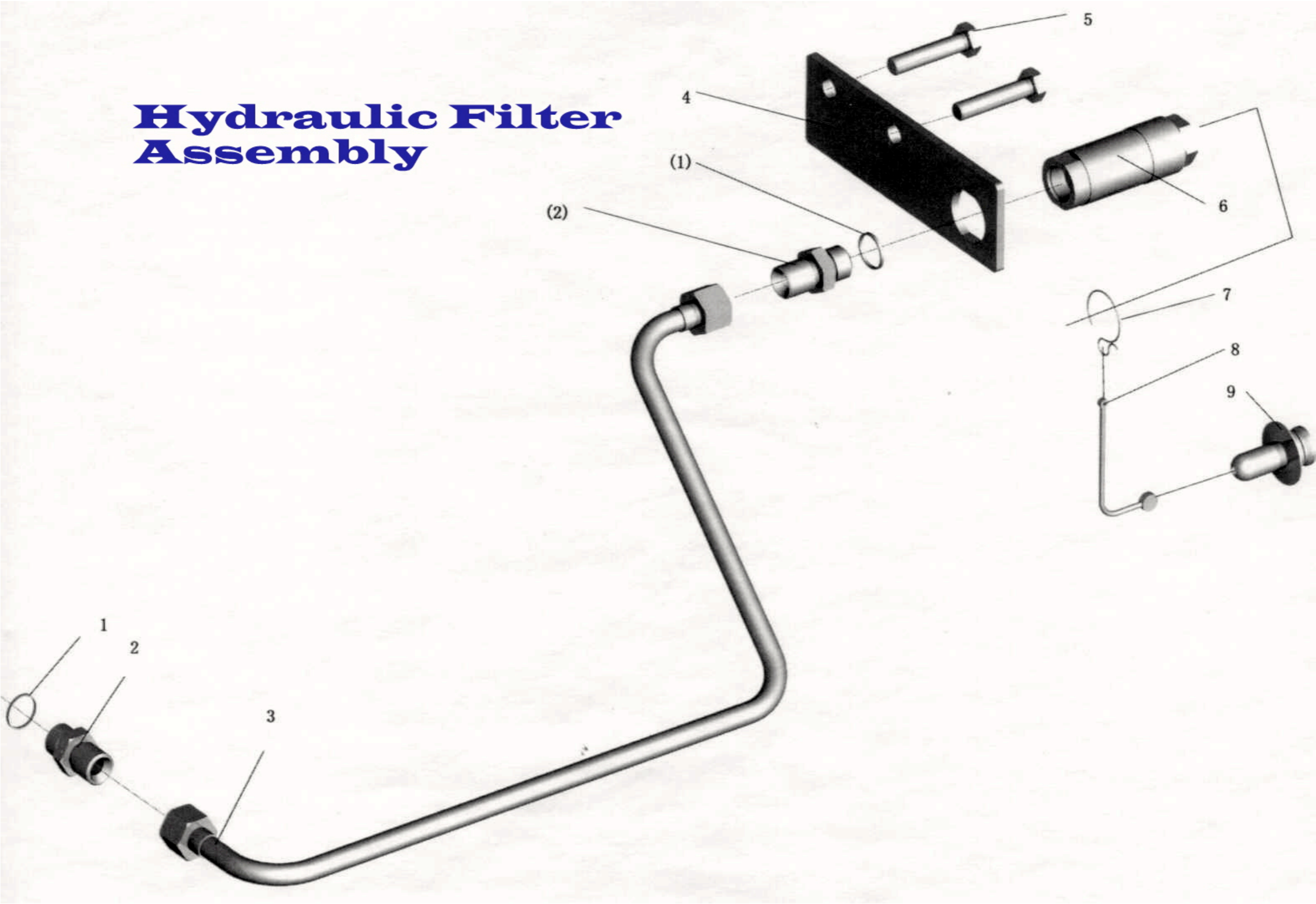
16.HYDRAULIC STEERING SYSTEM

No.	Code	Name	Qty.	No.	Code	Name	Qty.
	254C-1.40.001	Hydraulic steering system		21	150.40.107	Washer	6
1	150.40.107	Cover	1	22	254C-1.40.016	Right pipe	1
2	150.40.105	Circlip	1	23	150.54.108	Bolt	3
3	150.40.106	Rubber cushion	1	24	GB/T5783-1986	Bolt M6x20	1
4	GB/T6171-1986	Nut M16x1.5	21	25	254C-1.40.128	Washer	1
5	150.40.015	Steering wheel	1	26	254C-1.40.129	Washer	1
6	254.40.113	Oil seal	1	27	GB/T93-1987	Washer 6	1
7	254C-1.40.013	Steering lever	1	28	GB/T6170-1986	Nut M6	1
8	GB/T5782-1986	Bolt M10x40	4	29	254C-1.40.019	Steering cylinder	1
9	GB/T93-1987	Washer 10	8	30	254C-1.40.015	Left pipe	1
10	254.40.101	Support	1	31	254C-1.40.011	Support weldment	1
11	GB/T5782-1986	Bolt M10x30	4	32	GB/T119-1986	Pin A10x26	2
12	254C-1.40.022	Clamp	1	33	GB/T93-1987	Washer 12	4
13	254C-1.40.014	High pressure oil pipe	2	34	GB/T5783-1986	Bolt M12x35	4
14	GB/T6172-1986	Nut M16x1.5	1	35	GB/T5780-1986	Bolt M8x40	2
15	254C-1.40.020	Rod connector	1	36	GB/T93-1987	Washer 8	8
16	GB/T97.1-1985	Washer 12	1	37	254C-1.40.021	Oil intake connector	1
17	GB/T6197-1986	Nut M12	1	38	GB3452.1-1992	O ring 20x1.80G	1
18	GB/T91-1986	Pin 2.5x45	1	39	CBT-E306FHL062BR	Pump	1
19	GB/T848-1985	Washer 16	1	40	254C-1.54.104	Gasket	1
20	GB/T93-1987	Washer 16	1	41	254.40.139	Connector	1

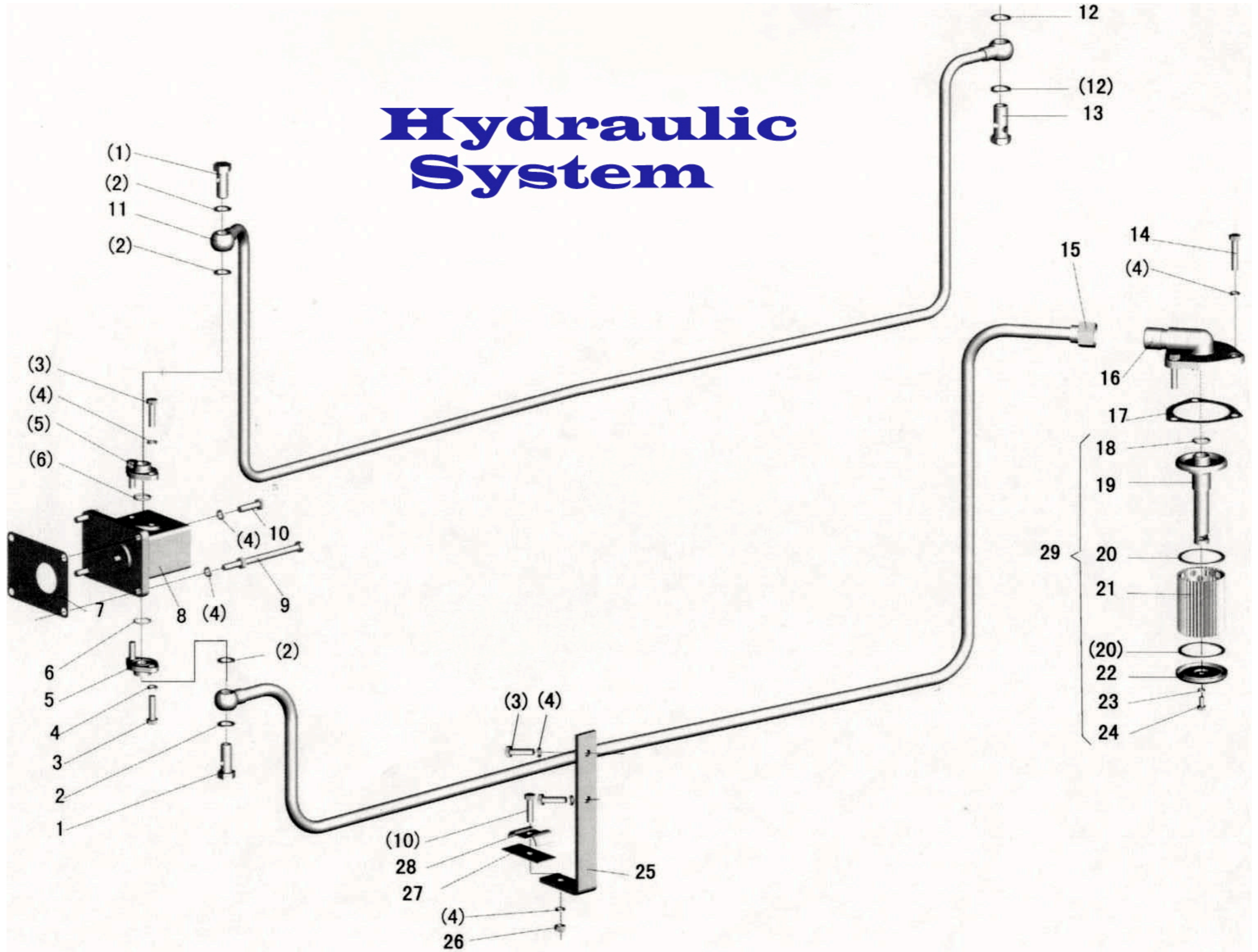
16.HYDRAULIC STEERING SYSTEM

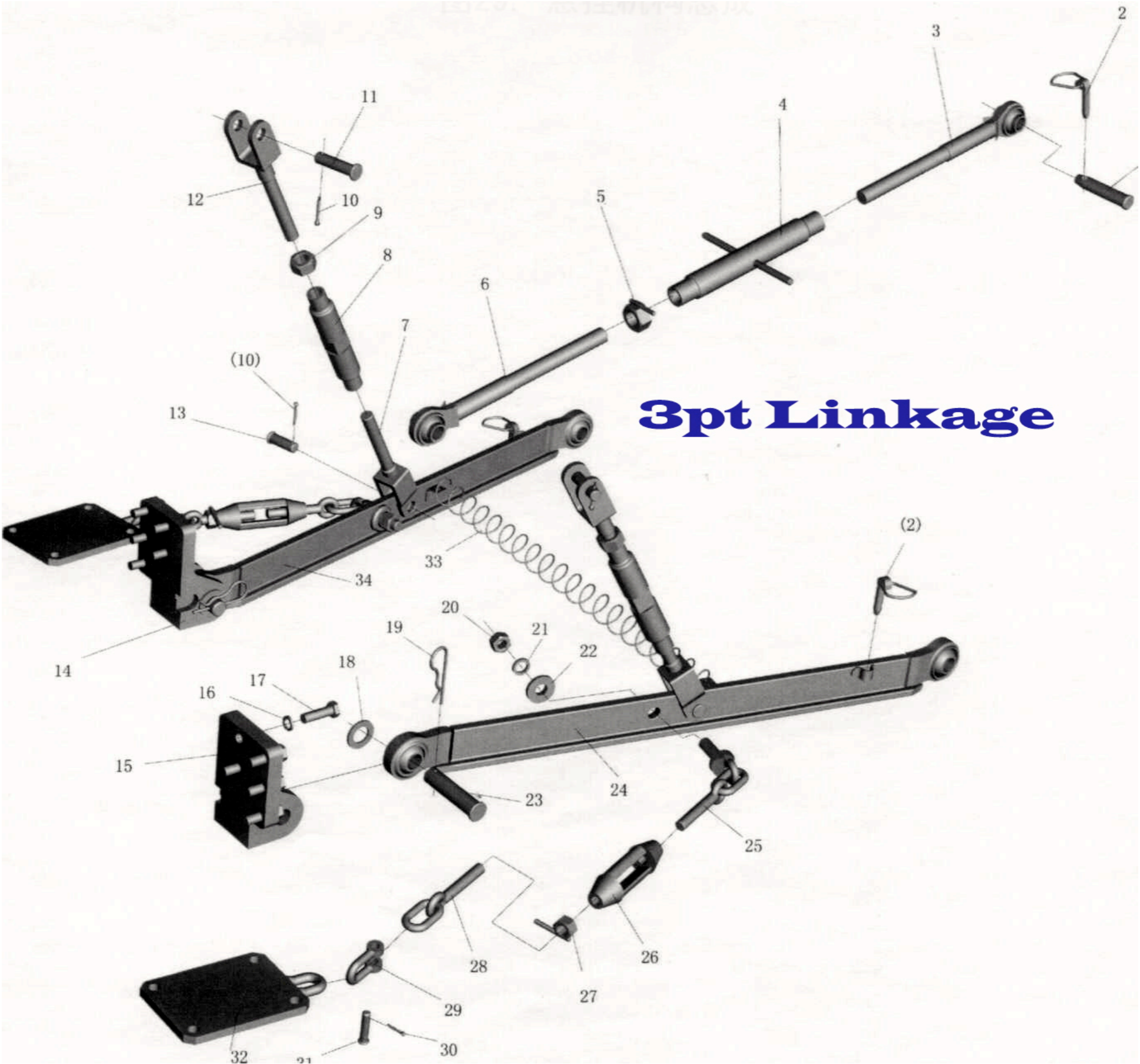
No.	Code	Name	Qty.	No.	Code	Name	Qty.
42	GB/T5783-1986	Bolt M8x25	4	63	150D.55.015	Air plug	1
43	JK1A	Circlip	2	64	650.40.138	Breath pressure cover	1
44	254C-1.40.103	Oil suction pipe	1	65	650.40.139	Rubber washer A	1
45	JK000	Circlip	2	66	650.40.137	Spring	1
46	254C-1.40.104	Oil pipt	1	67	650.40.033	Filter	1
47	650.61.136	Hollow bolt	4	a	GB/T6170-1986	Nut M8	1
48	650.40.183	Washer	8	b	650.40.157	Filter cover	1
49	254C-1.40.139	Connector	3	c	GB/T97.1-1985	Washer 8	6
50				d	650.40.161	Shaft	1
51	BZZ1-63FKC-D30-15	Steering	1	e	650.40.160	Magnetic core	3
52	254C-1.40.140	Connector	1	f	GB/T119-1986	Pin C2x20	6
53	254C-1.40.023	Delivery pipe	1	g	GB/T119-1986	Pin B3x22	1
54	254C-1.40.132	Oil tank support plate	1	h	650.40.163	Cover	1
55	254C-1.40.017	Oil tank support frame	1	I	650.40.158	Outer skeleton	1
56	GB/T6170-1986	Nut M8	2	j	640.40.159	Inter skeleton	1
57	GB/T5781-1986	Bolt M8x25	2	k	650.40.156	Sheet	1
58	GB/T3081-1982	Steel wire I-1	as needed	l	650.40.162	Cleaner screen	1
59	254C-1.40.108	Soft pipe	1				
60	254C-1.40.018	Oil tank	1				
61	254C-1.40.127	Rubber plate	1				
62	254C-1.40.102	Oil tank fixed plate	1				

Hydraulic Filter Assembly



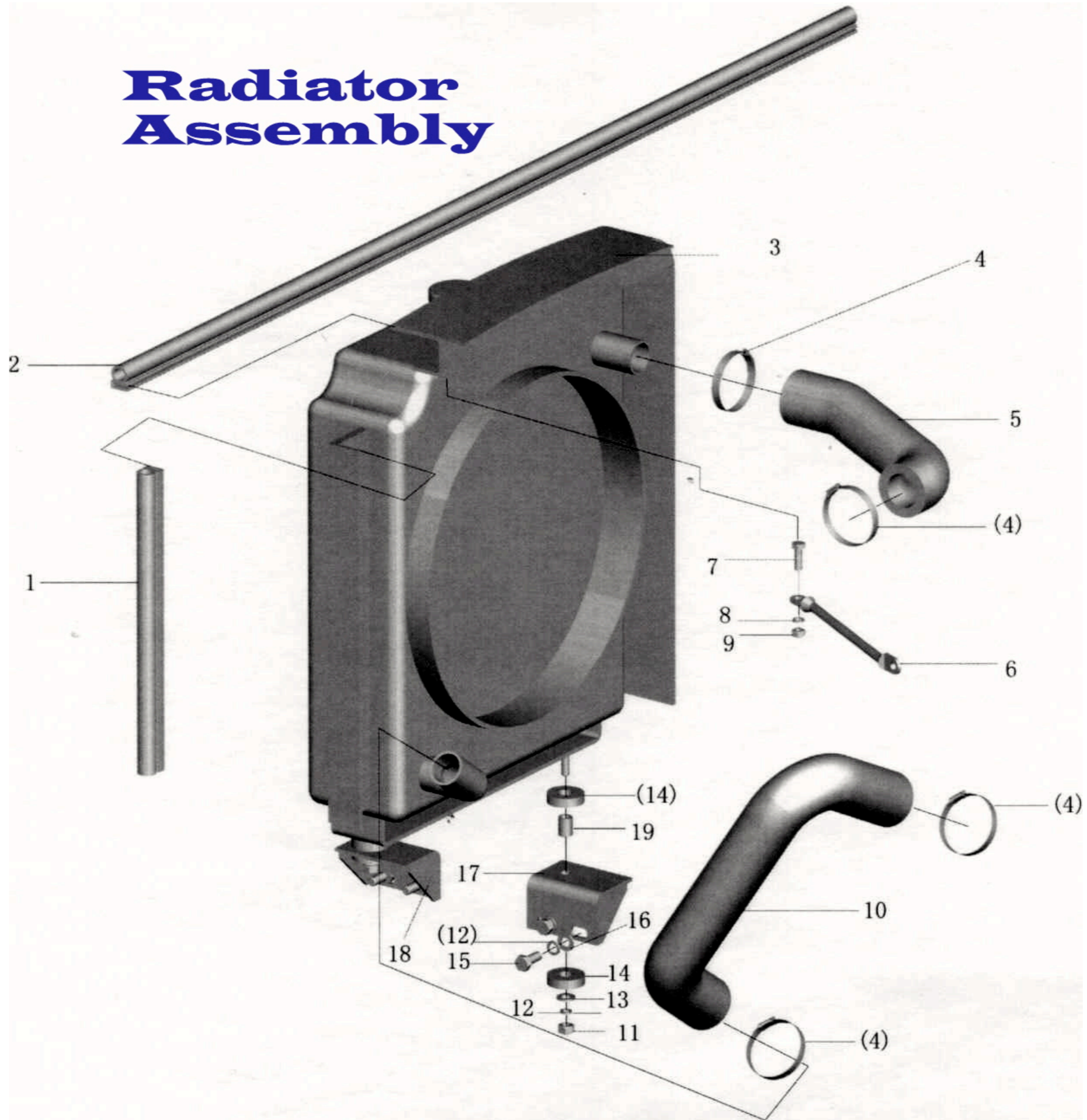
Hydraulic System



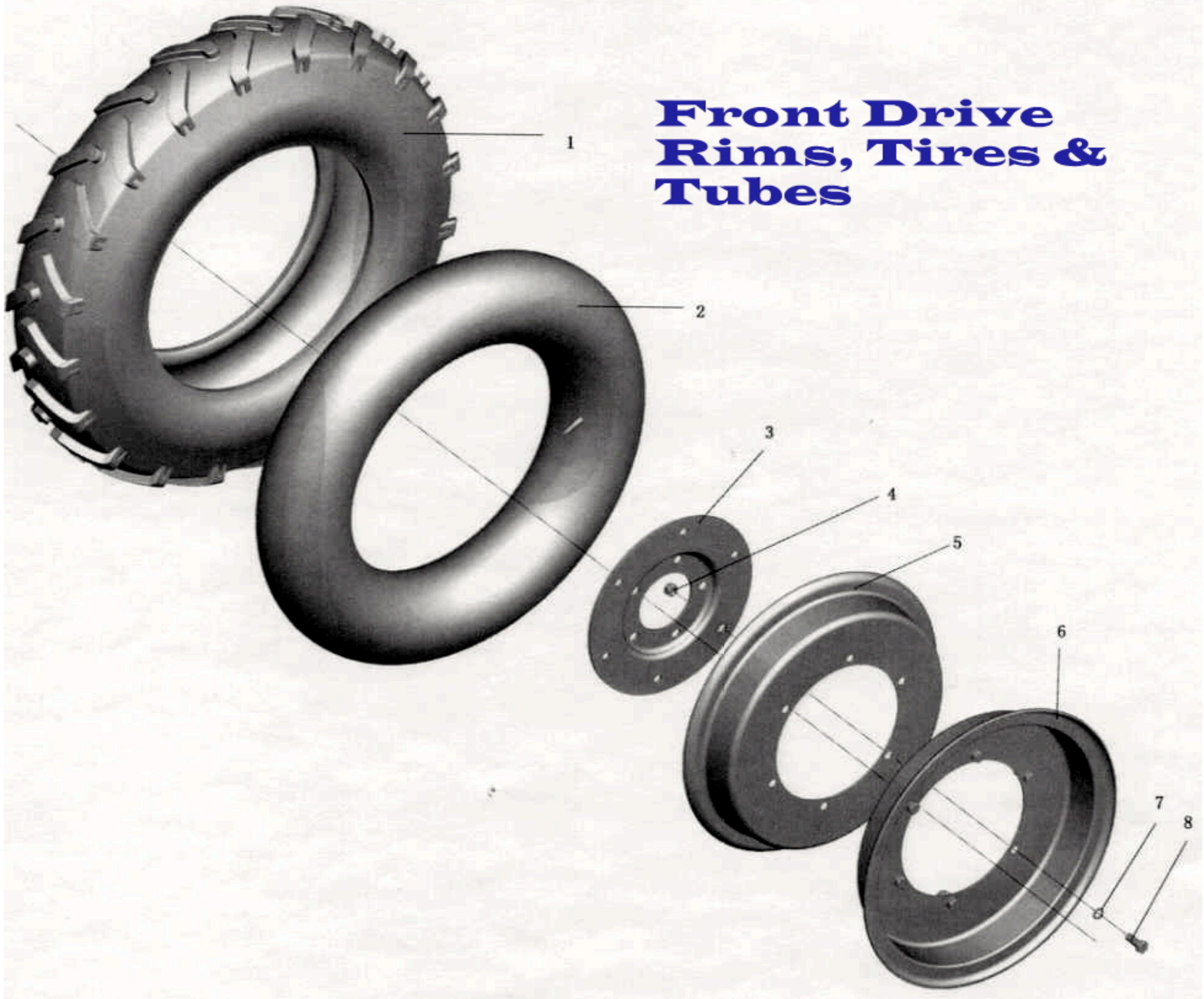


3pt Linkage

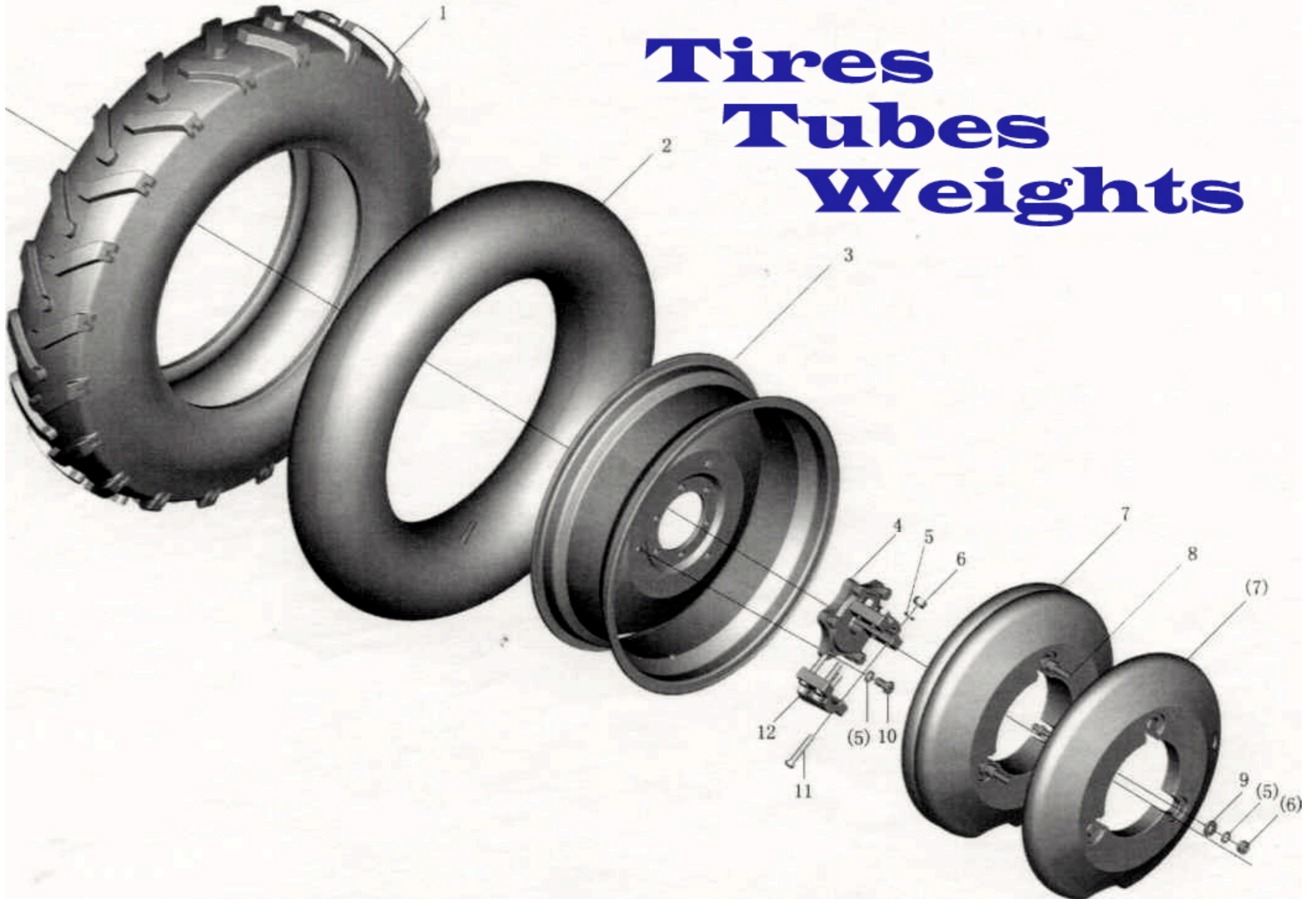
Radiator Assembly

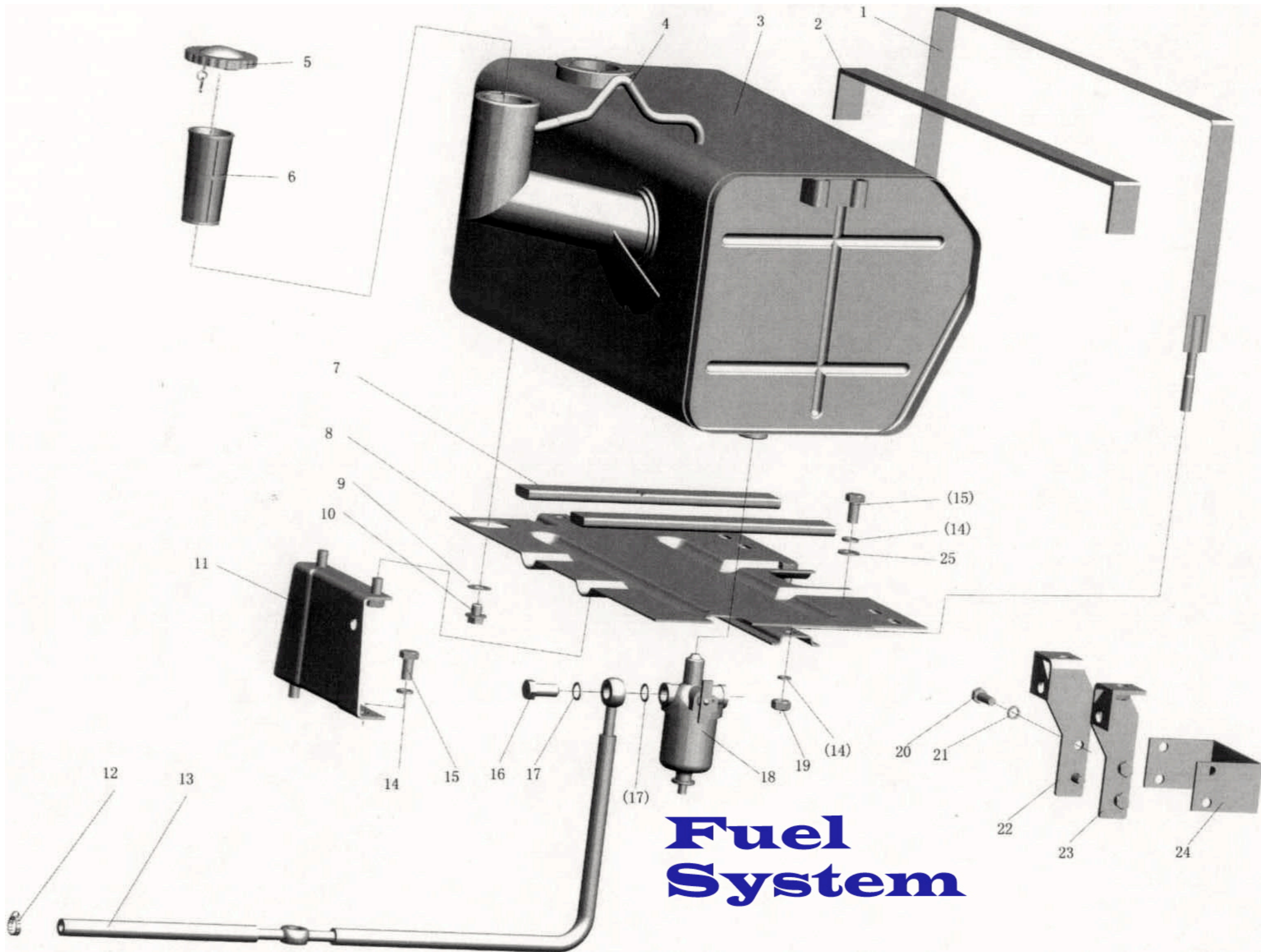


Front Drive Rims, Tires & Tubes



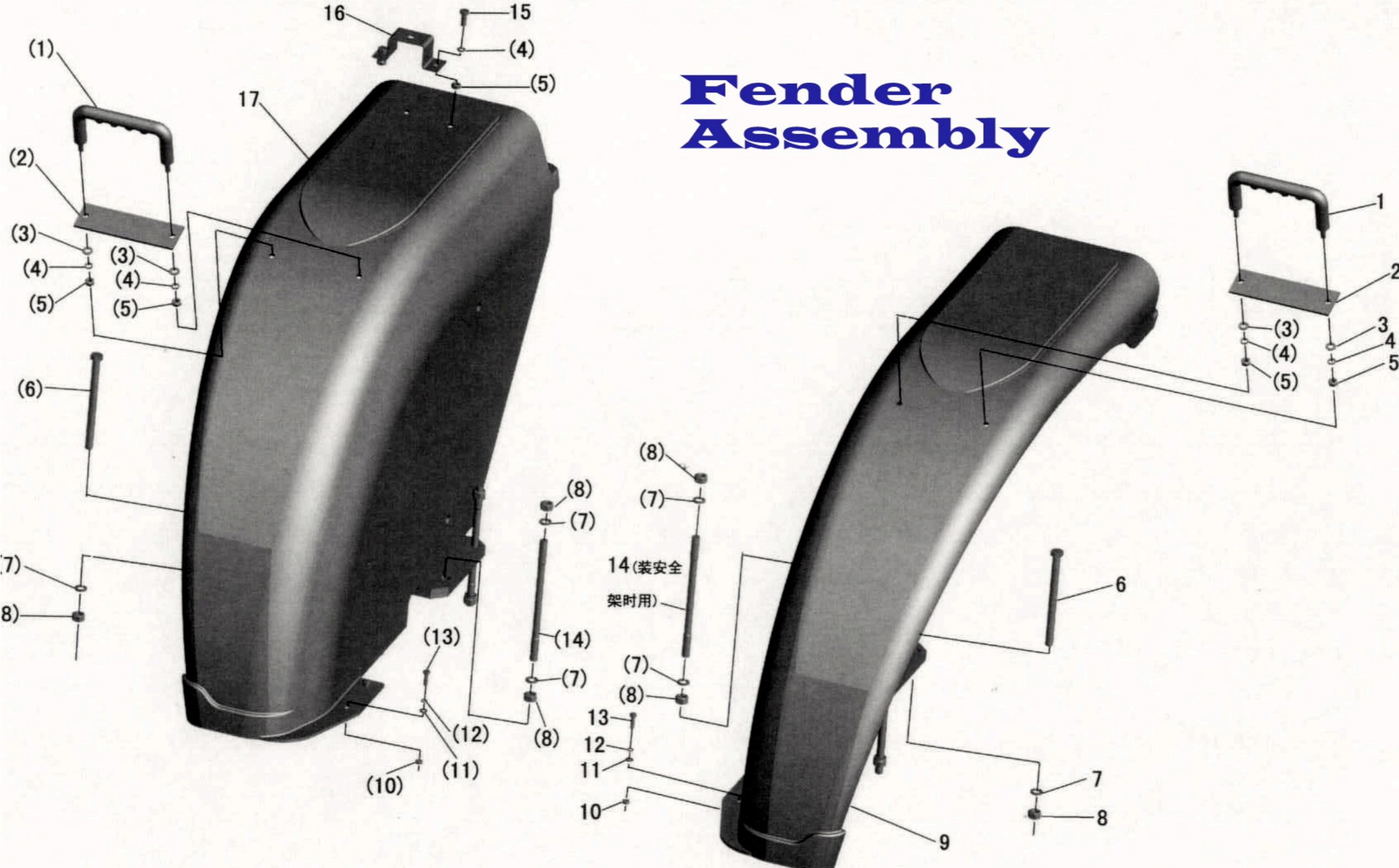
Tires Tubes Weights



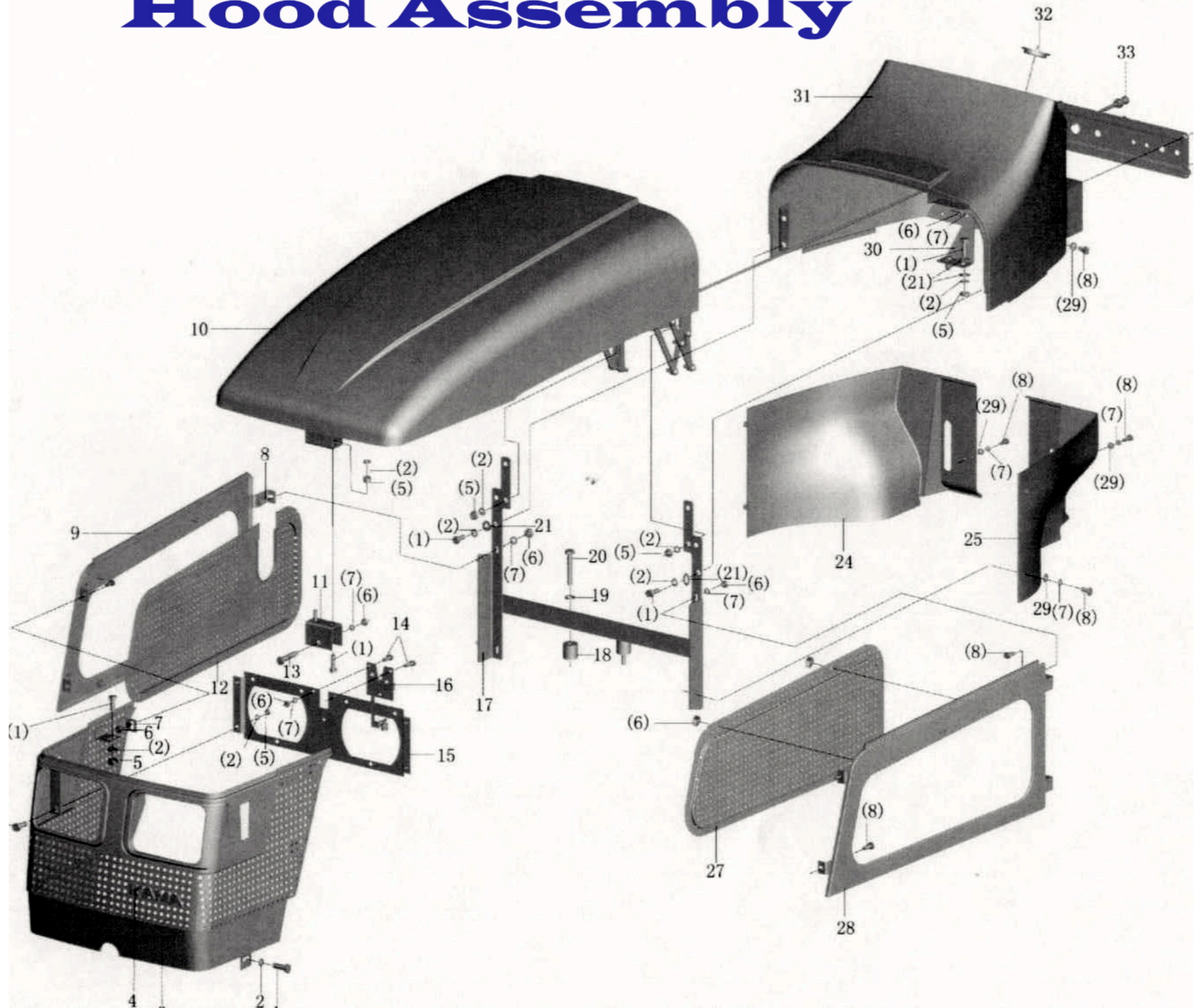


Fuel System

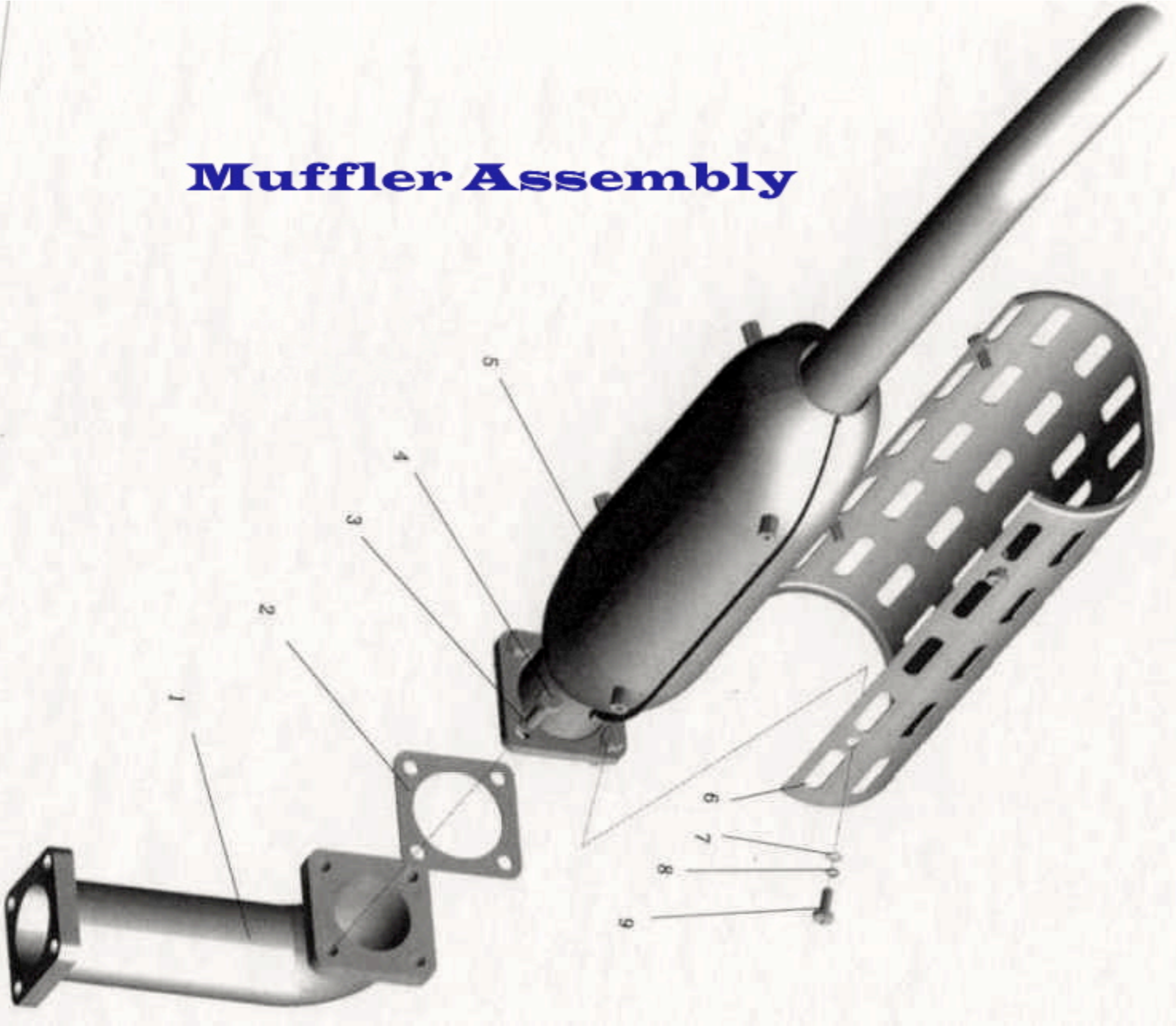
Fender Assembly



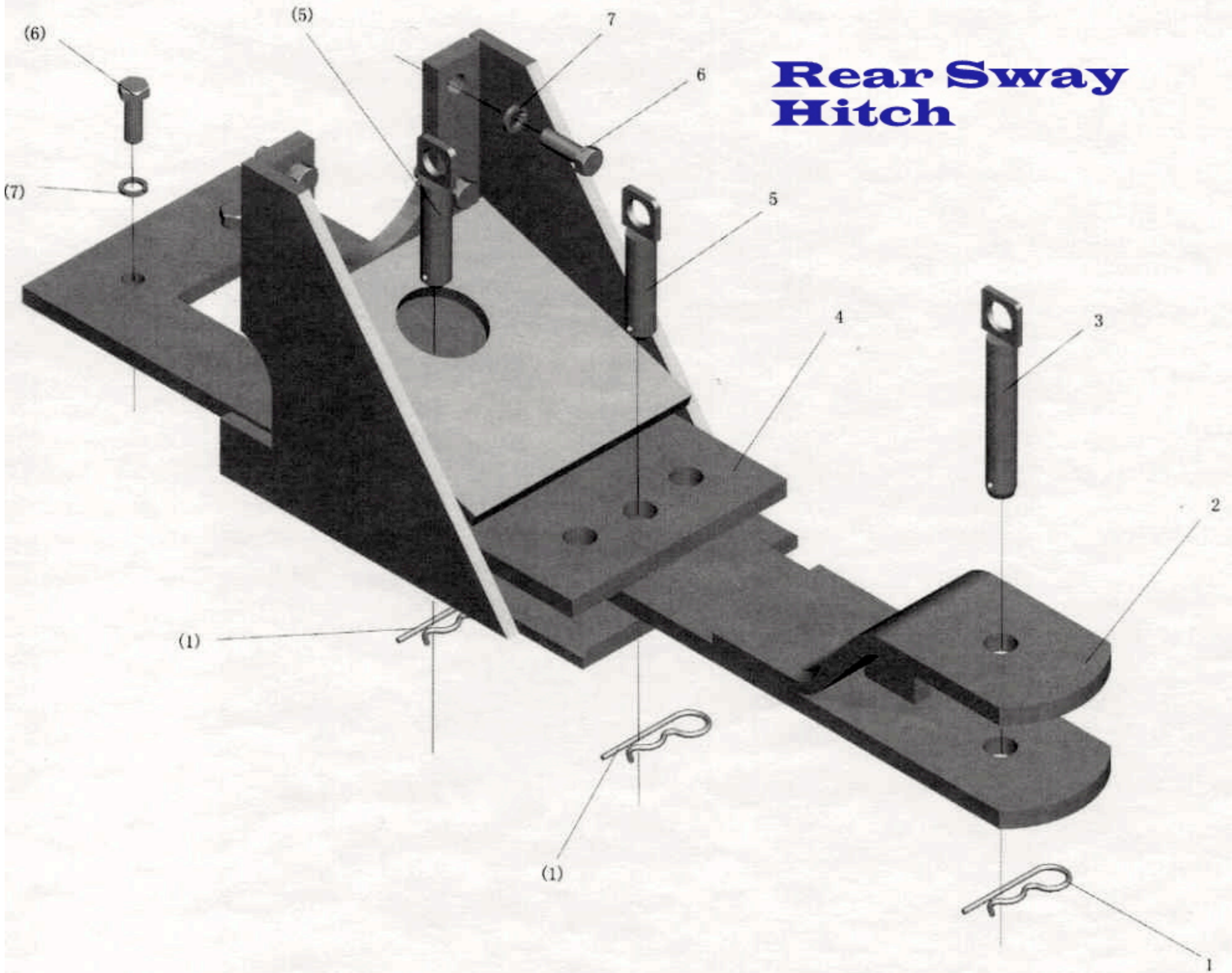
Hood Assembly



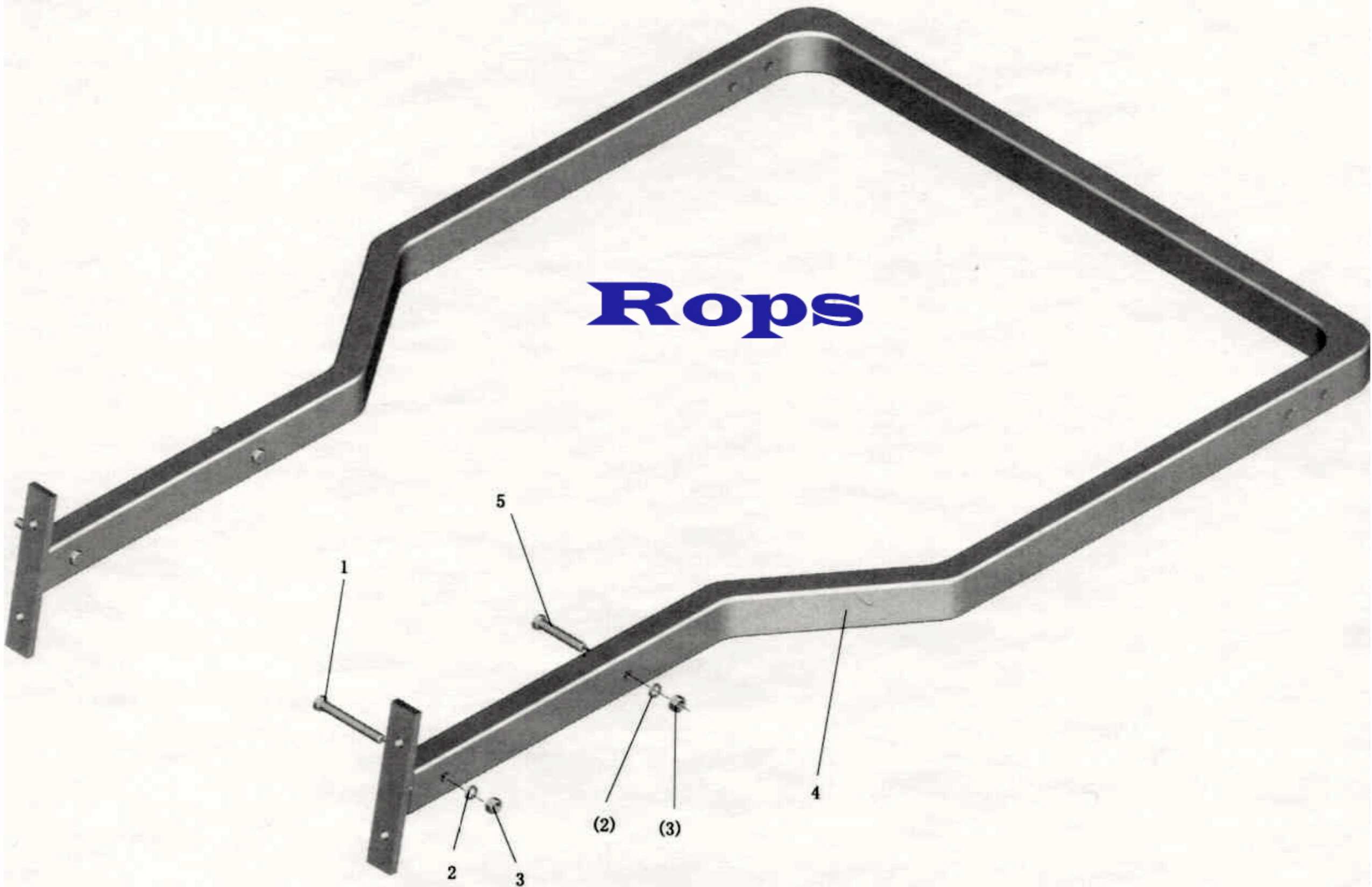
Muffler Assembly



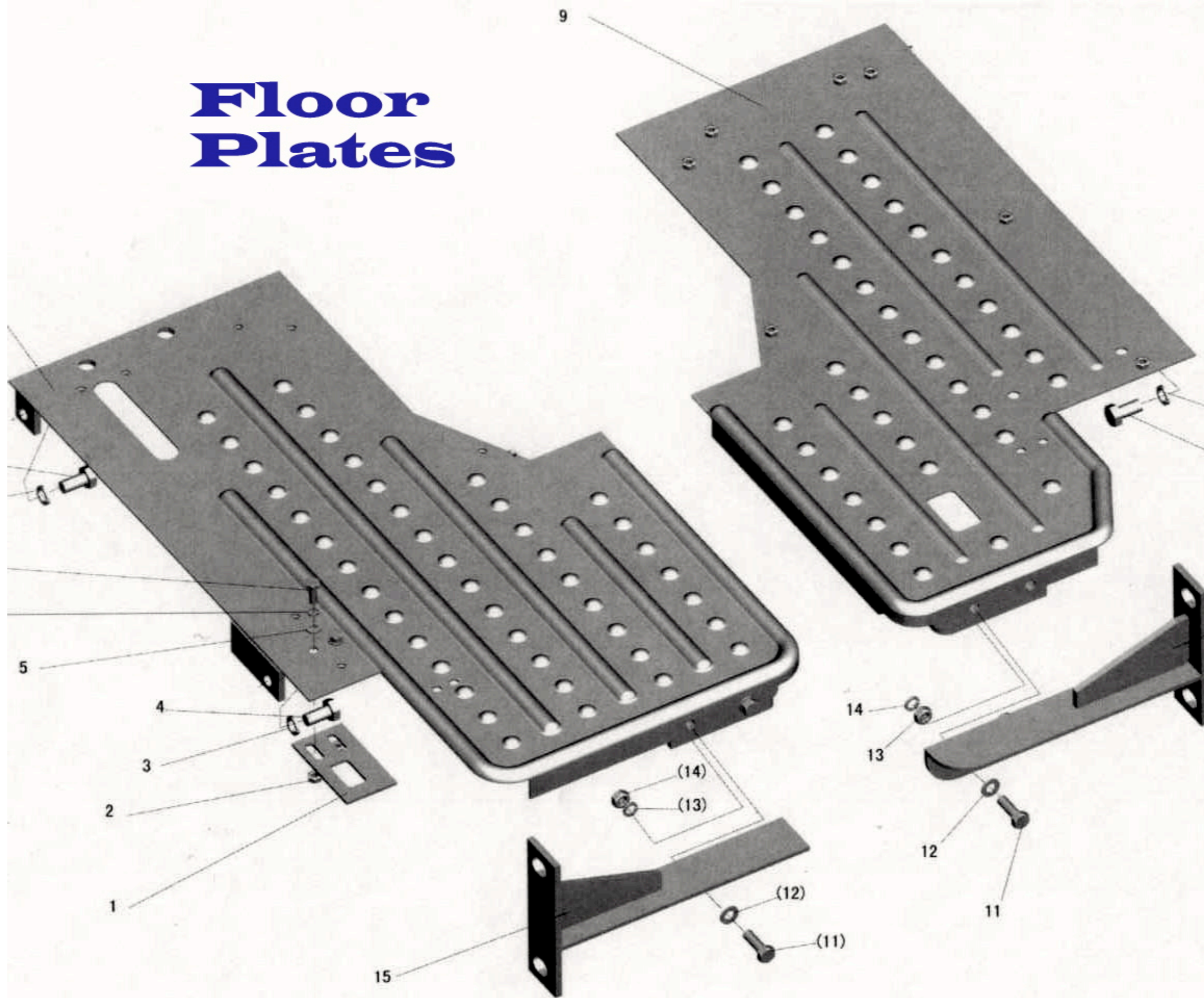
Rear Sway Hitch



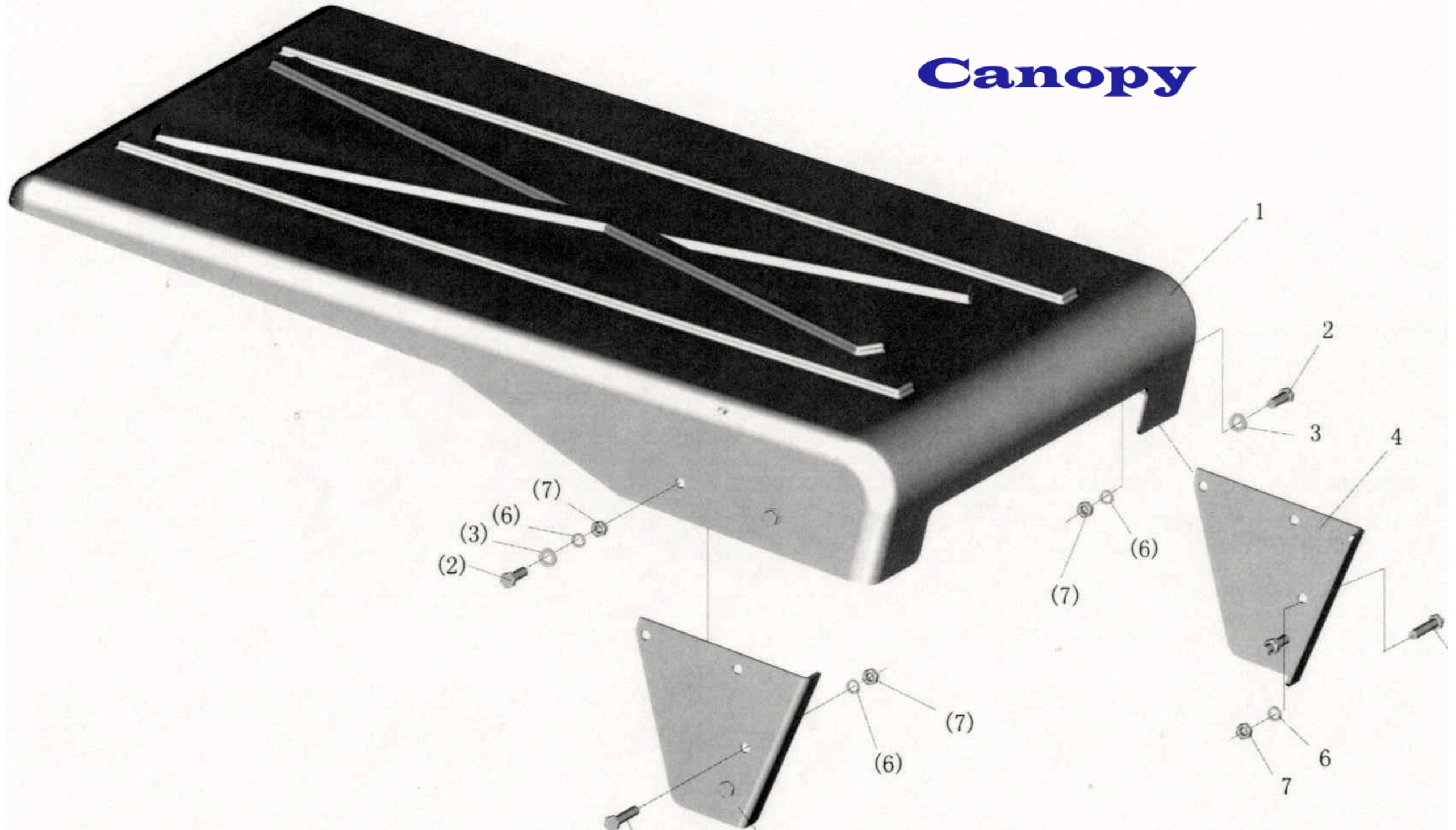
Rops



Floor Plates



Canopy



Chassis Covers

