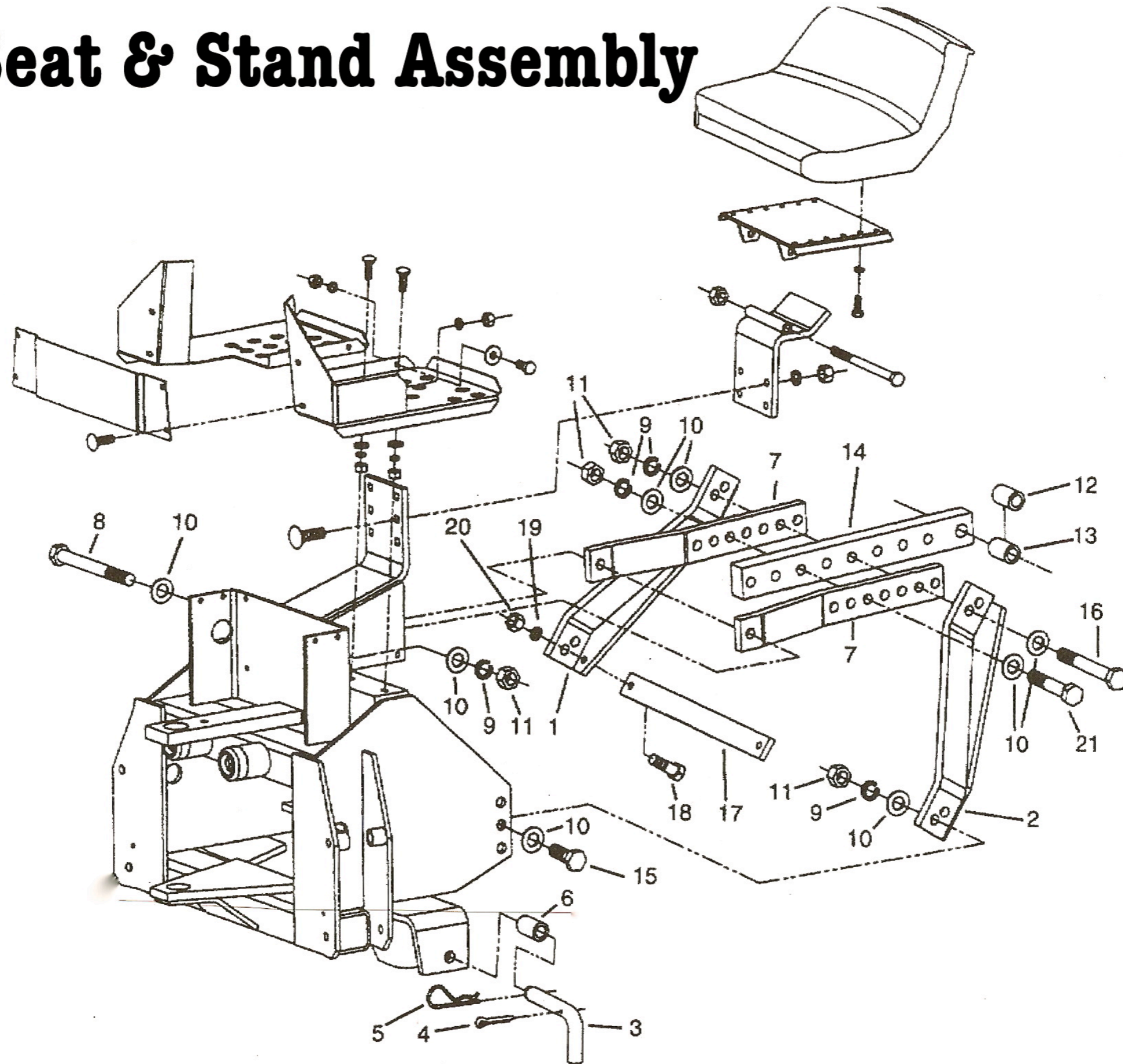


BH-100 Backhoe 6.6'

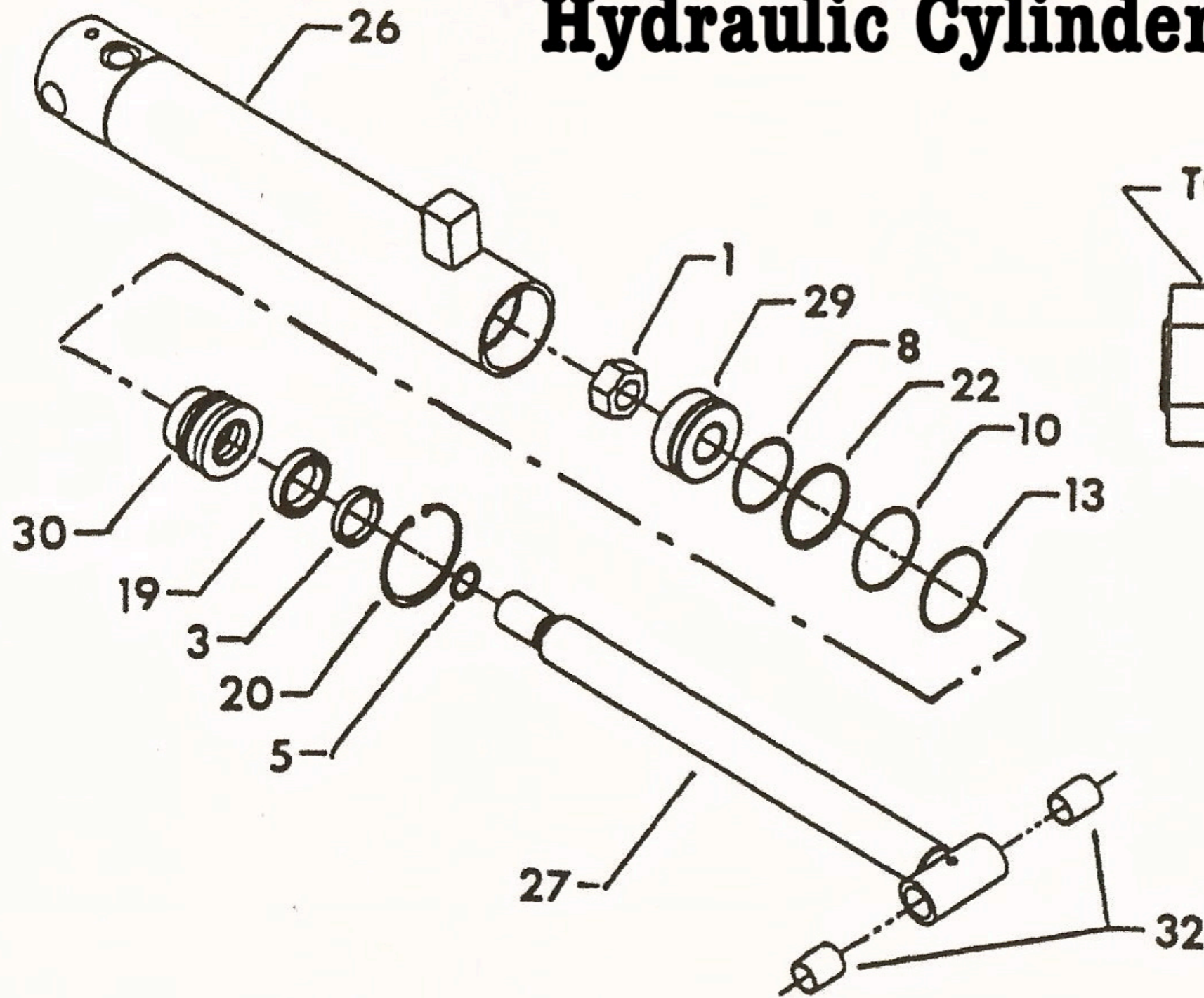
**Buckets available
7" , 14" and 28"**

**+ Includes 1 set of flat pods
and 1ea set of spiked pods**

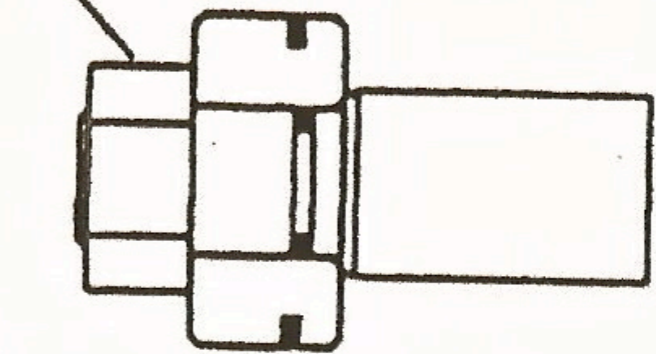
Seat & Stand Assembly



Hydraulic Cylinder Breakdown

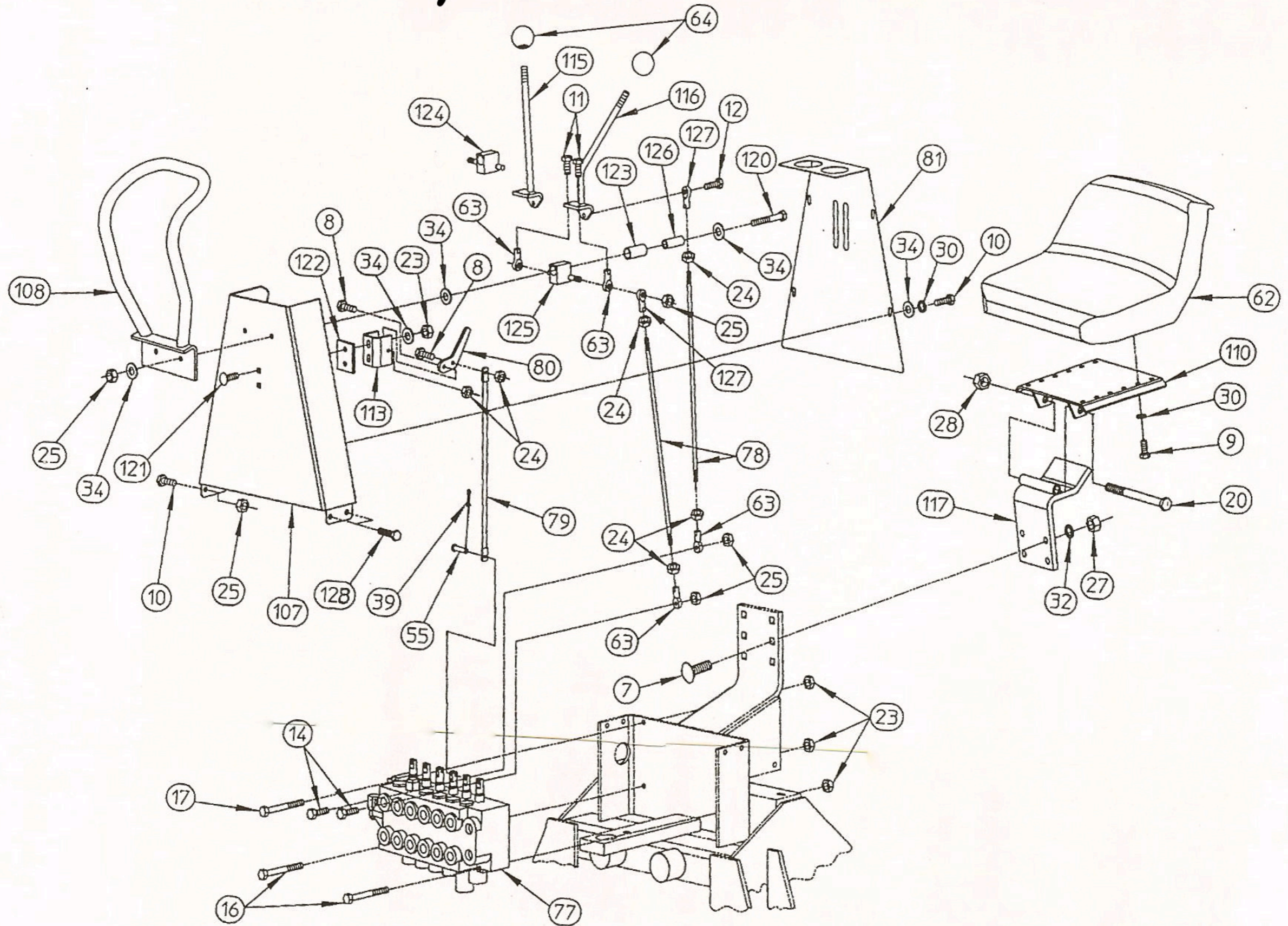


TORQUE: 200 LB-FT

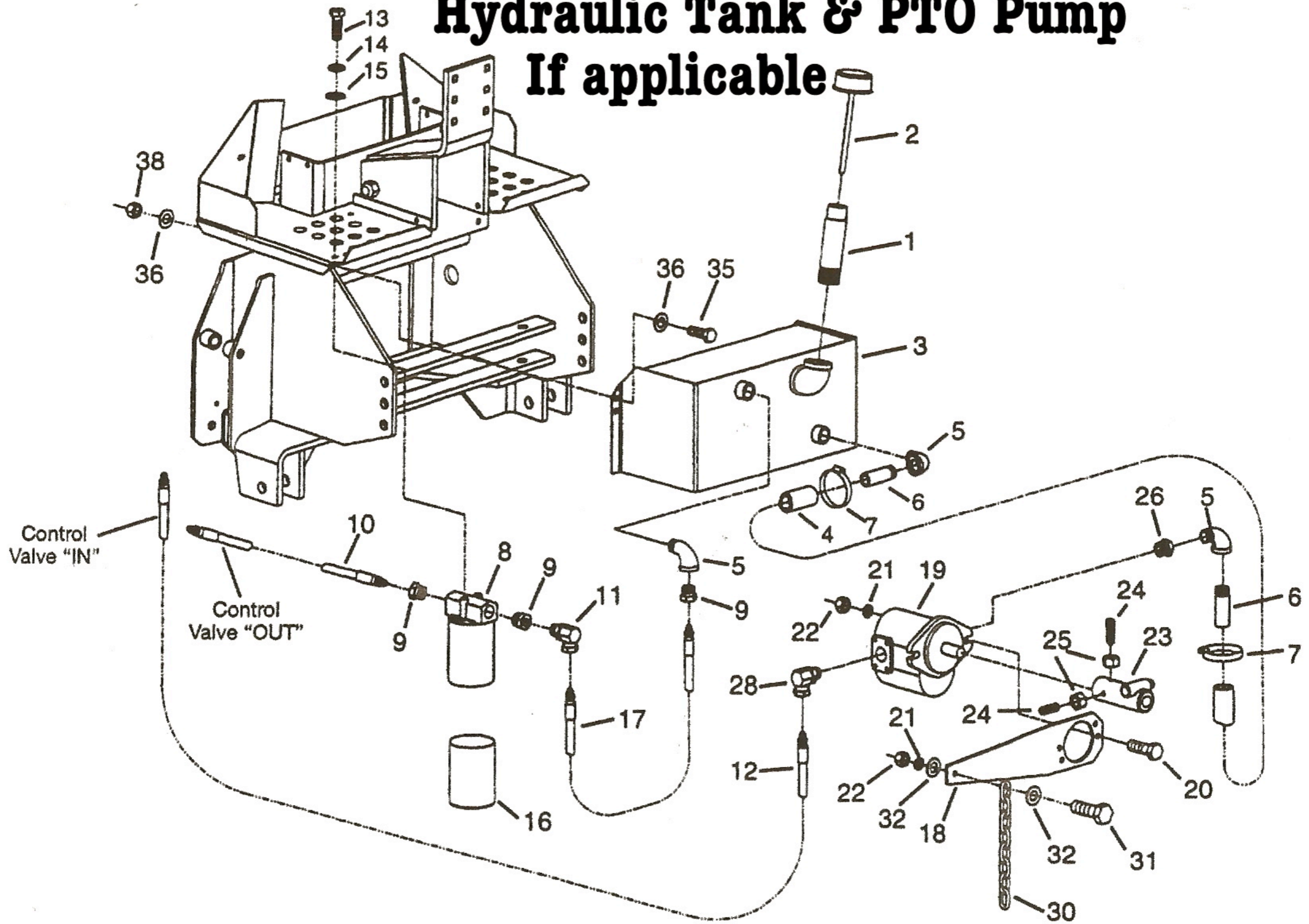


Proper Piston
Assembly

Controls, main valve & seat



Hydraulic Tank & PTO Pump If applicable



Basic Backhoe Identification Locations

