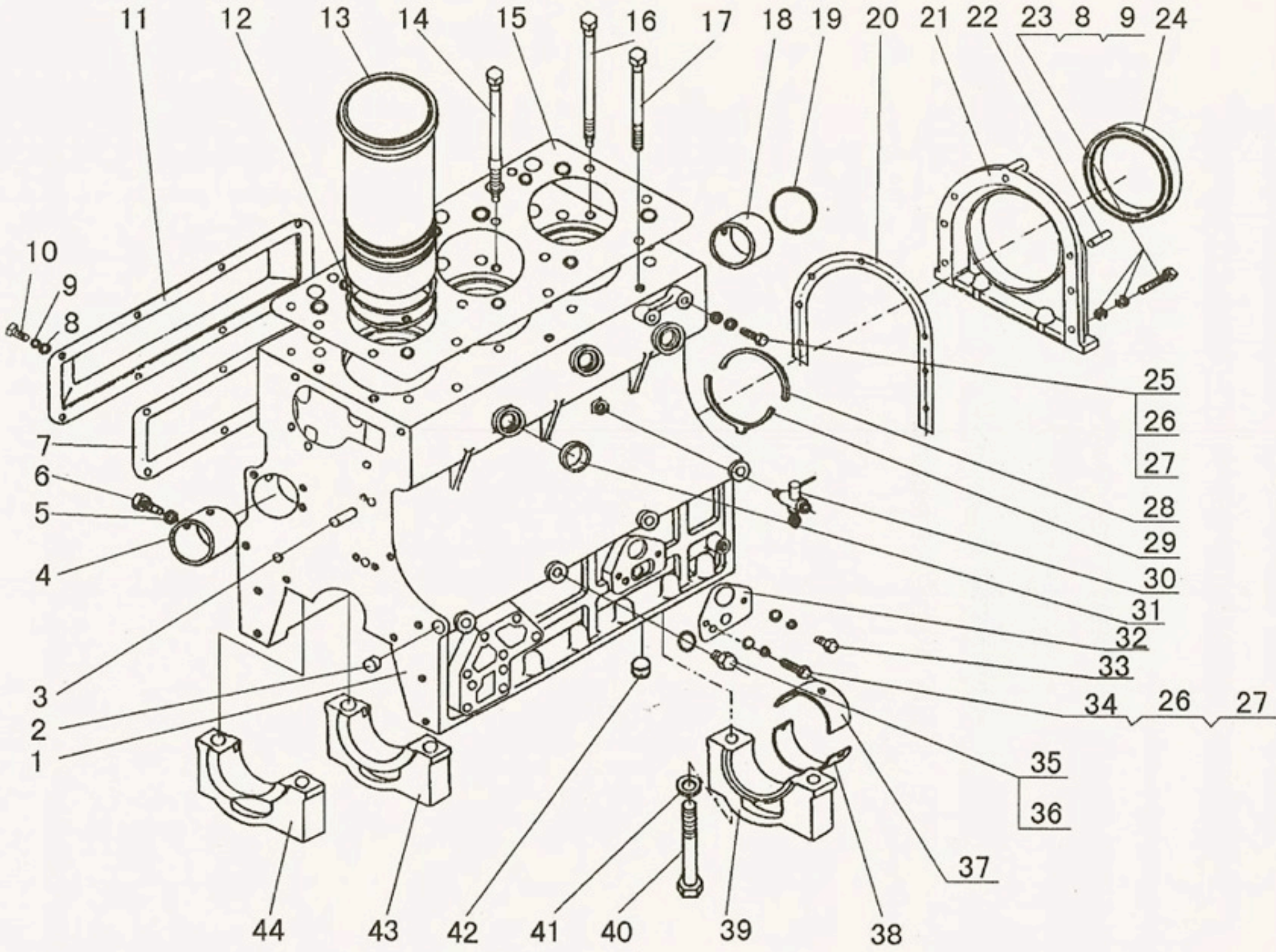


ENGINE 3105

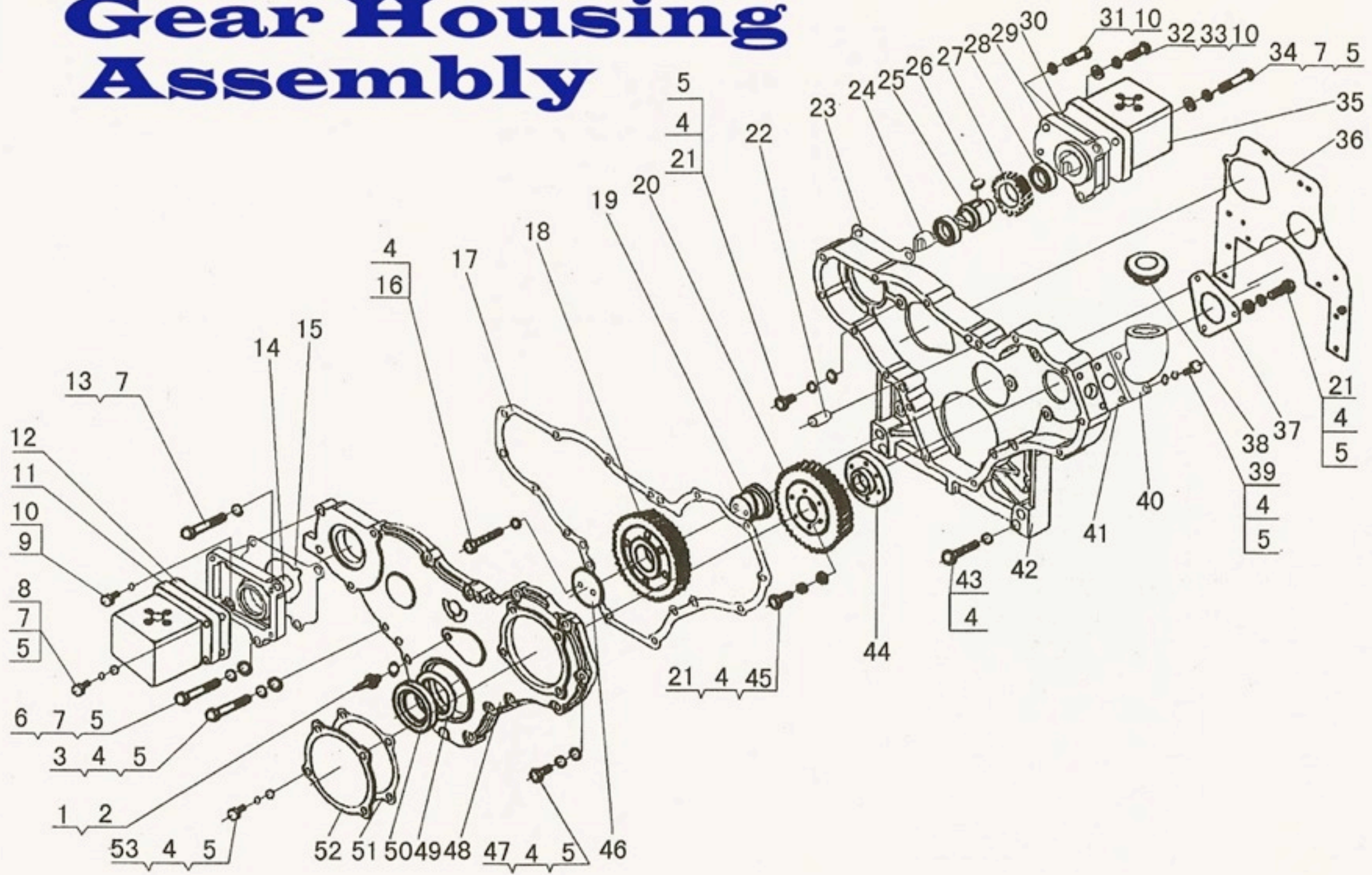


Fujian Lijia Co

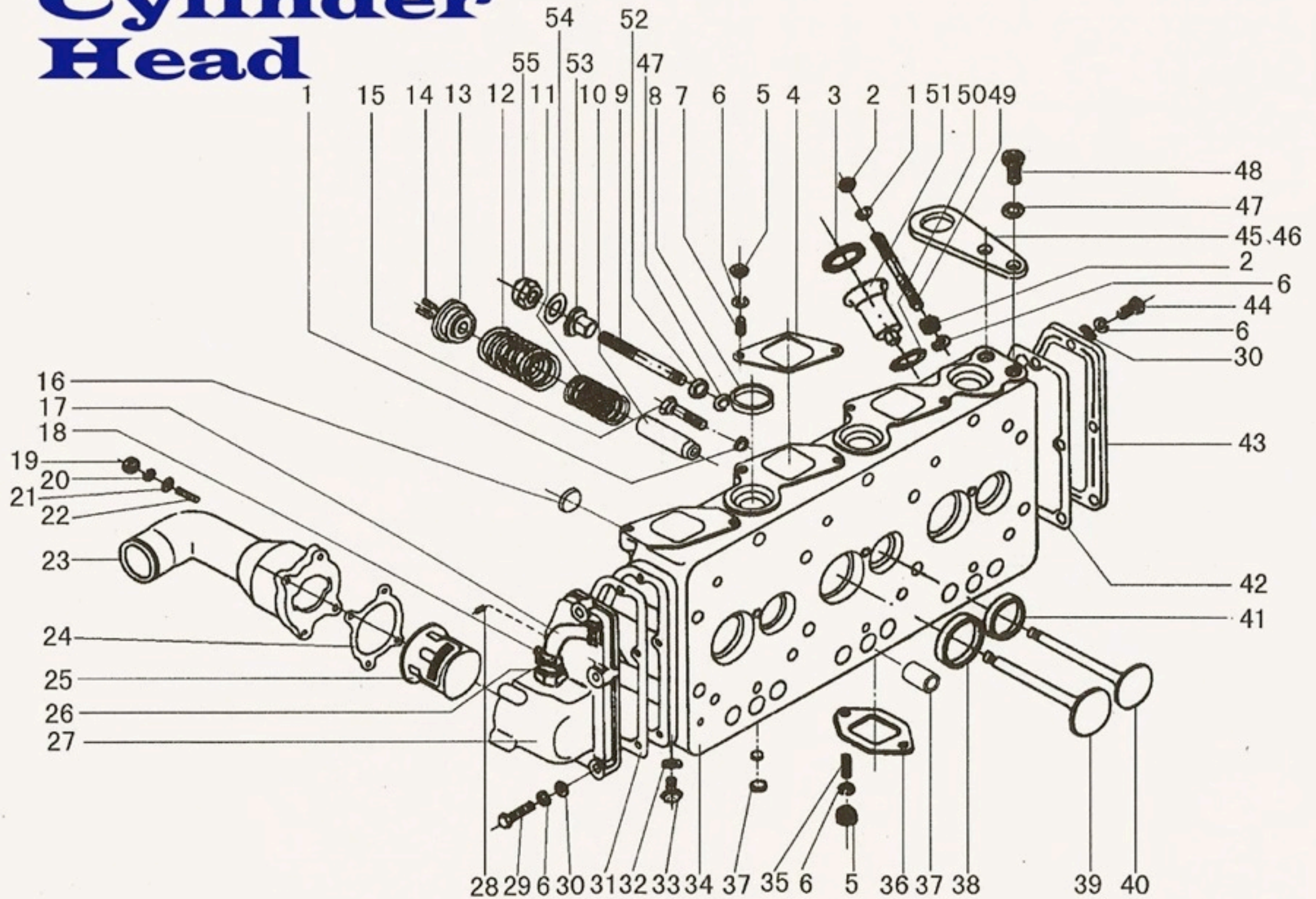
Cylinder Block Assembly



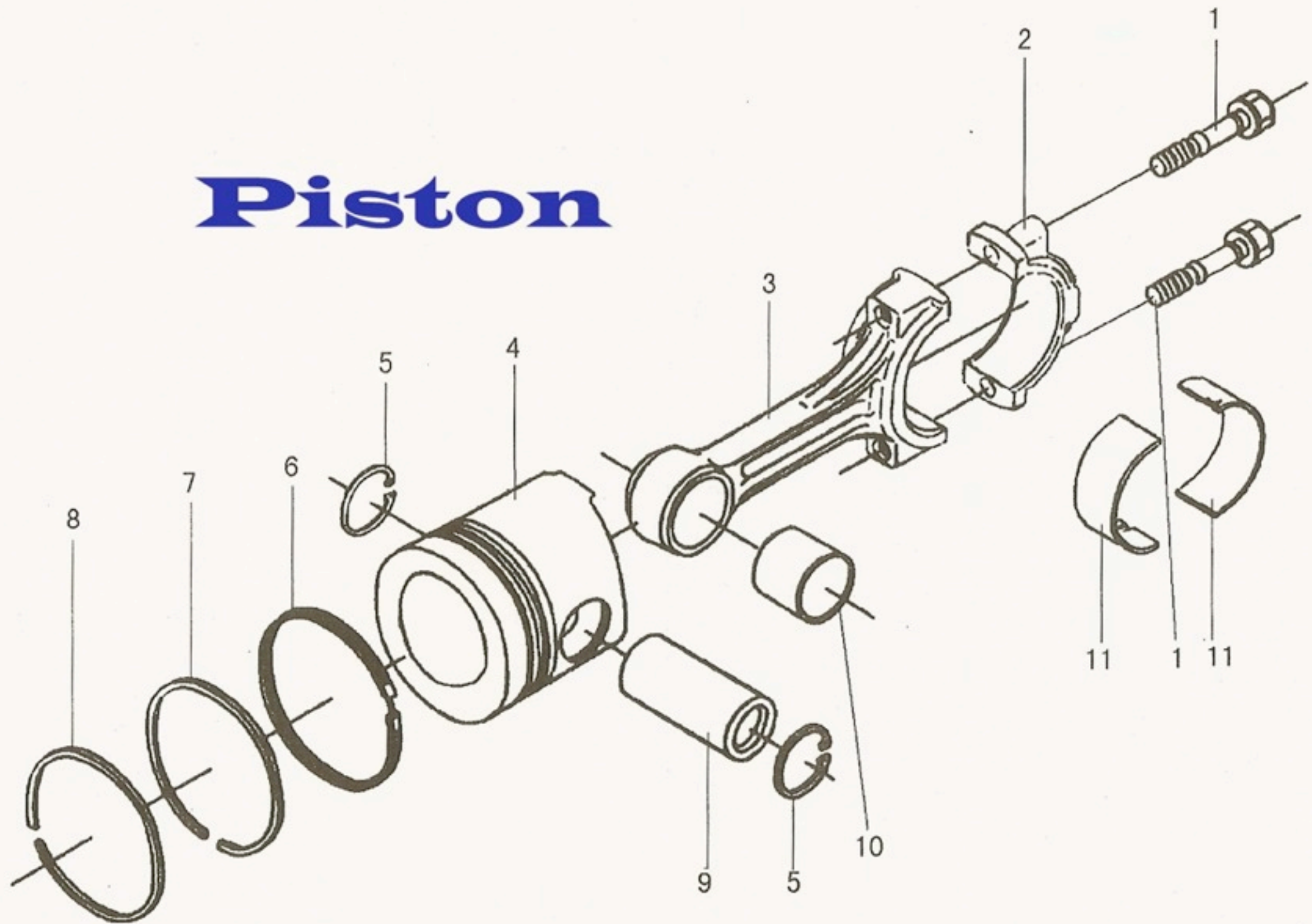
Gear Housing Assembly



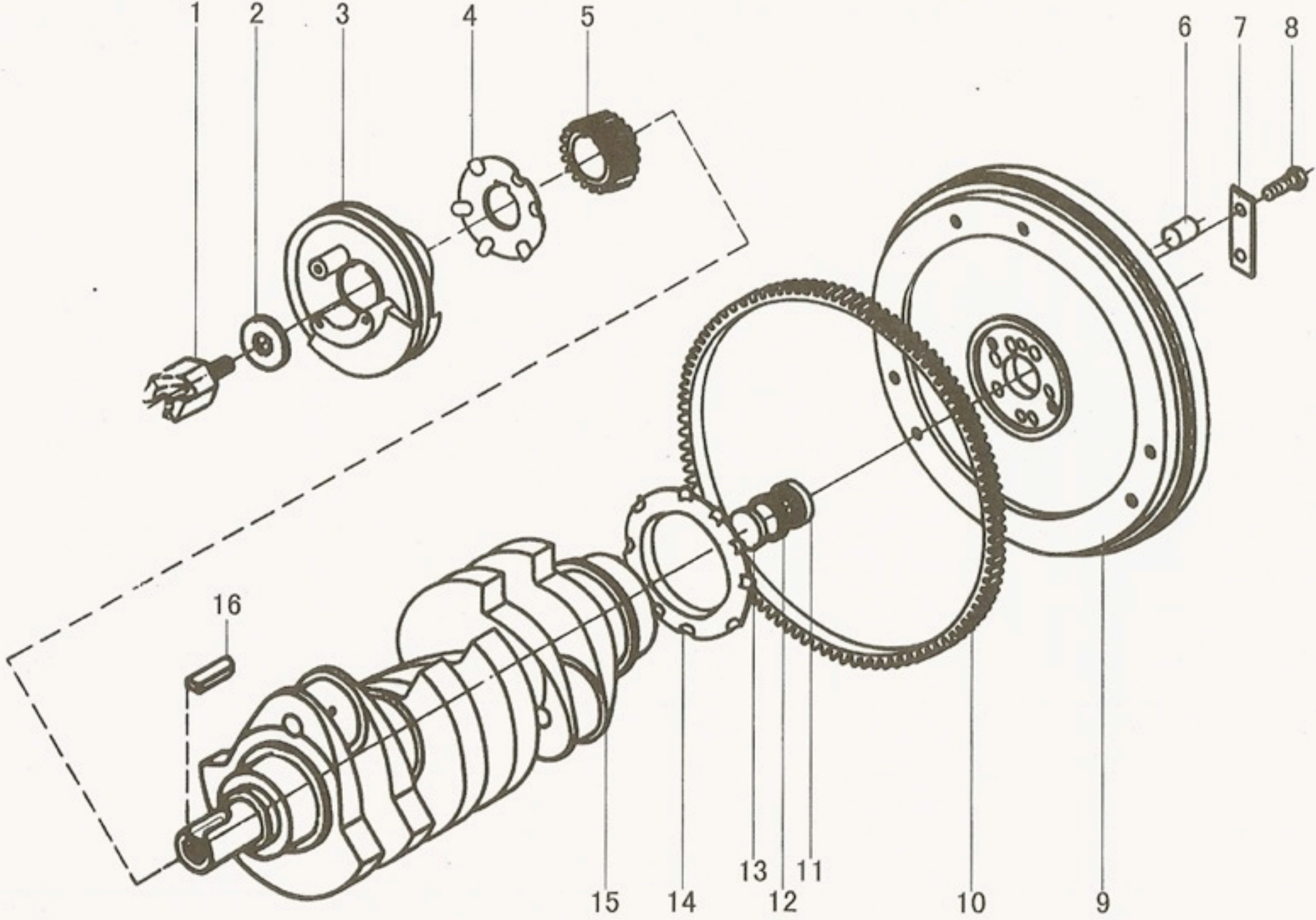
Cylinder Head



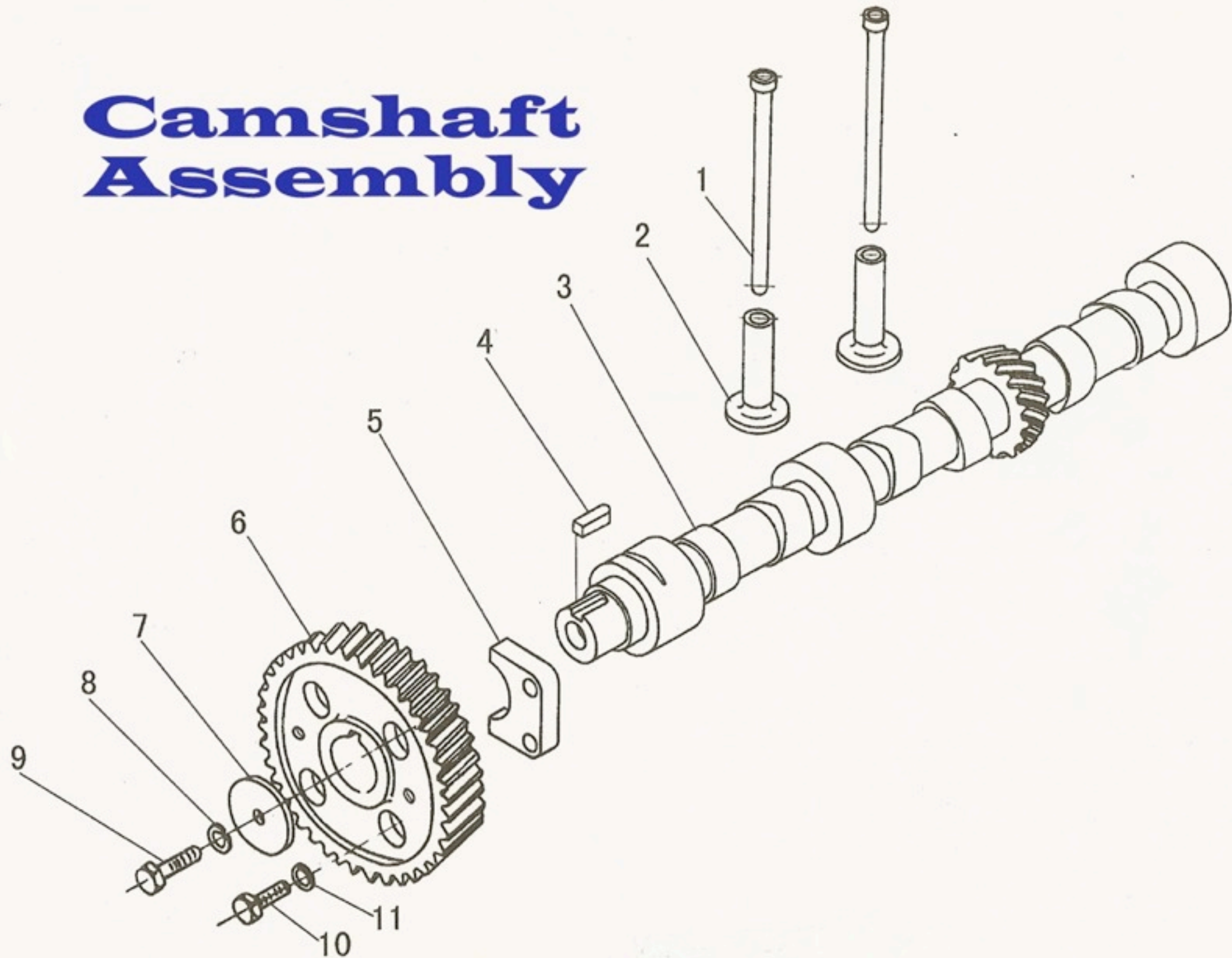
Piston



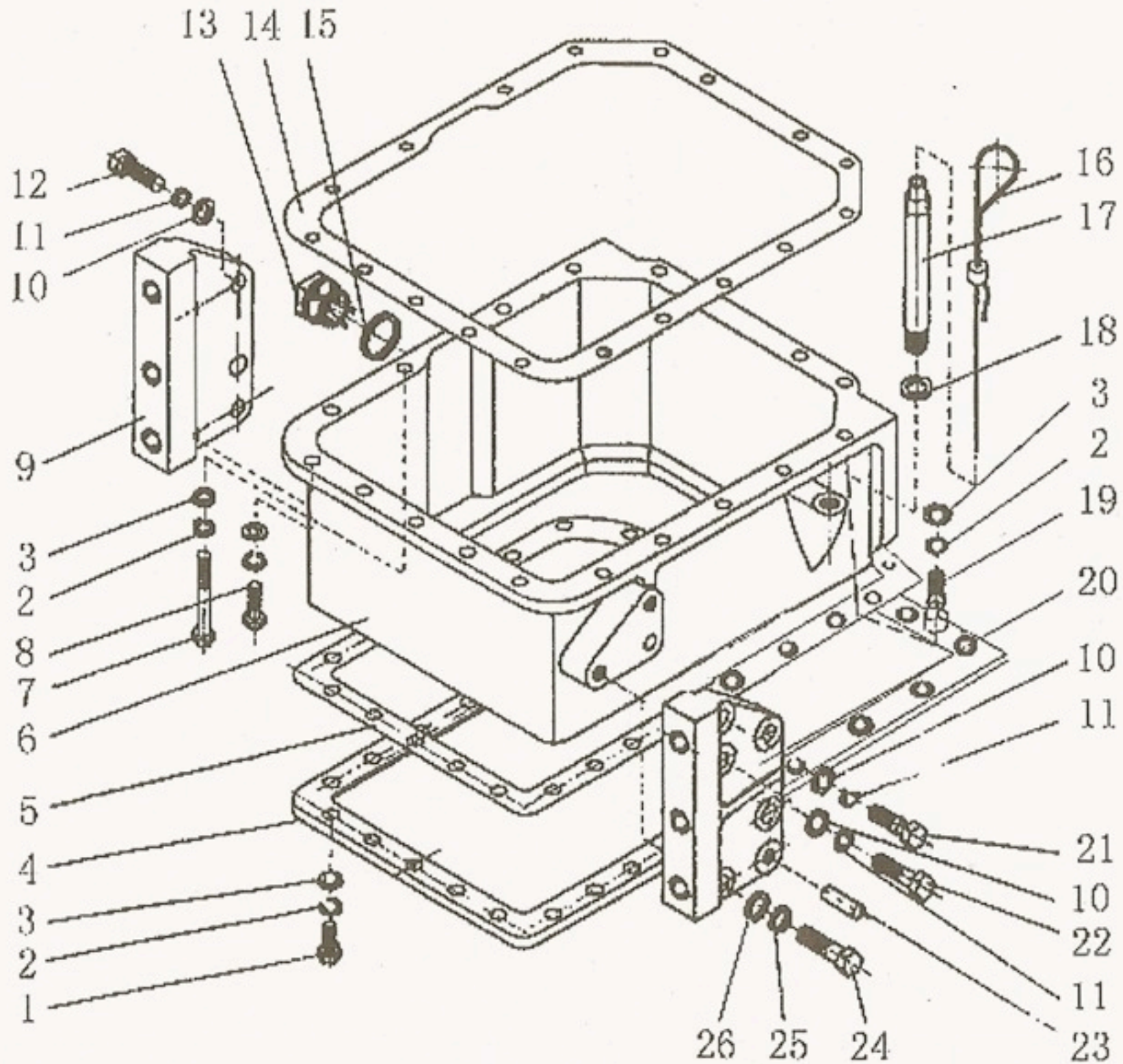
Crankshaft and fly wheel



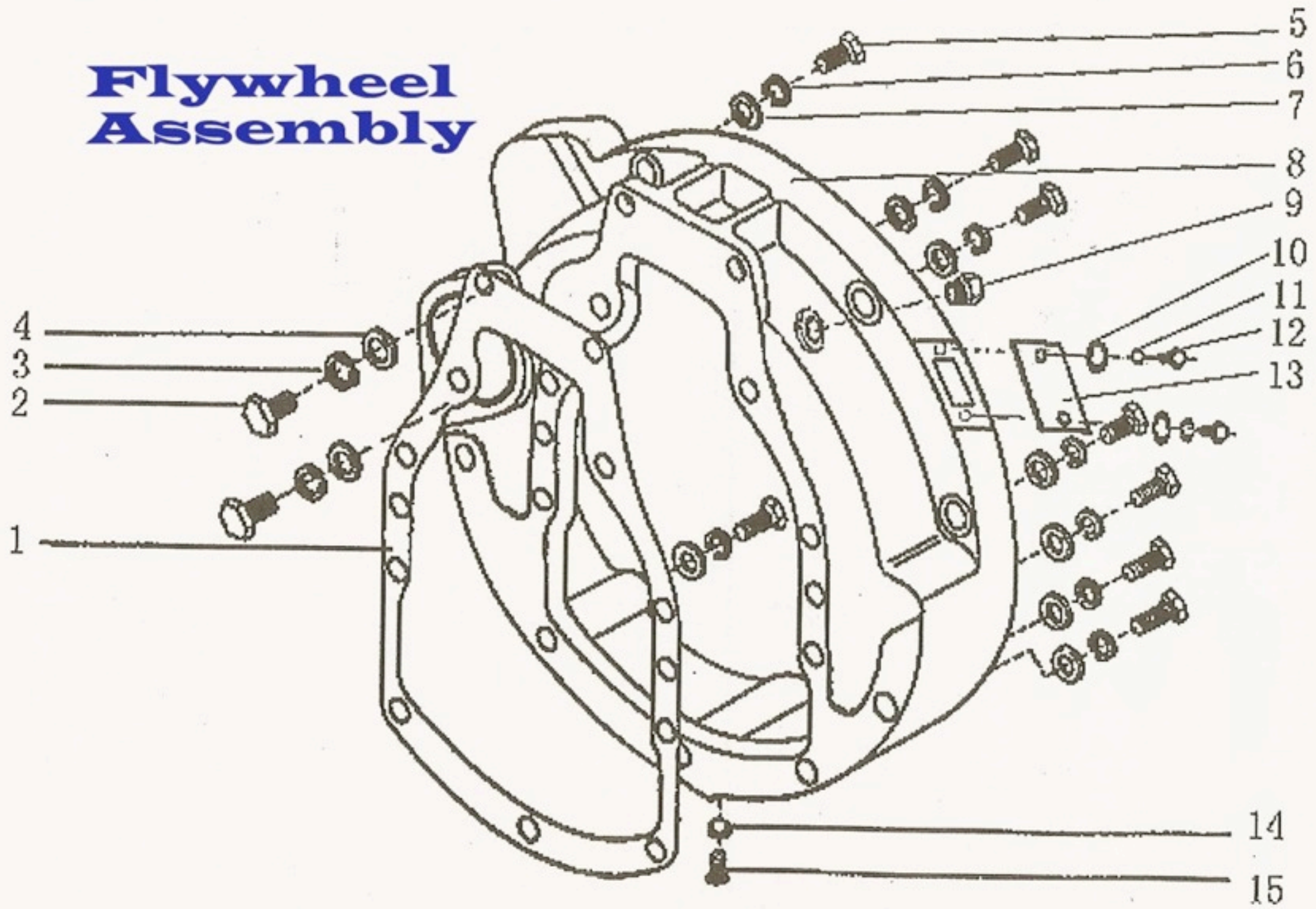
Camshaft Assembly



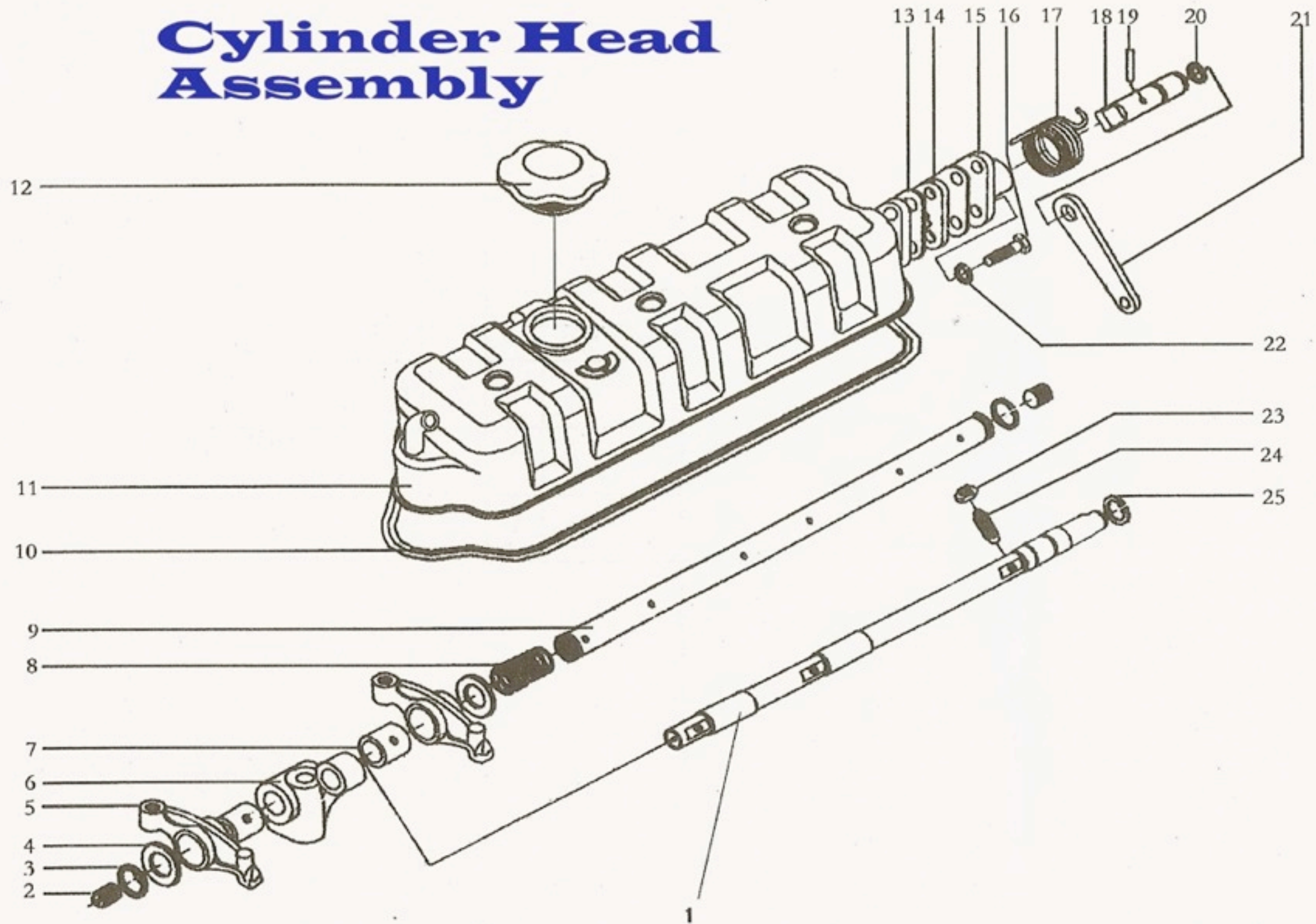
Oil Sump Assembly

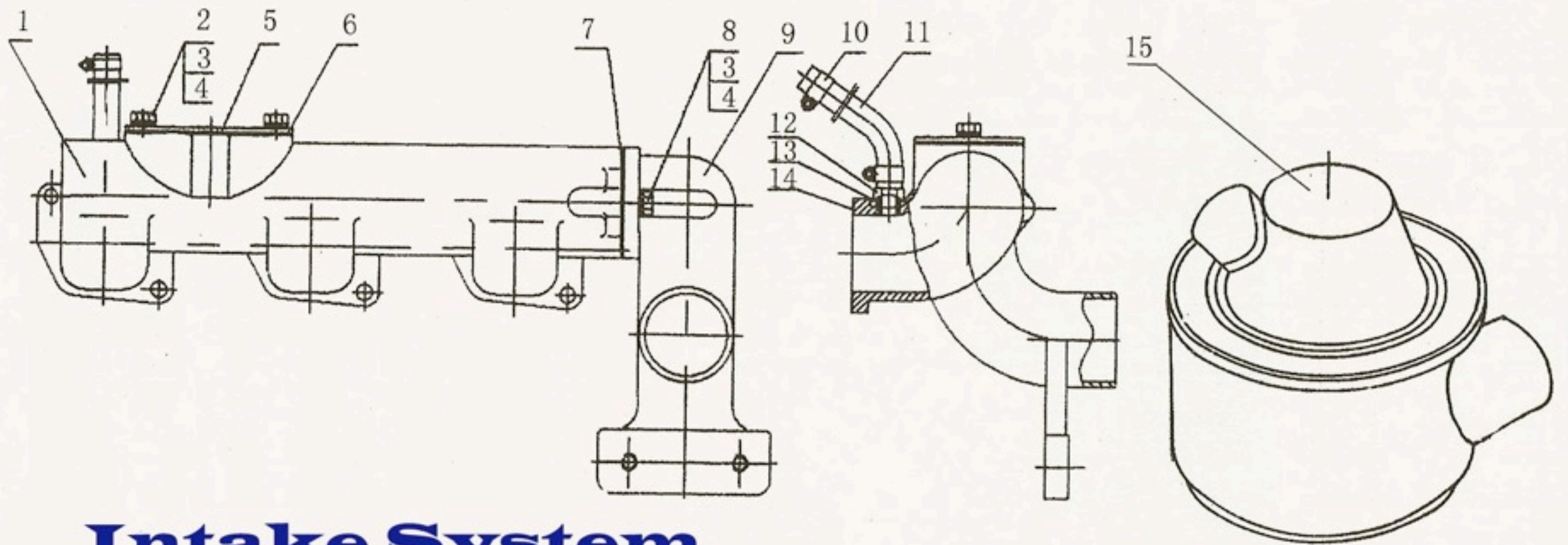


Flywheel Assembly

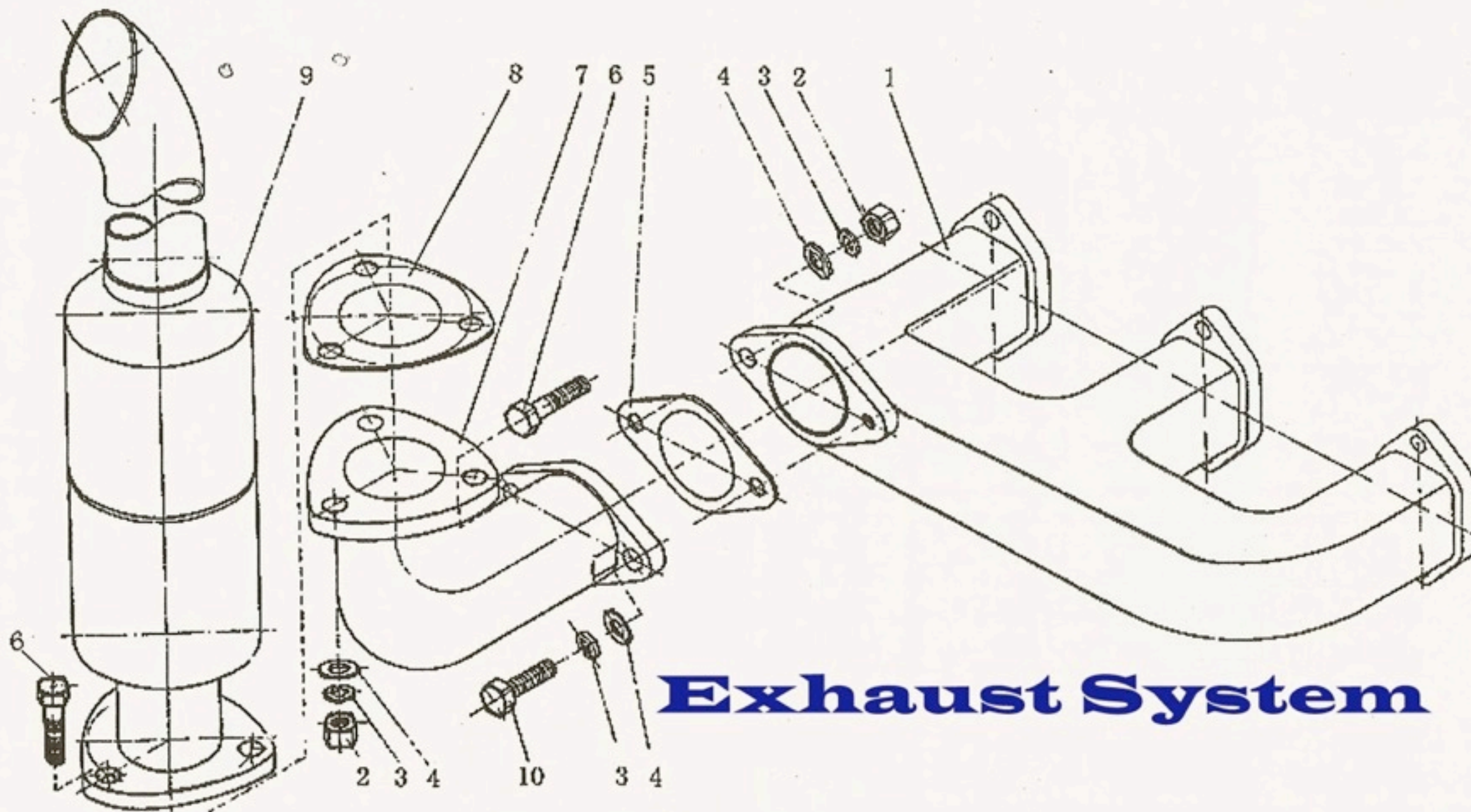


Cylinder Head Assembly

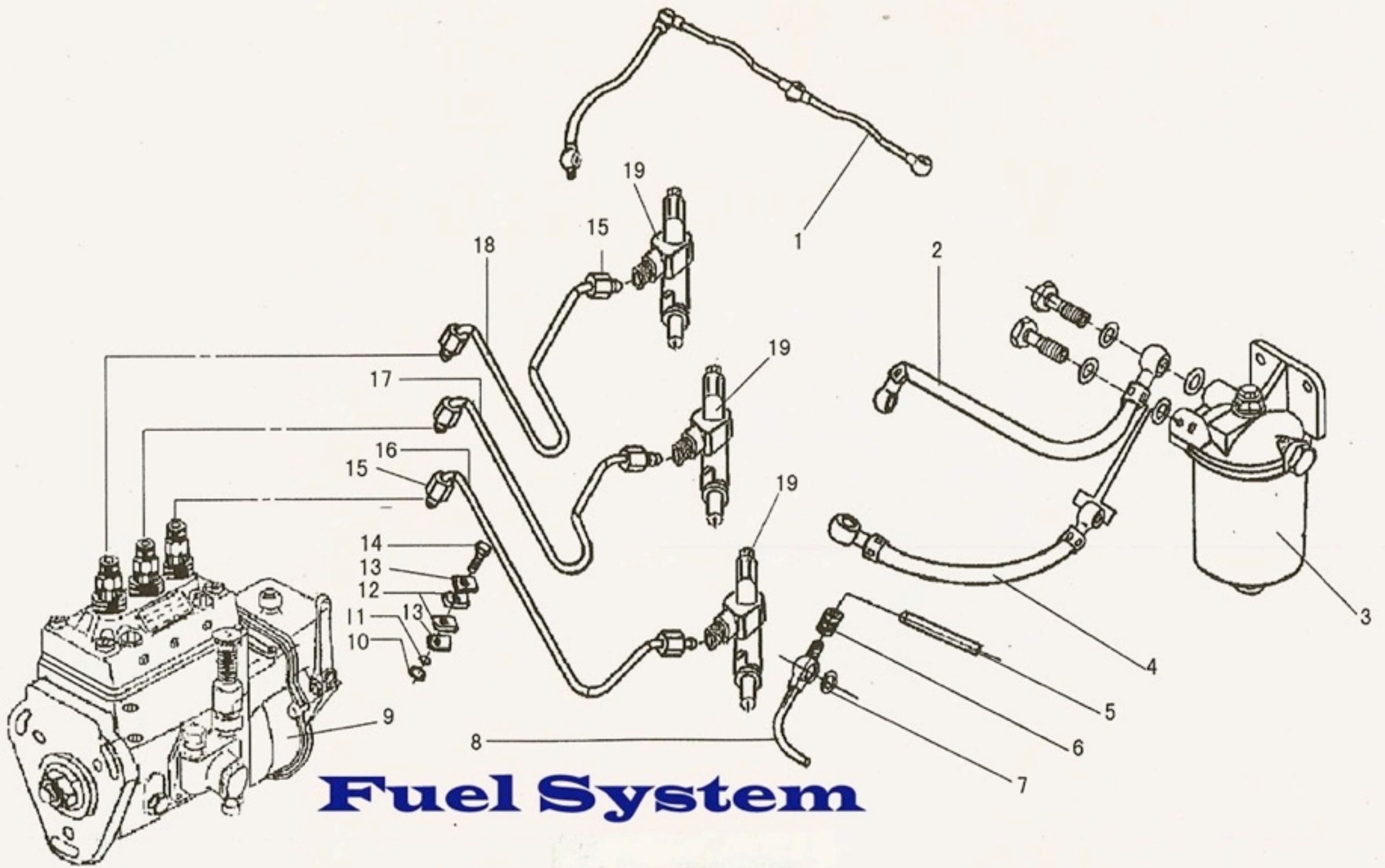




Intake System

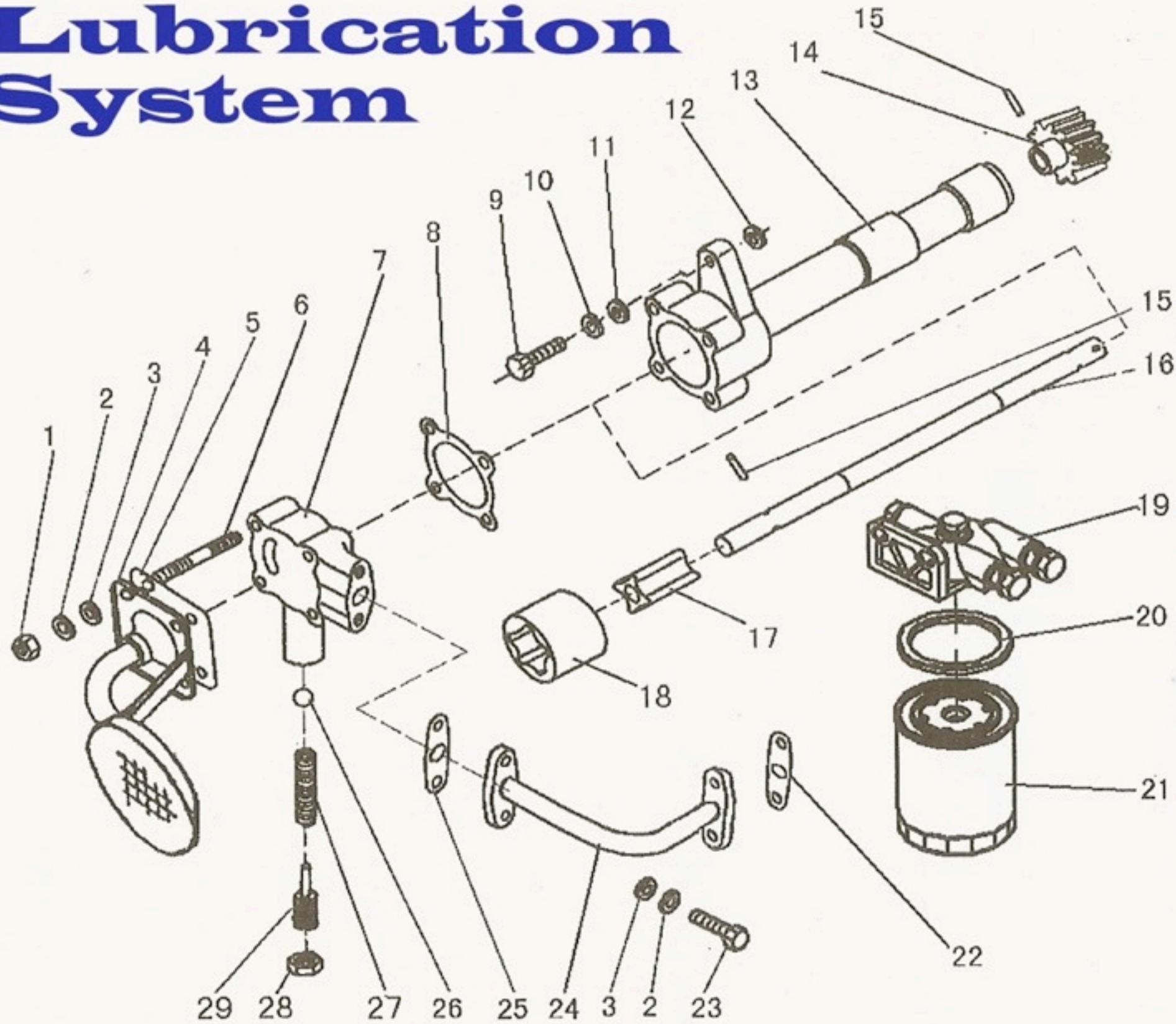


Exhaust System

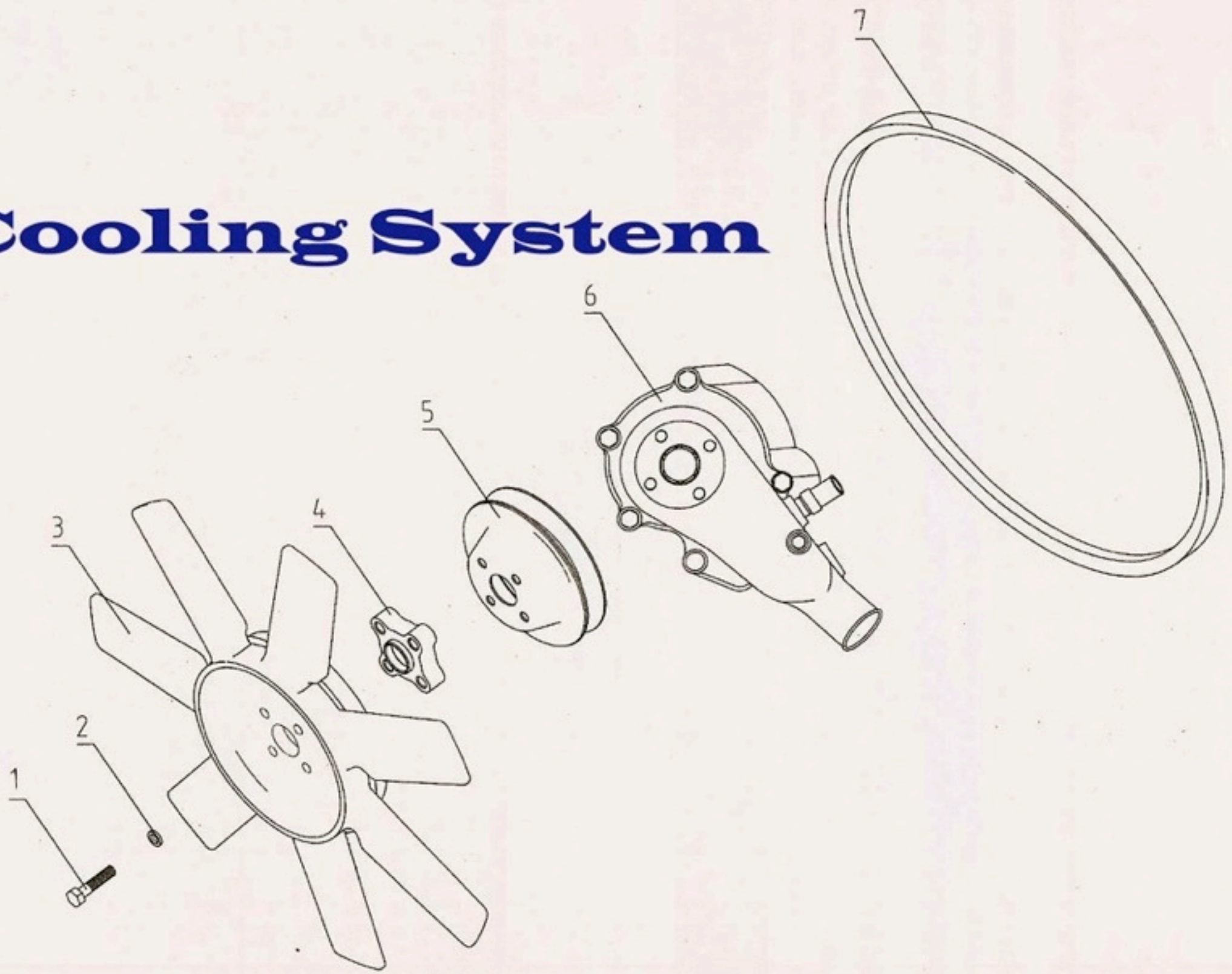


Fuel System

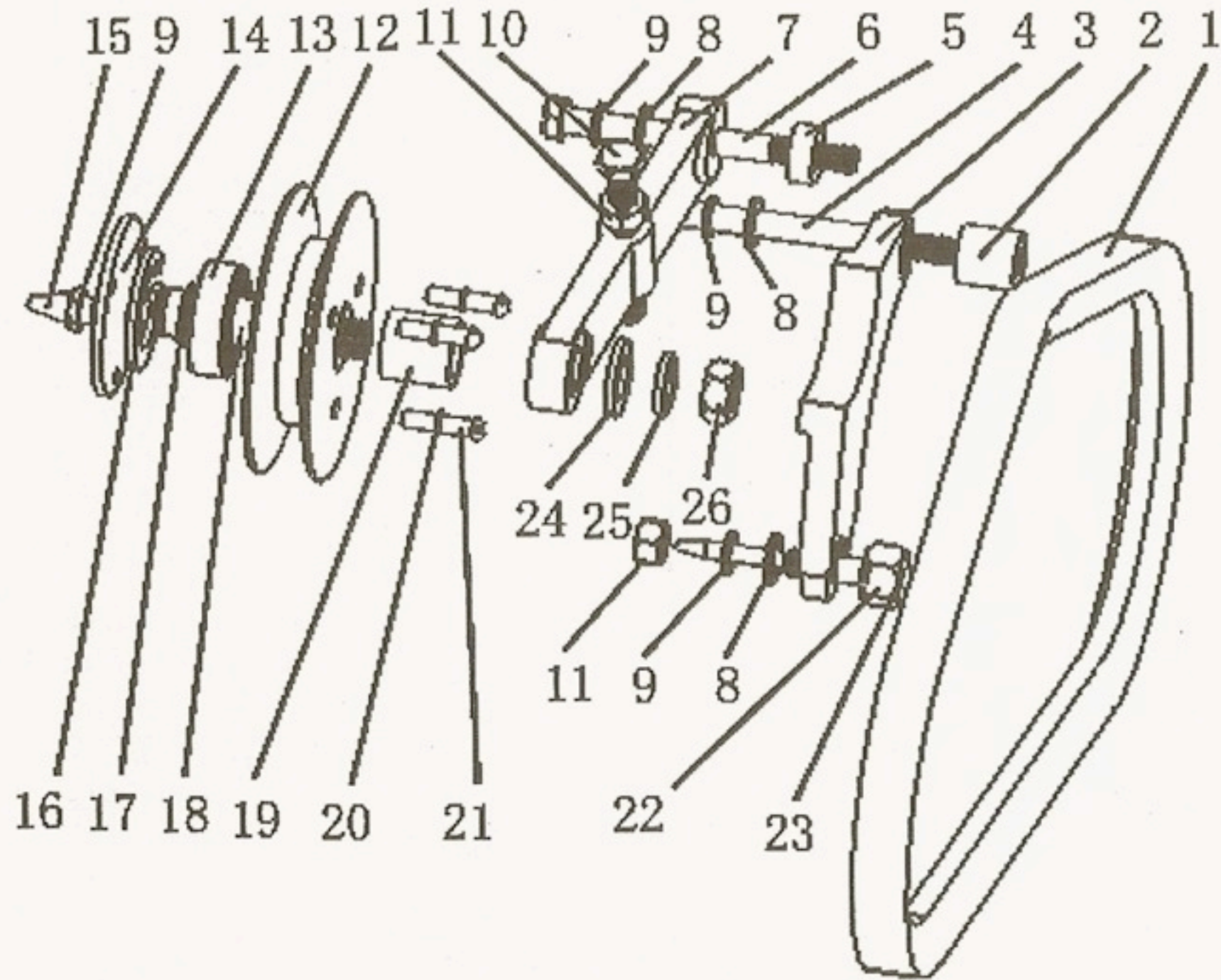
Lubrication System

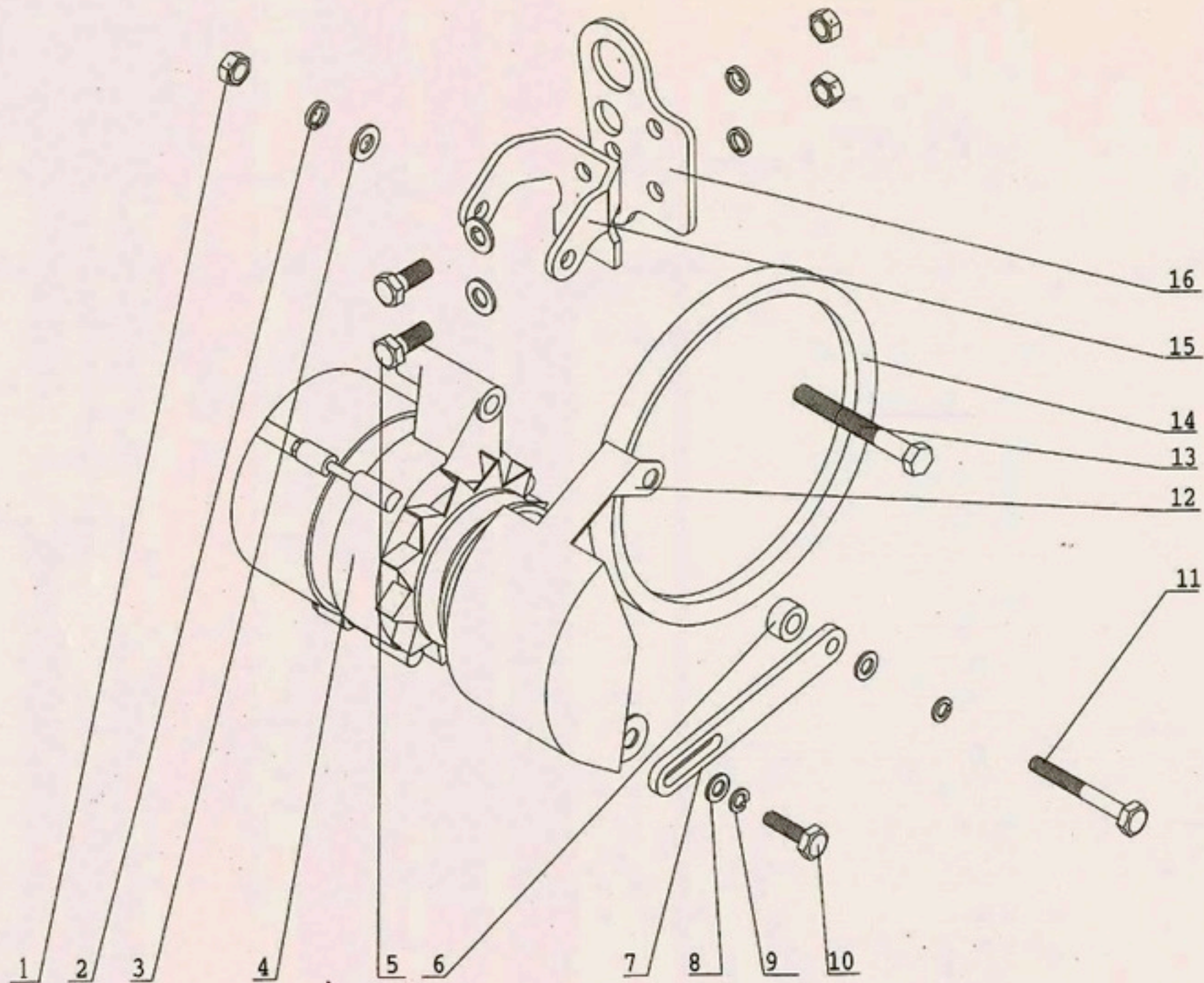


Cooling System

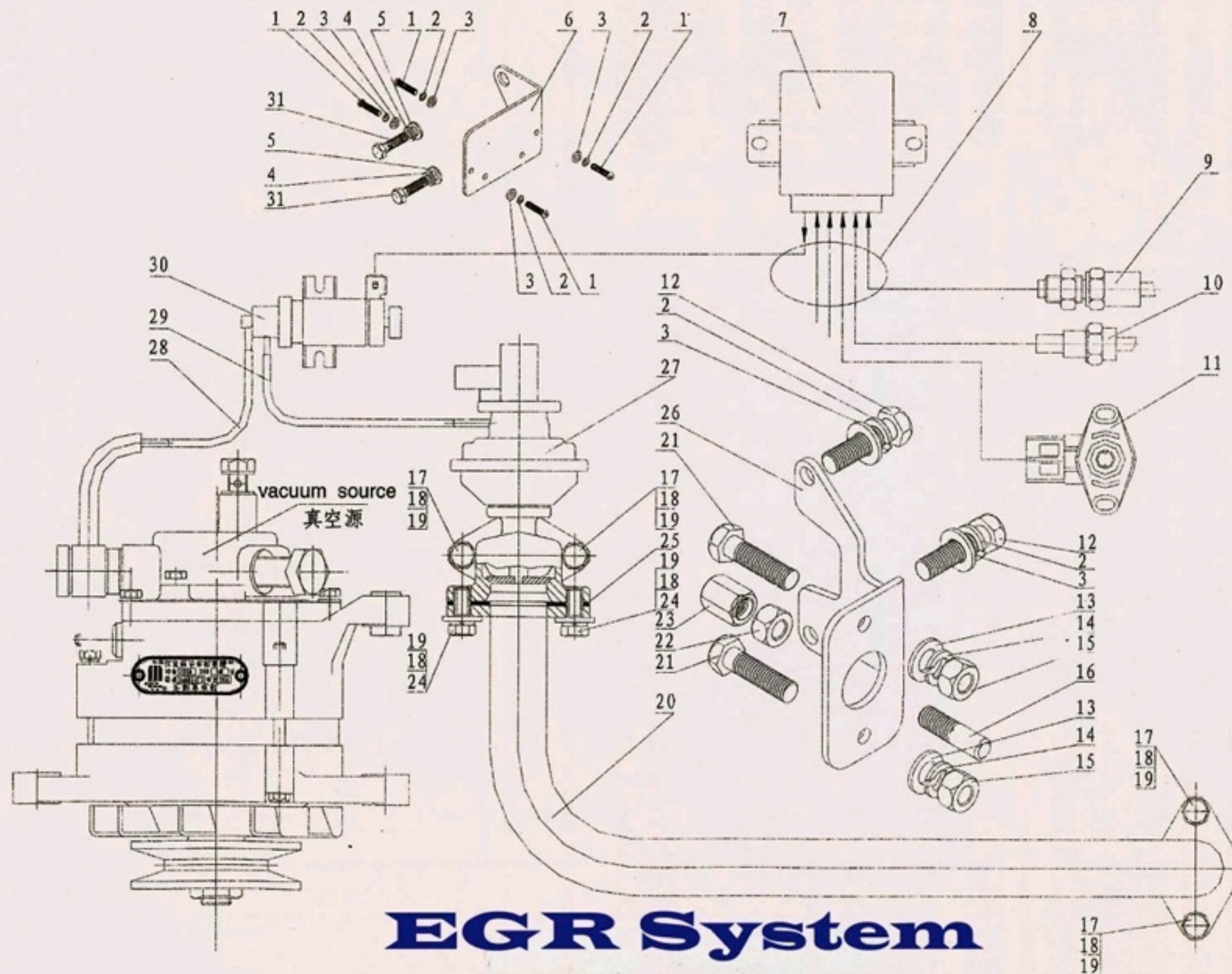


Jockey Wheel Assembly





Generator Support Assembly



EGR System