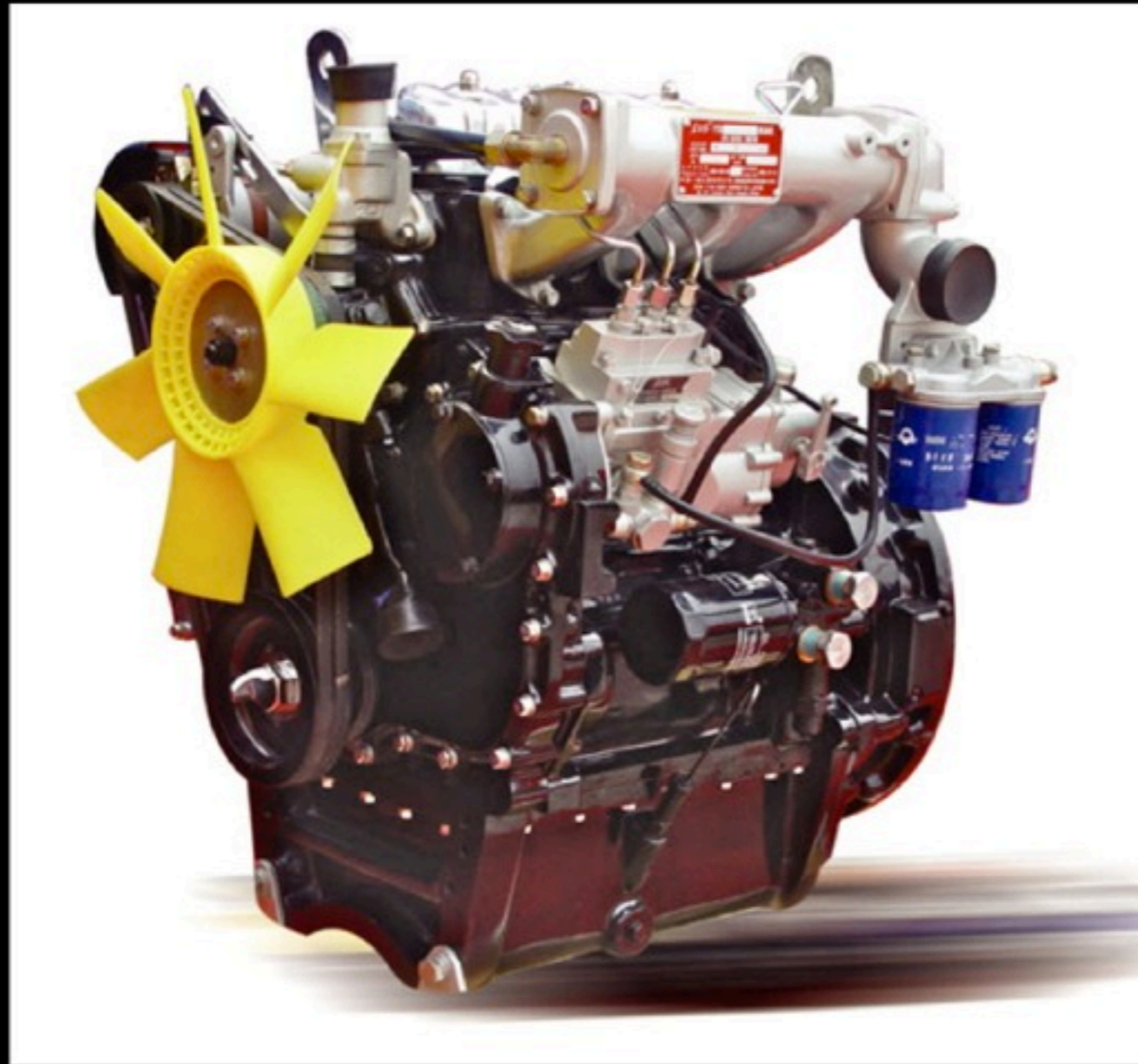
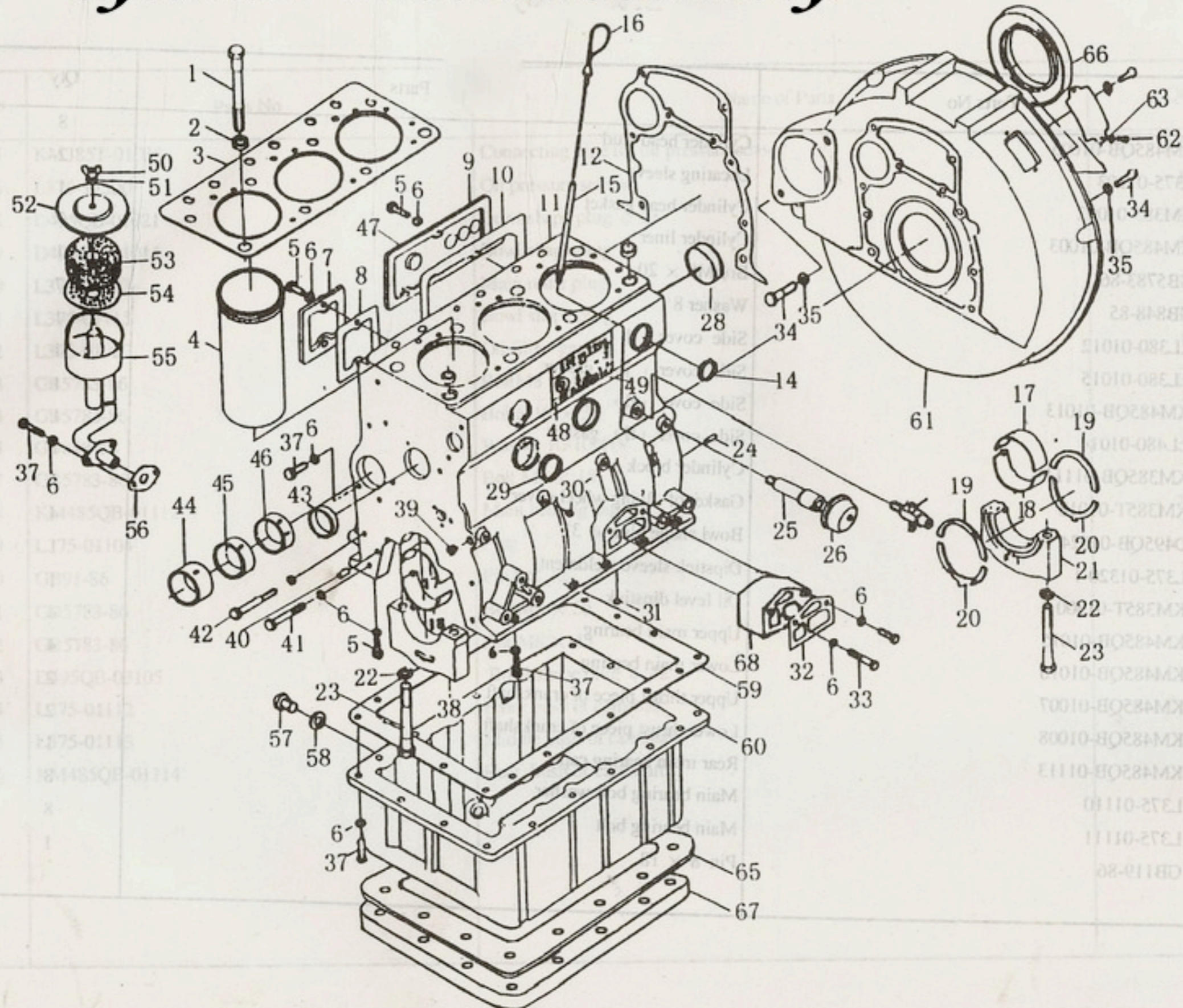


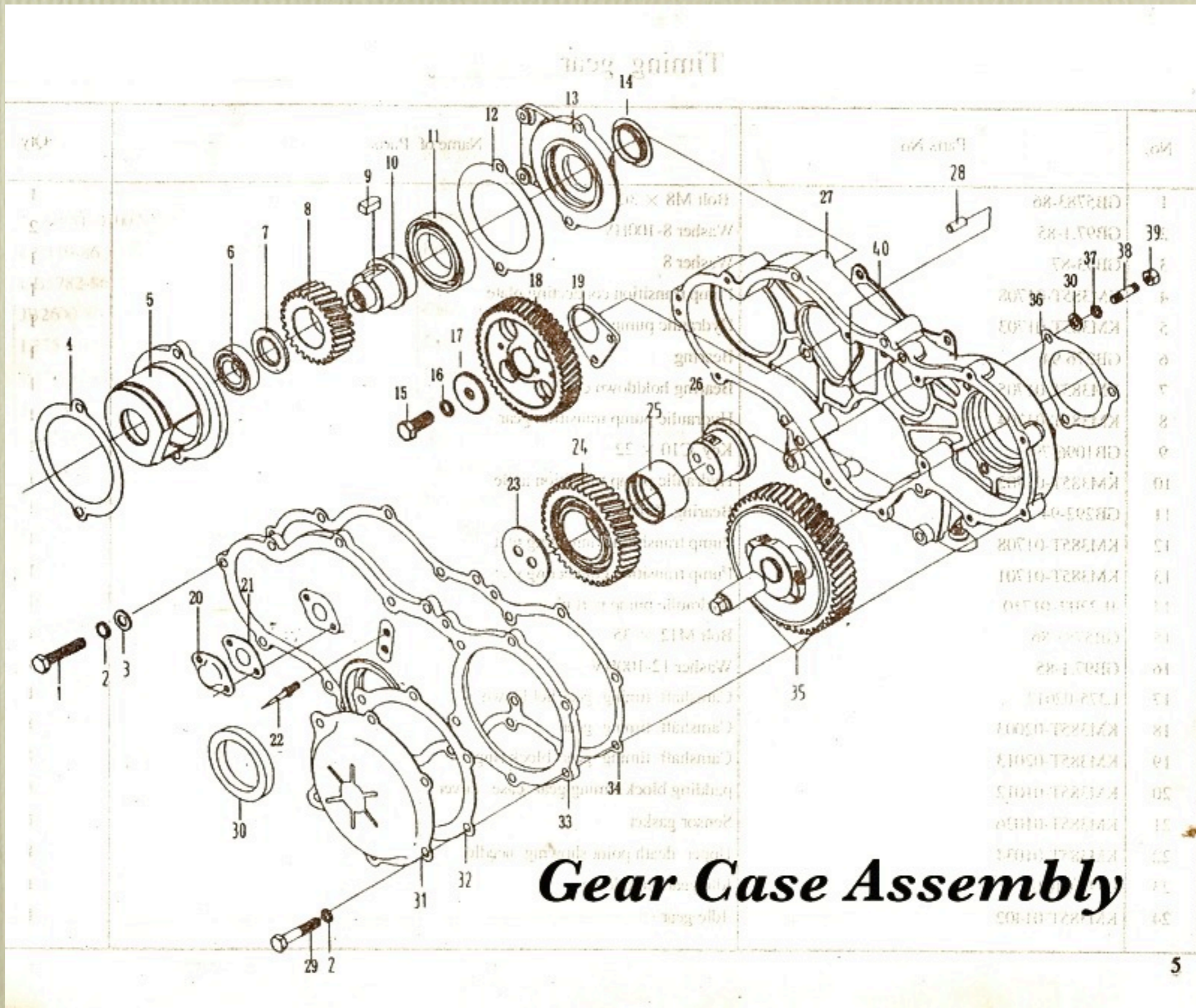
ENGINE 385



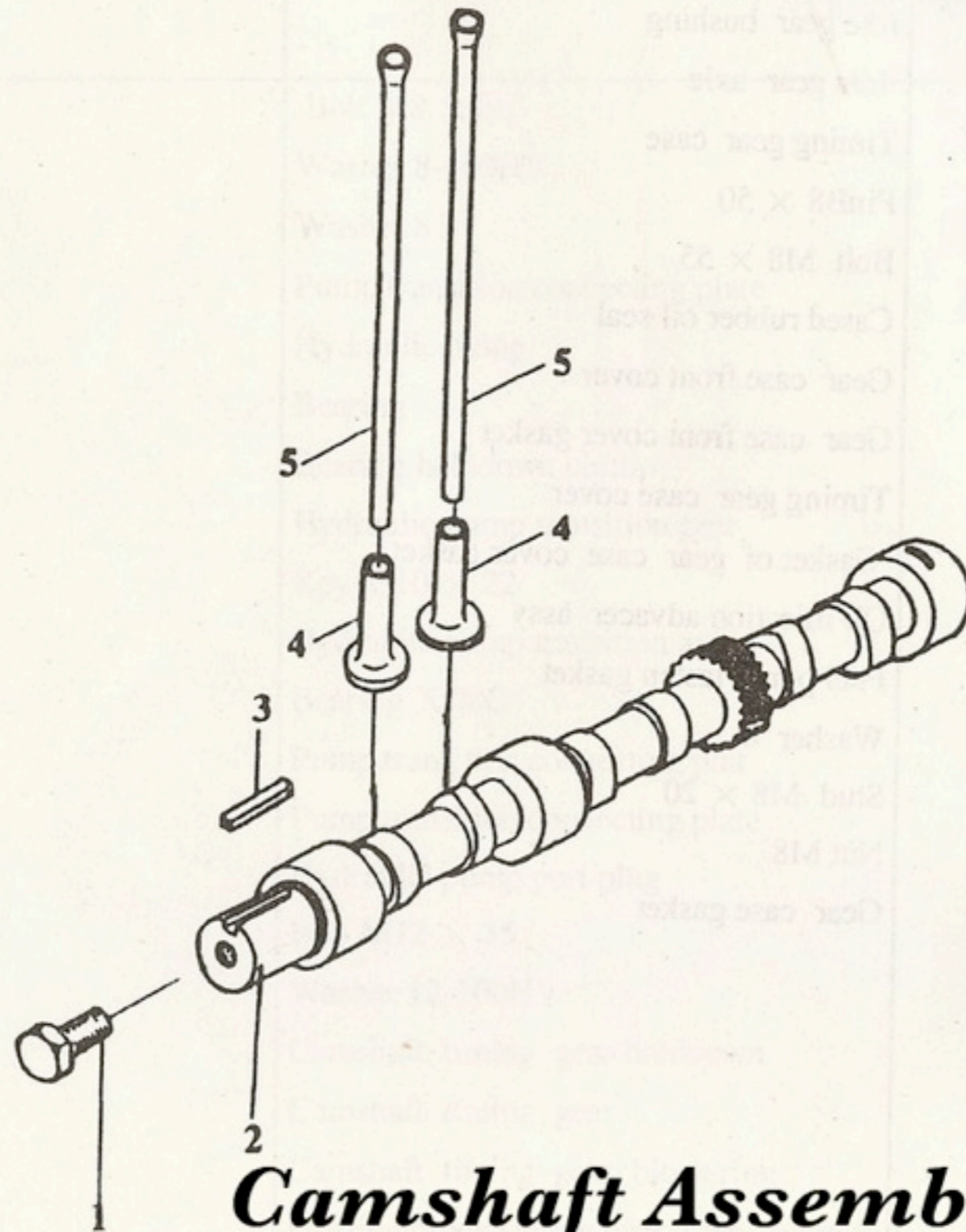
Laidong

Cylinder Block Assembly



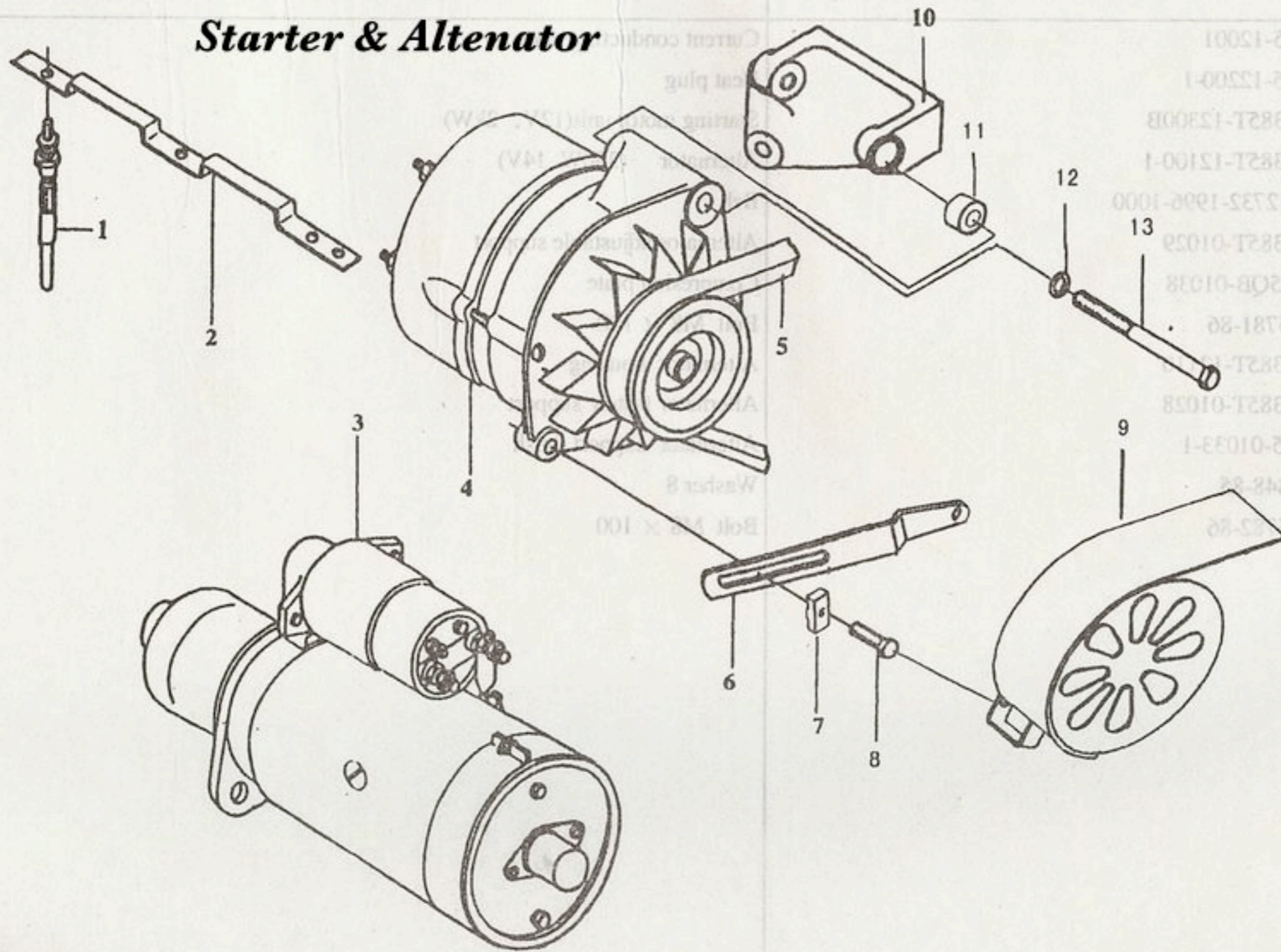


Gear Case Assembly



Camshaft Assembly

Starter & Alternator



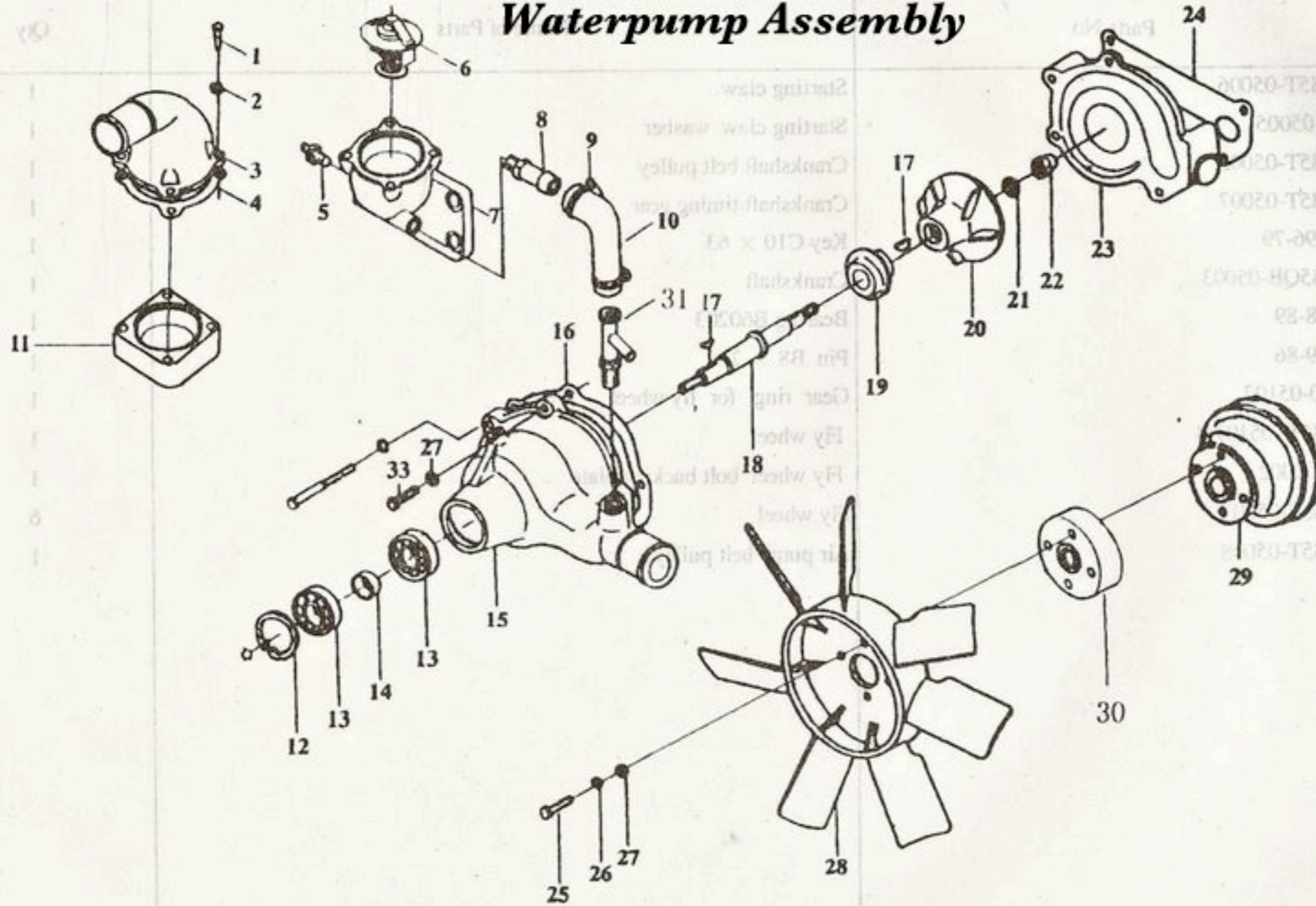
Name of Parts

Parts No

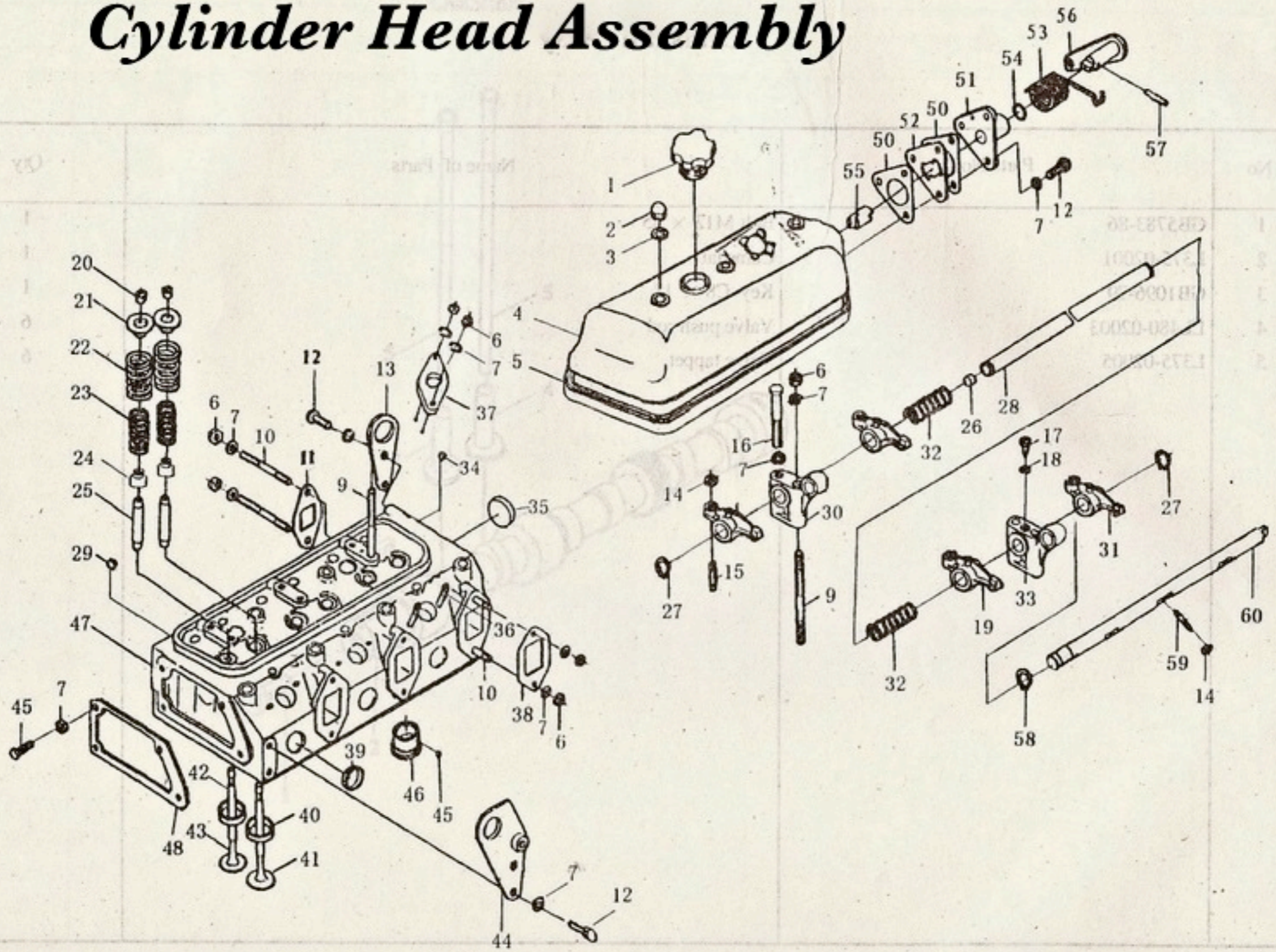
L375-12001
L375-1200-1
KM385T-12300B
KM385T-12100-1
GB12732-1996-1000
KM385T-01029
D492QB-01038
GB2781-86
KM385T-1
KM385T-01028
L375-01033-1
GB848-88
GB852-86

Washer 8
Bolt M8 x 100

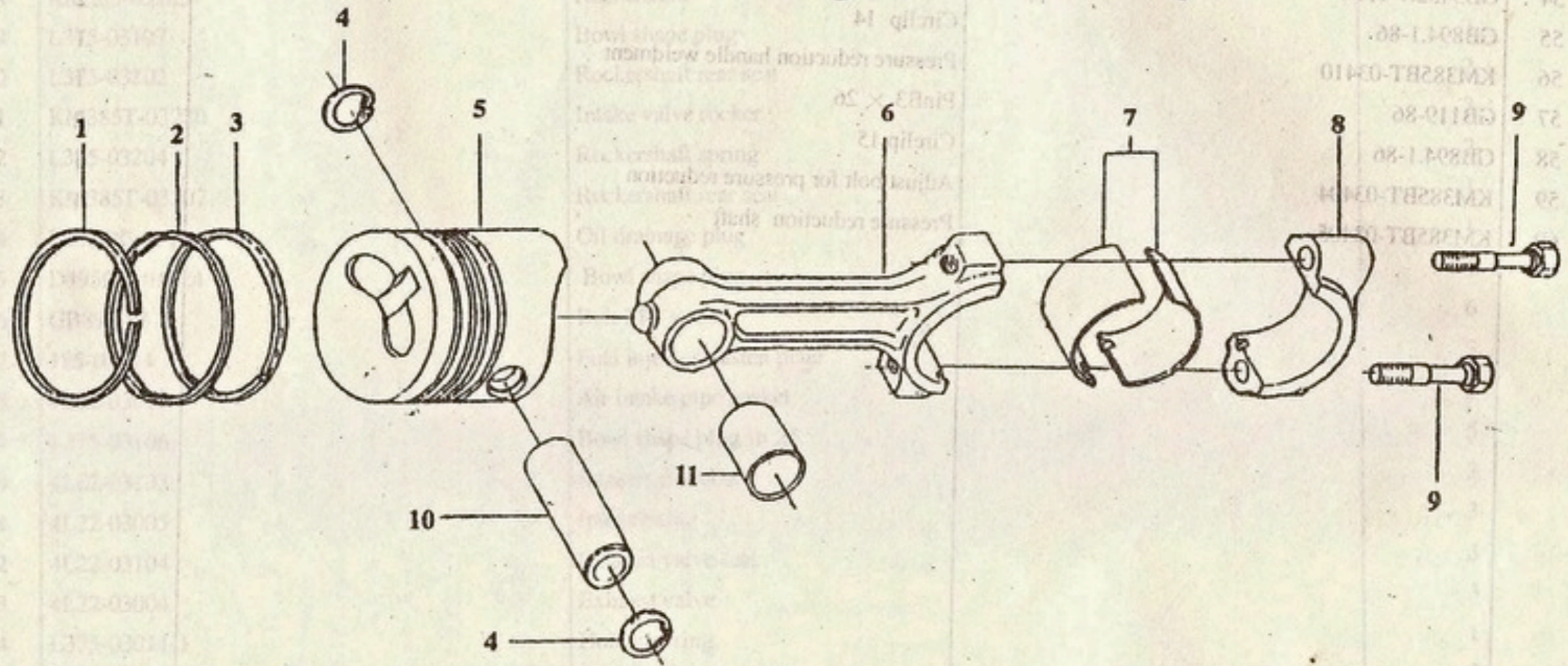
Thermostat- Waterpump Assembly



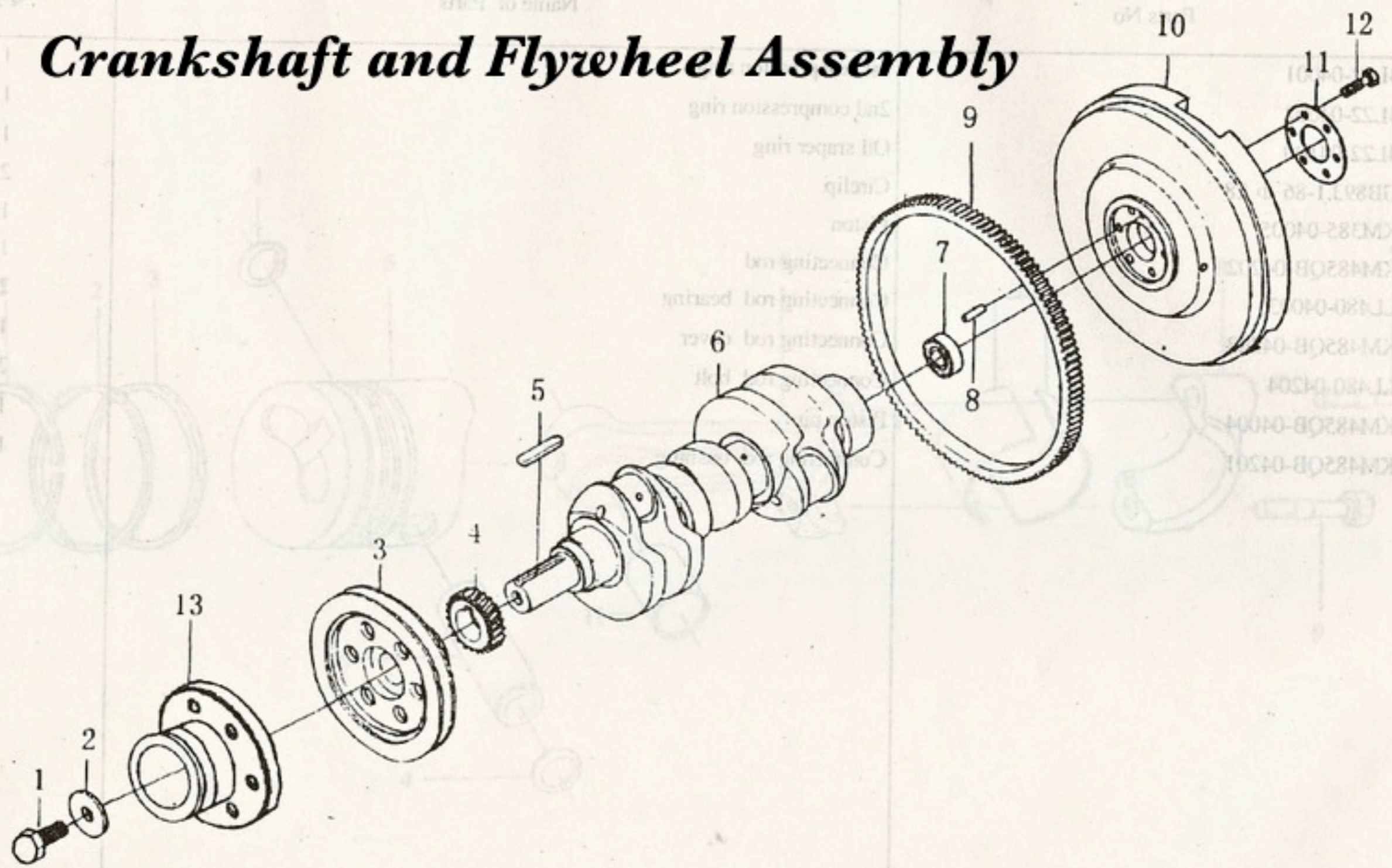
Cylinder Head Assembly



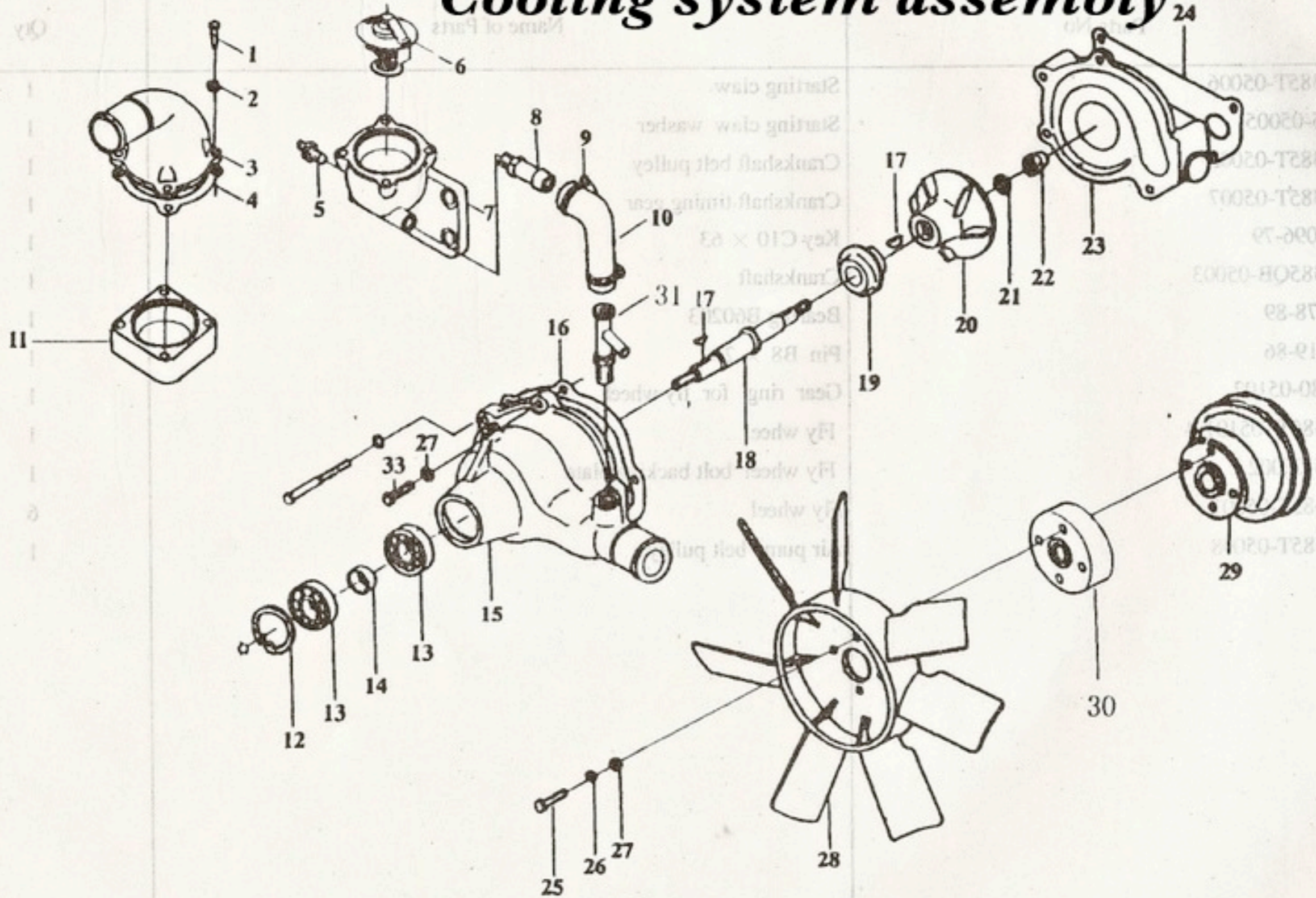
Piston and connecting Rod assembly



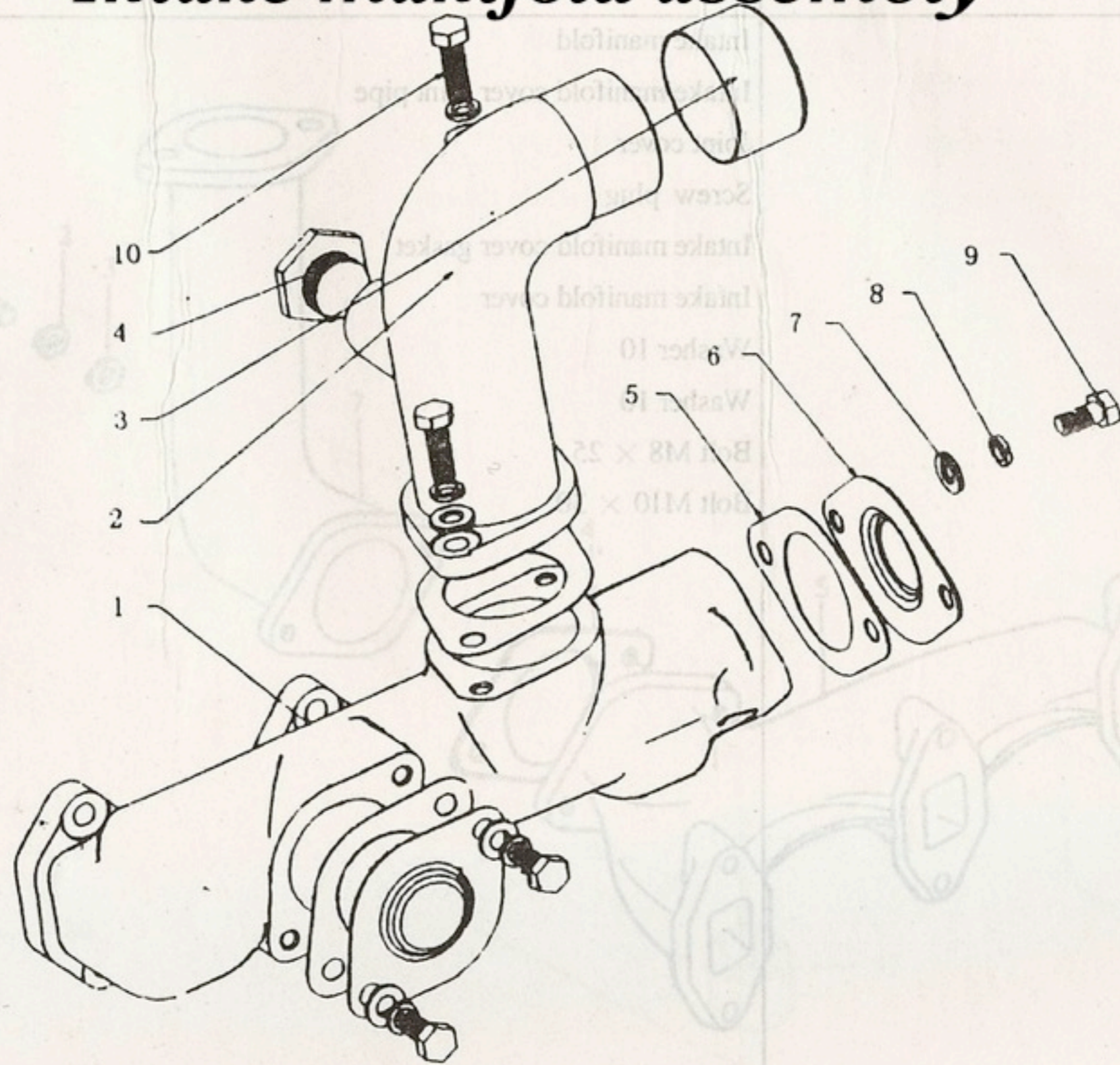
Crankshaft and Flywheel Assembly



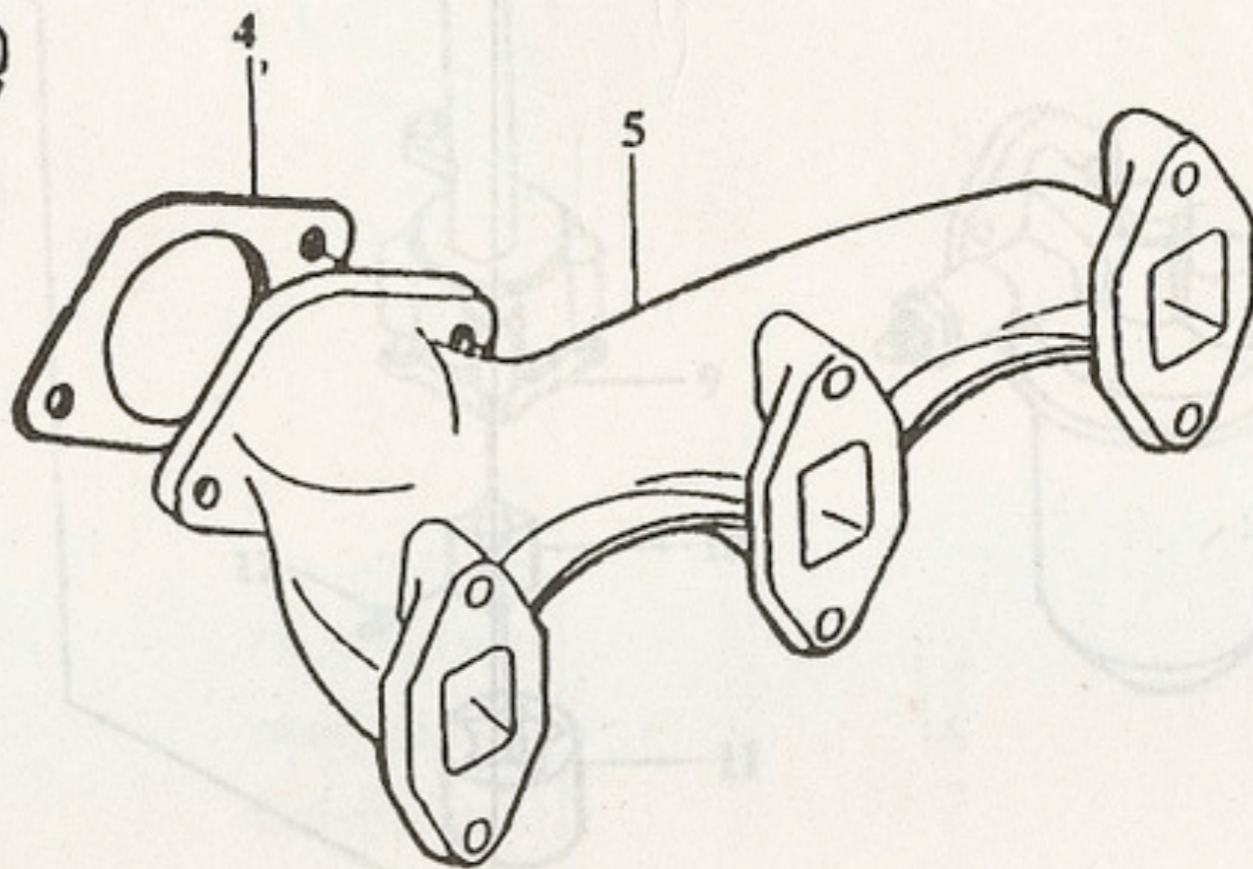
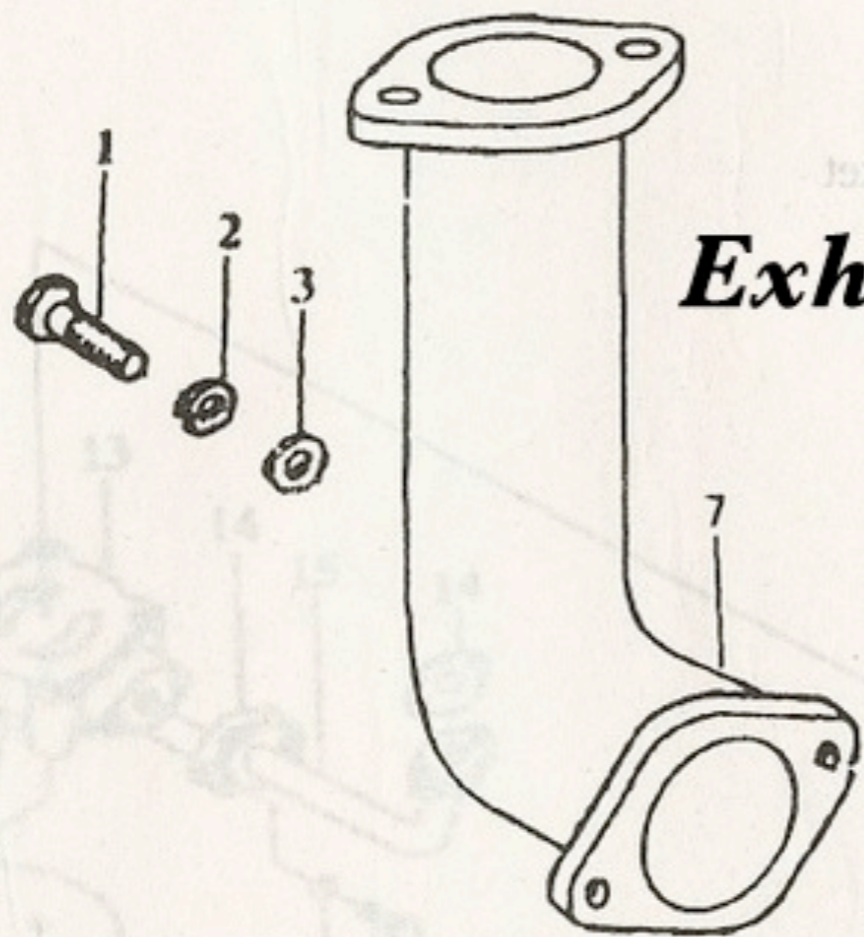
Cooling system assembly

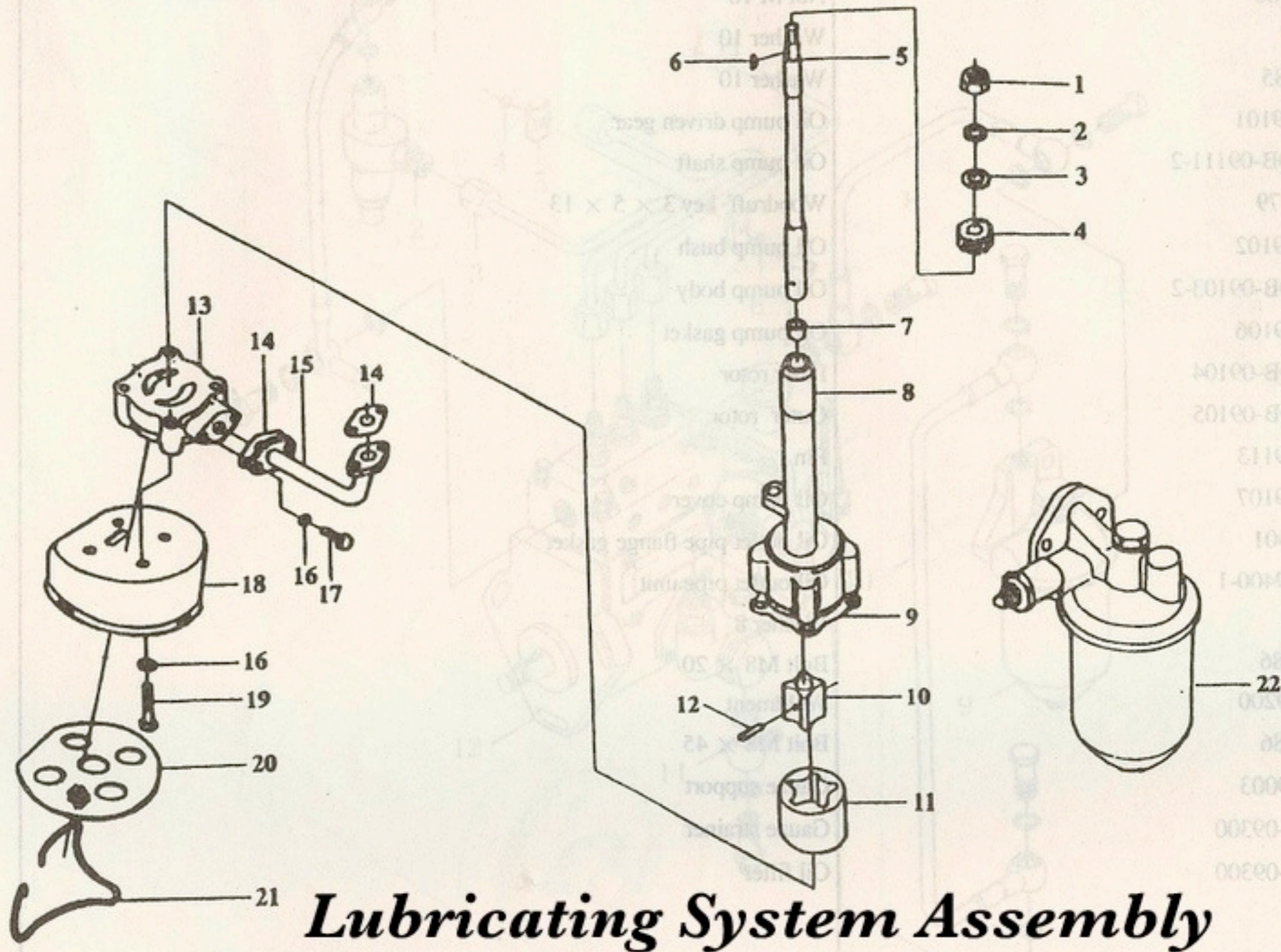


Intake manifold assembly



Exhaust Manifold assembly





Lubricating System Assembly

