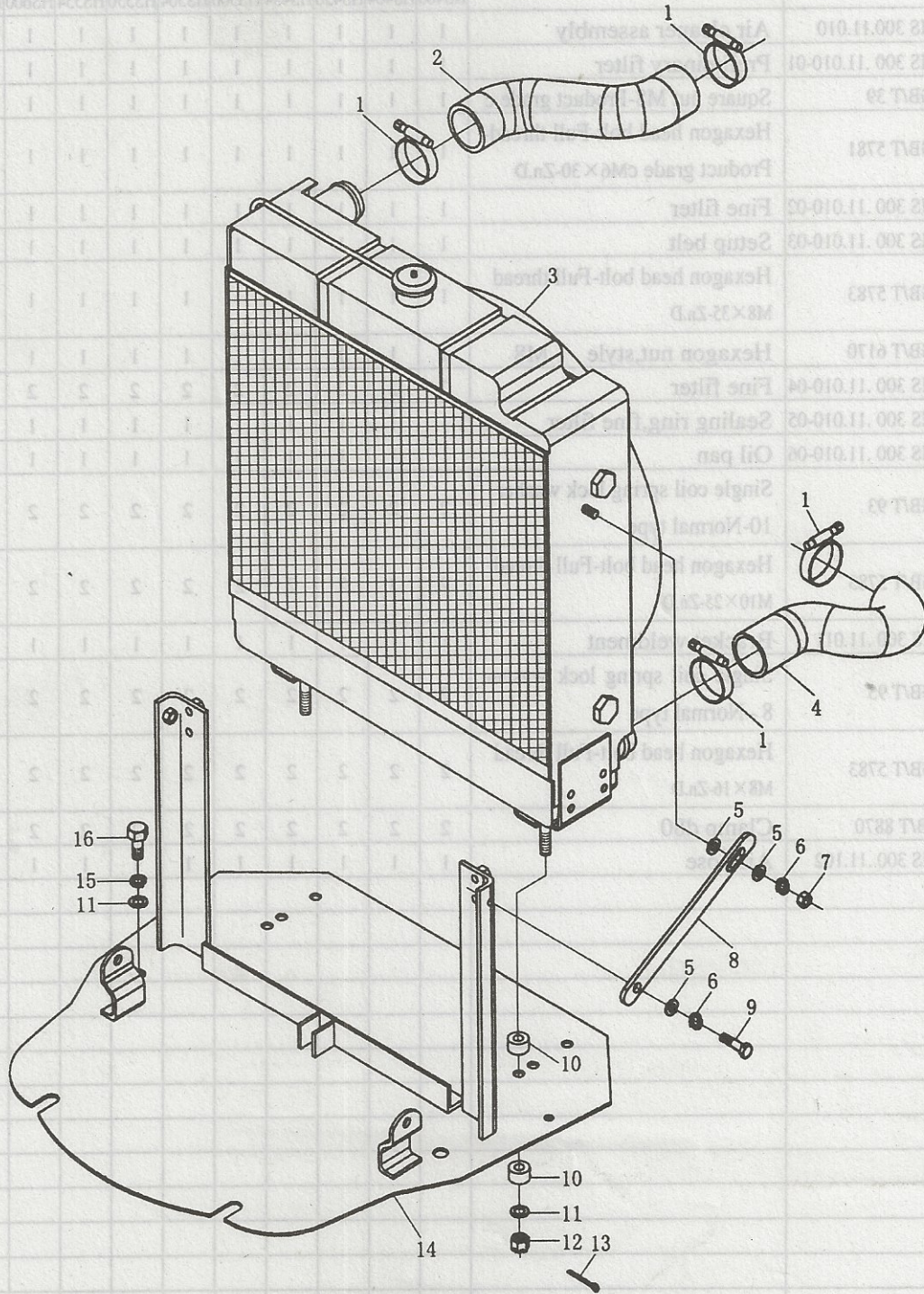
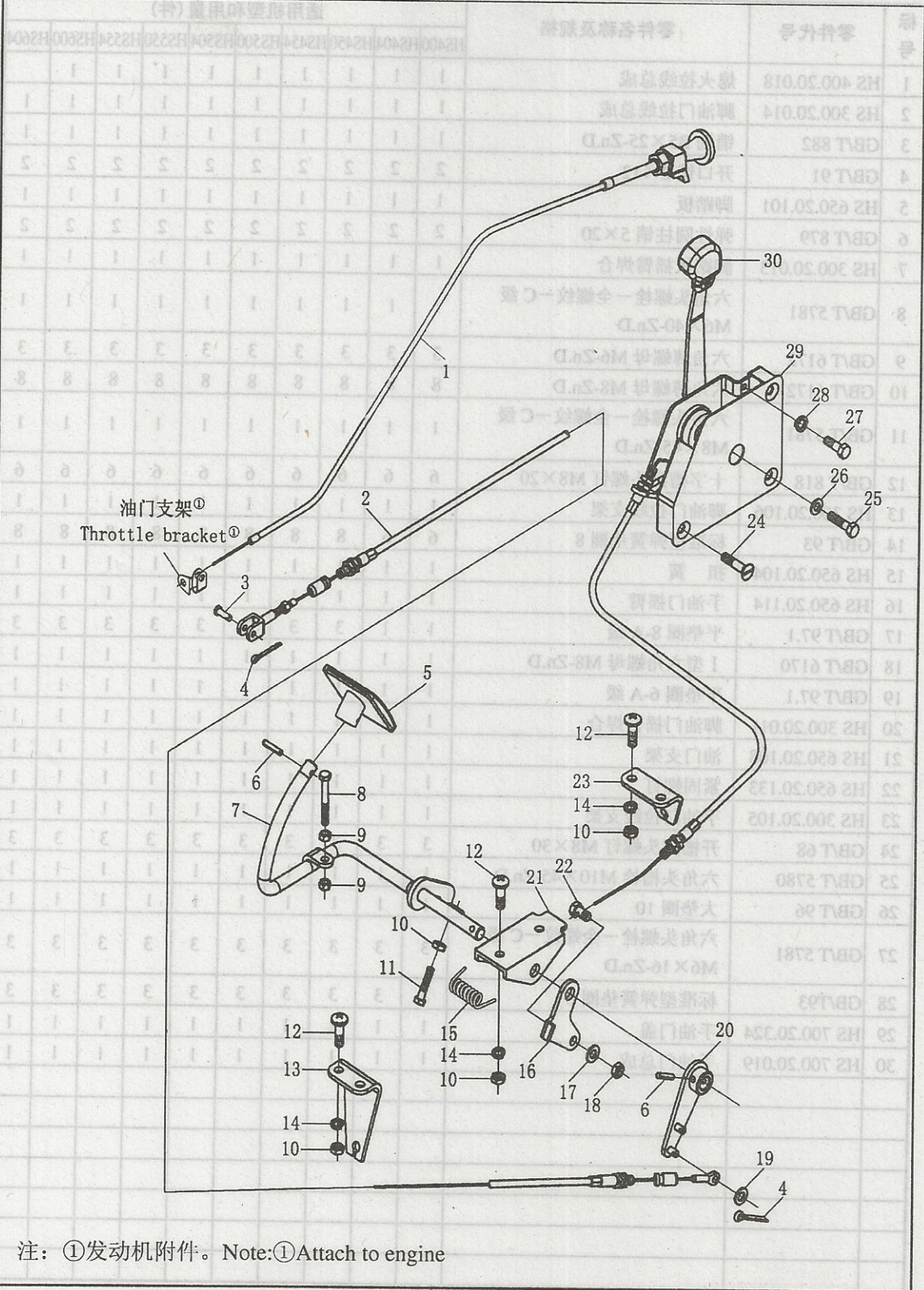




13X/13Q/13J 冷却系总成 13X/13Q/13J Cooling System Assembly

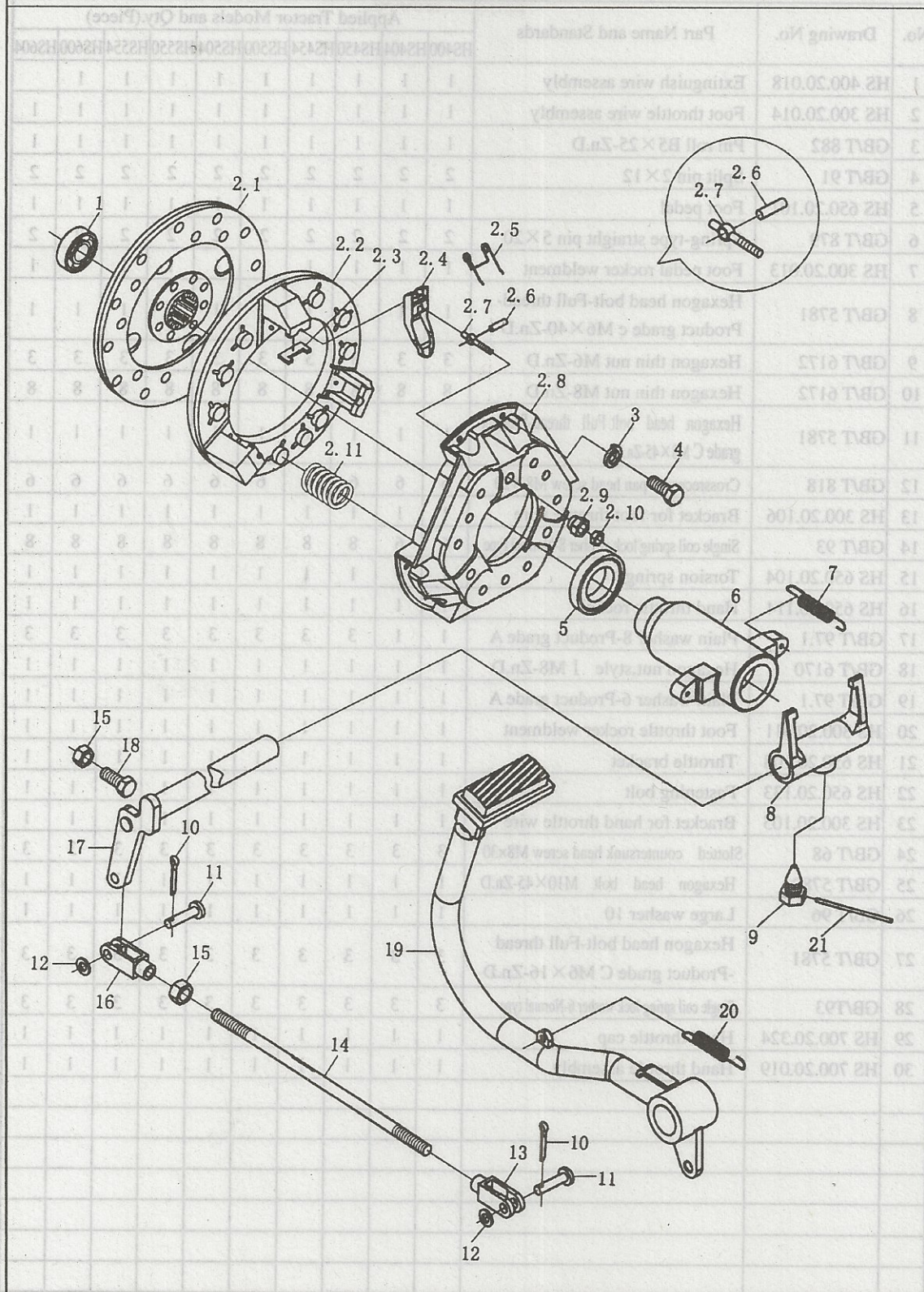


## 20 发动机操纵机构总成 20 Control Mechanism Assembly of the Engine

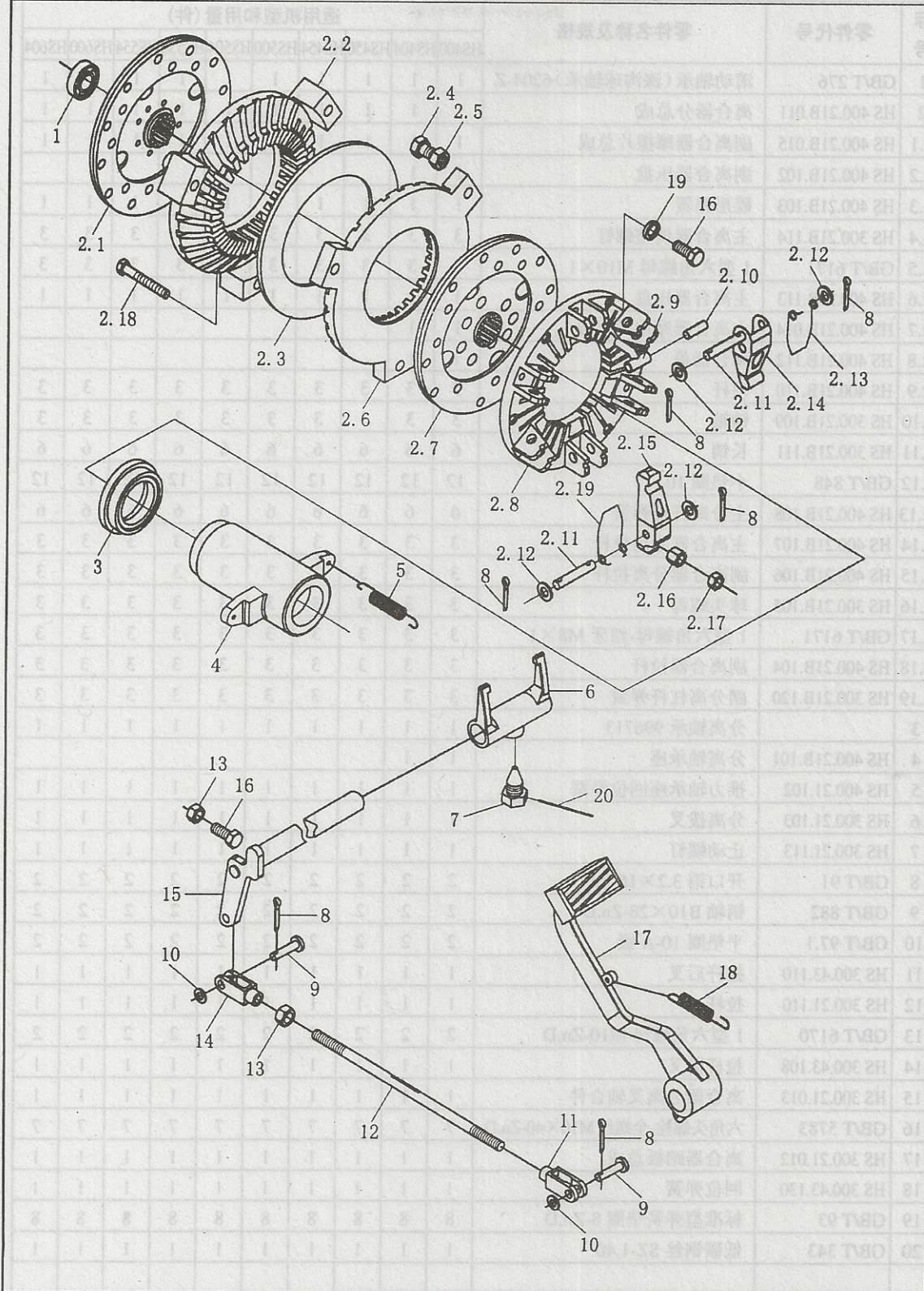


注：①发动机附件。 Note:①Attach to engine

21 单作用离合器总成 (HS400) 21 Single-Stage Clutch Assembly (HS400)

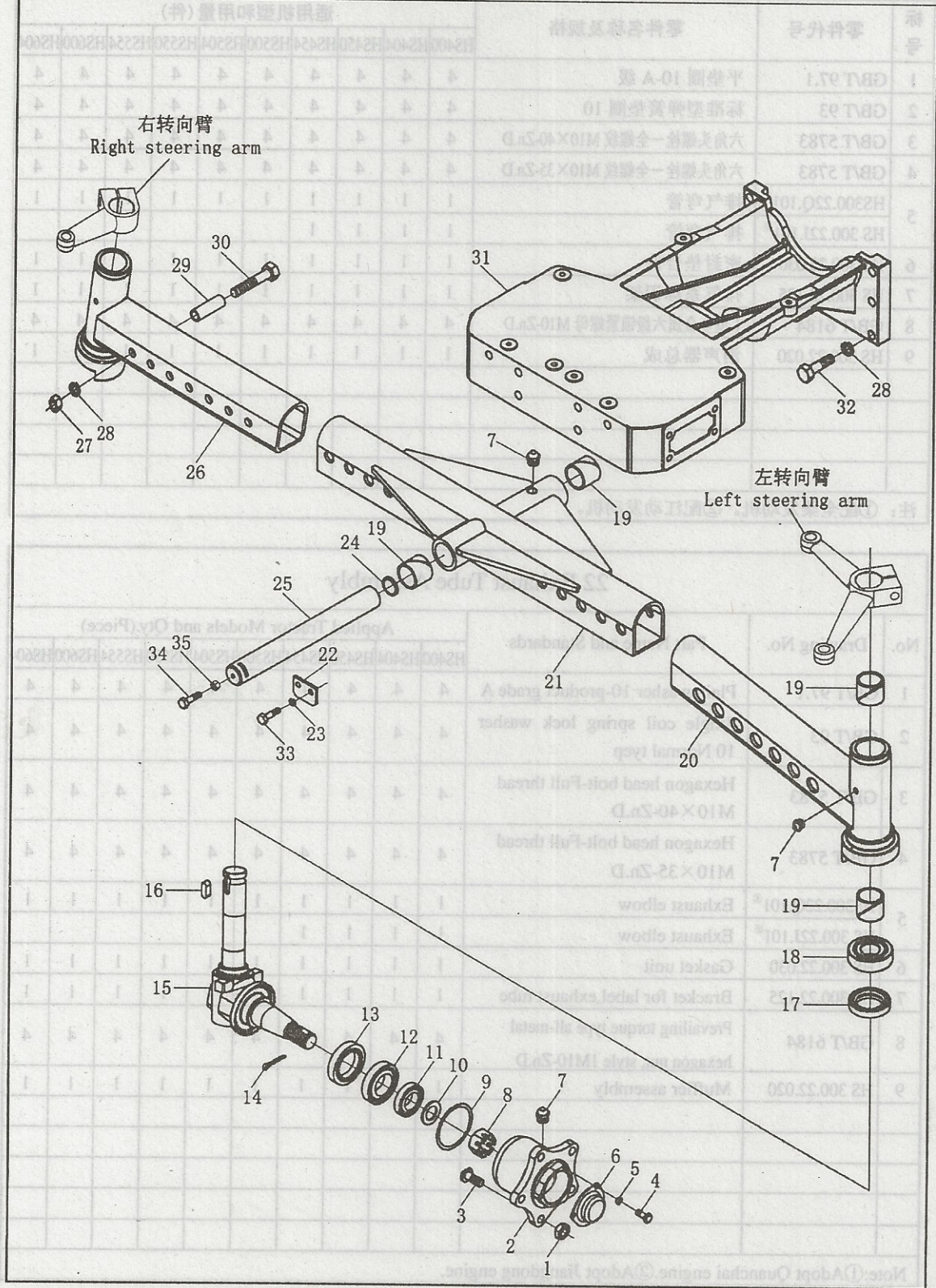


21B 双作用离合器总成 21B Dual-Stage Clutch Assembly

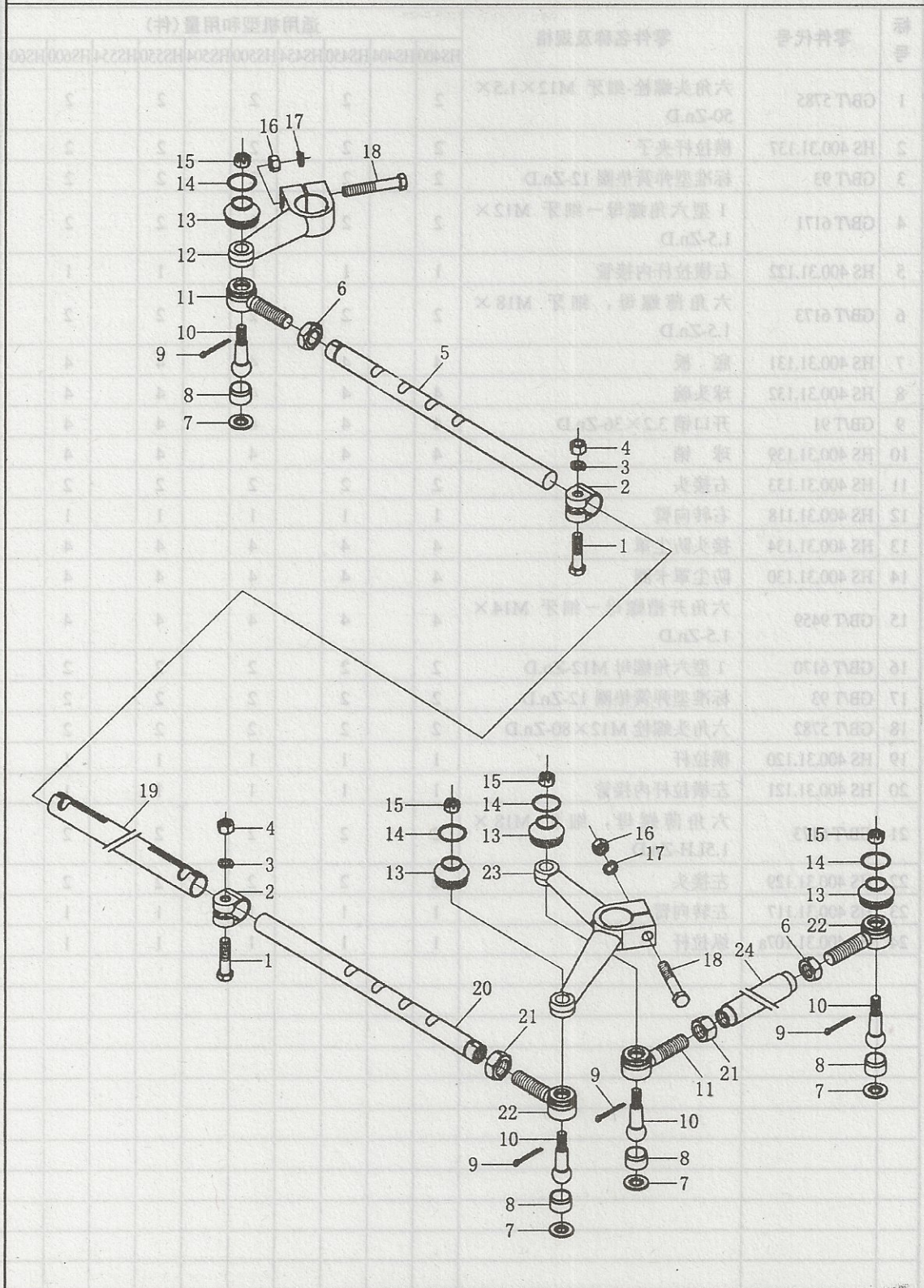




31 前轴总成-1 31 Front Axle Assembly-1

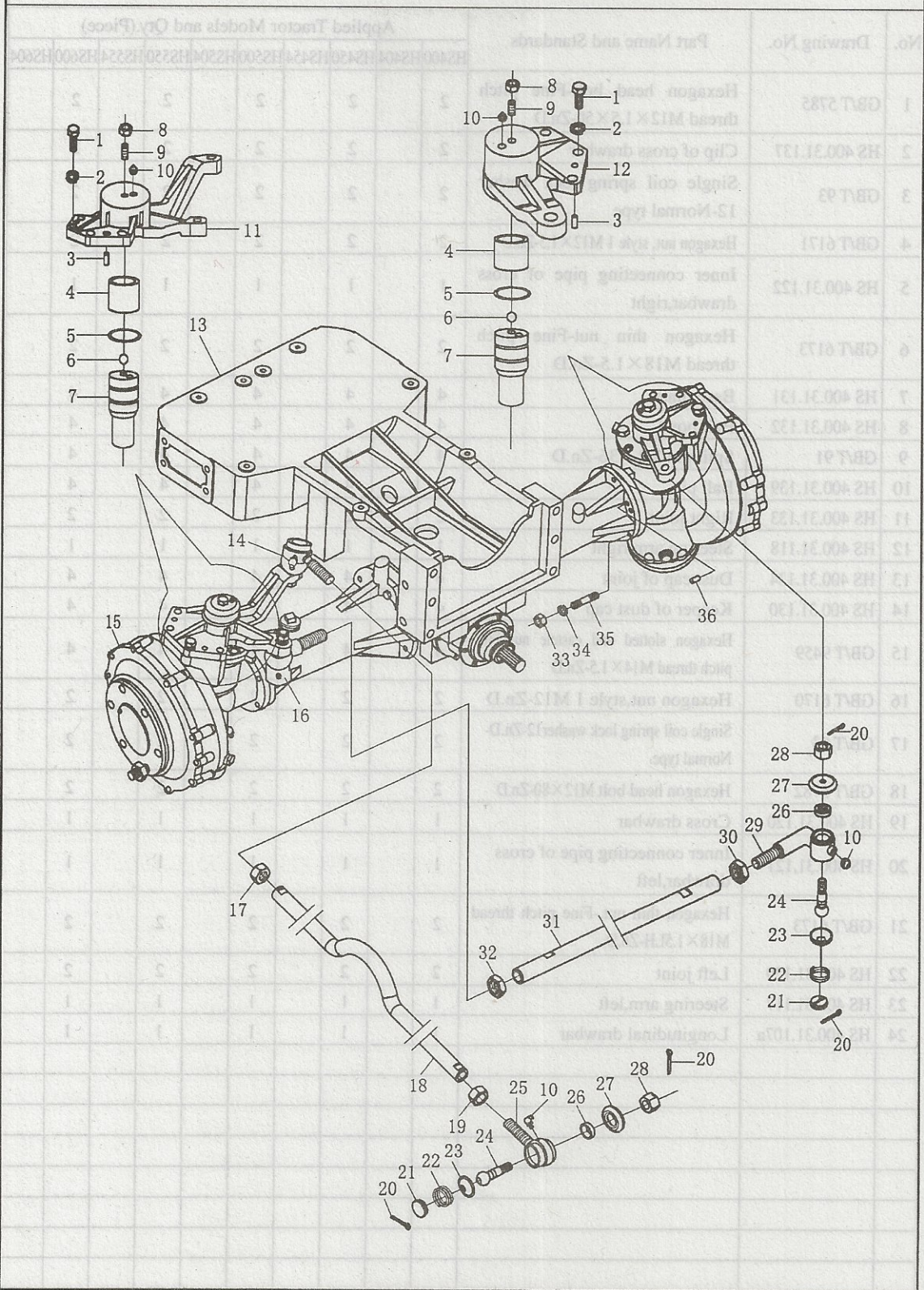


### 31 前轴总成-2 31 Front Axle Assembly-2

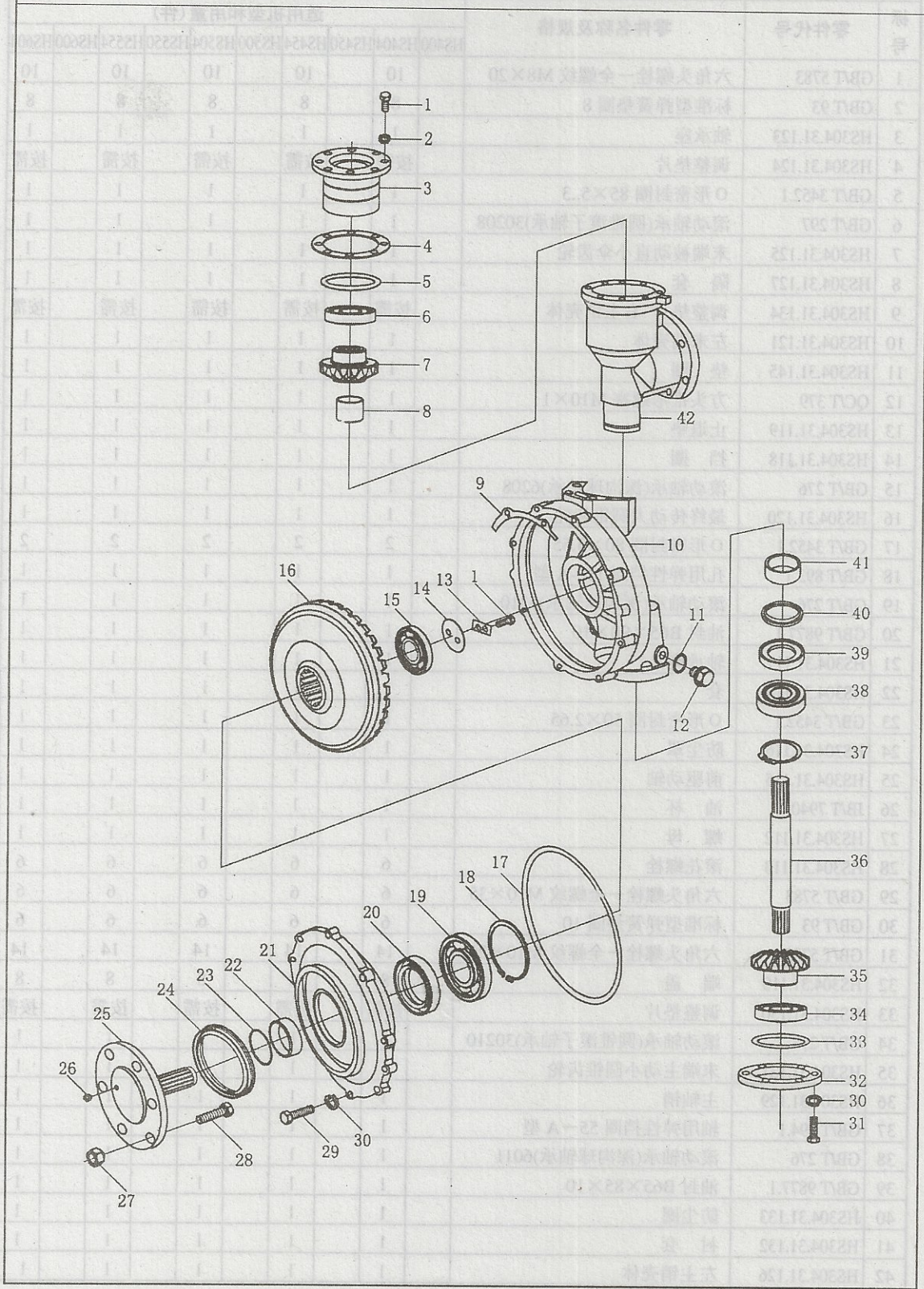




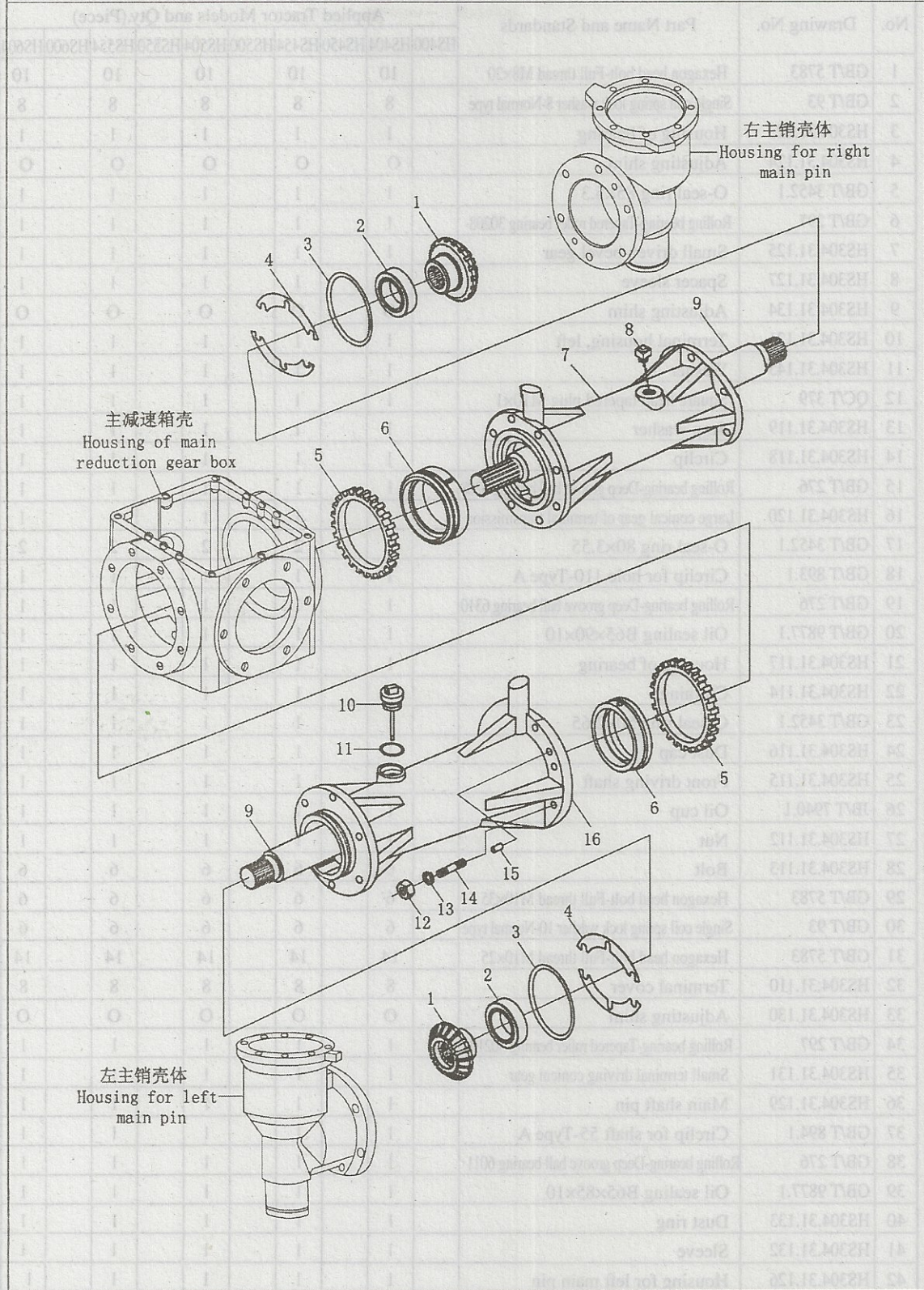
# 31 前驱动桥总成-1 31 Front Driving Axle Assembly-1



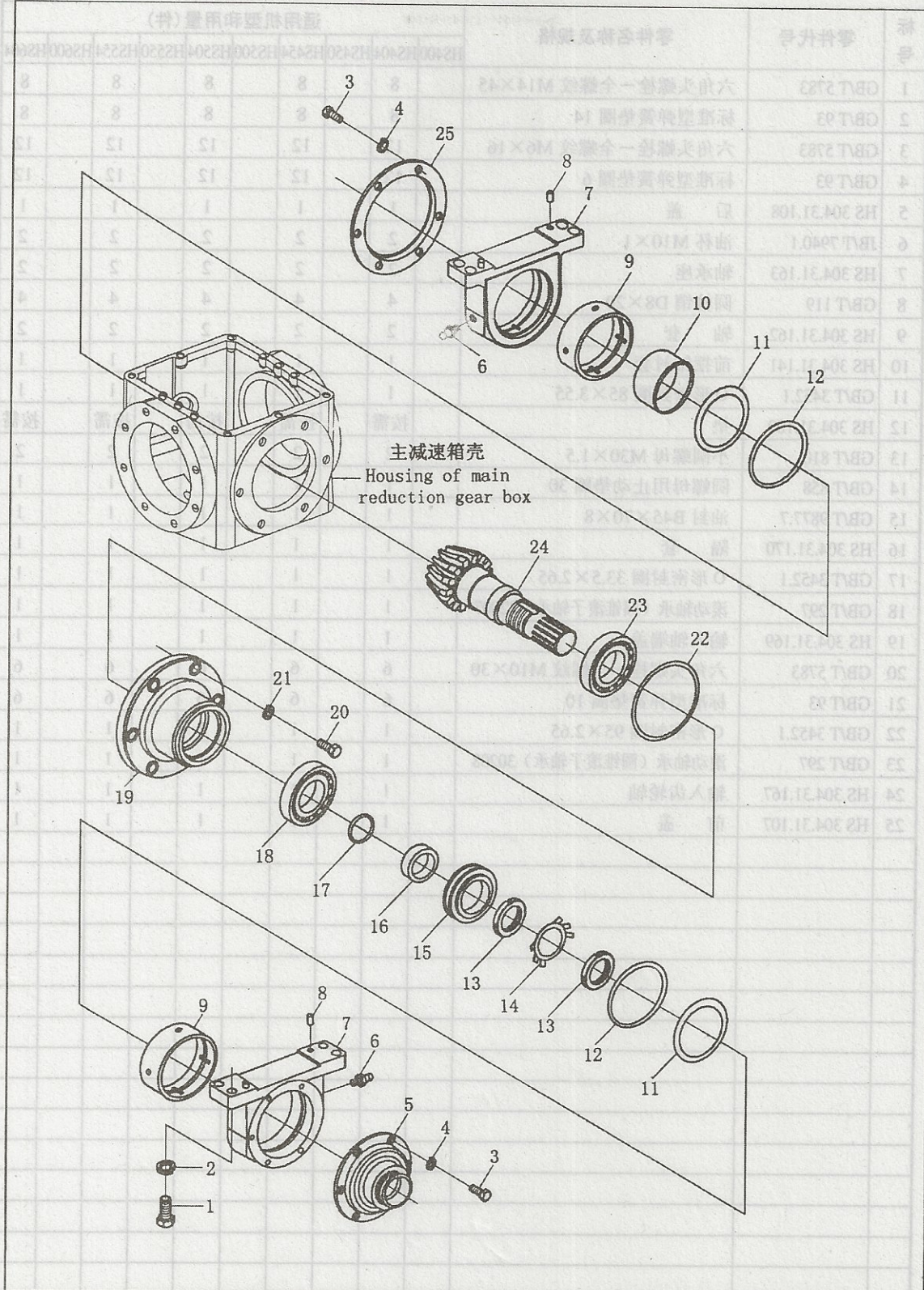
# 31 前驱动桥总成-2 31 Front Driving Axle Assembly-2



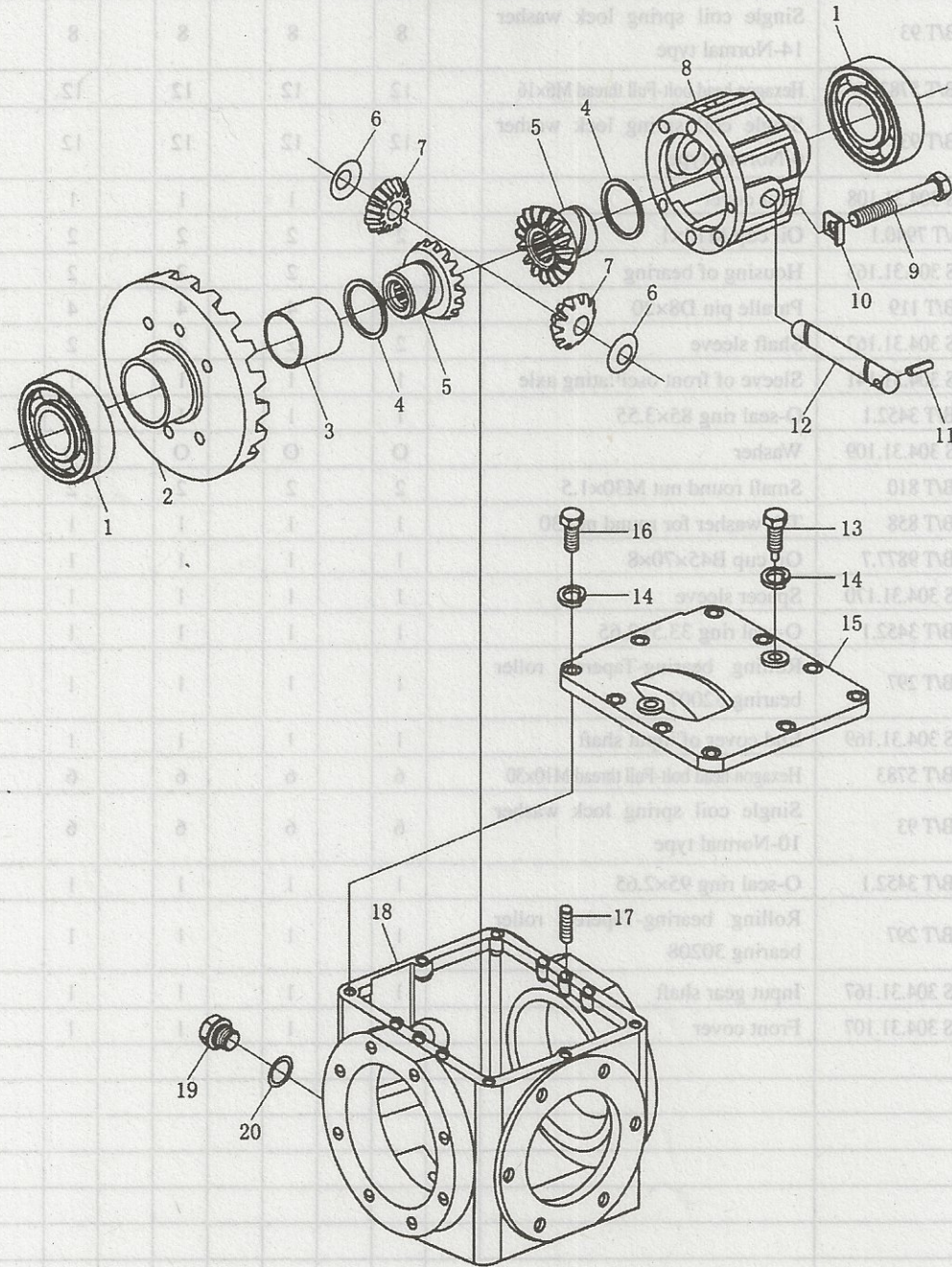
### 31 前驱动桥总成-3 31 Front Driving Axle Assembly-3



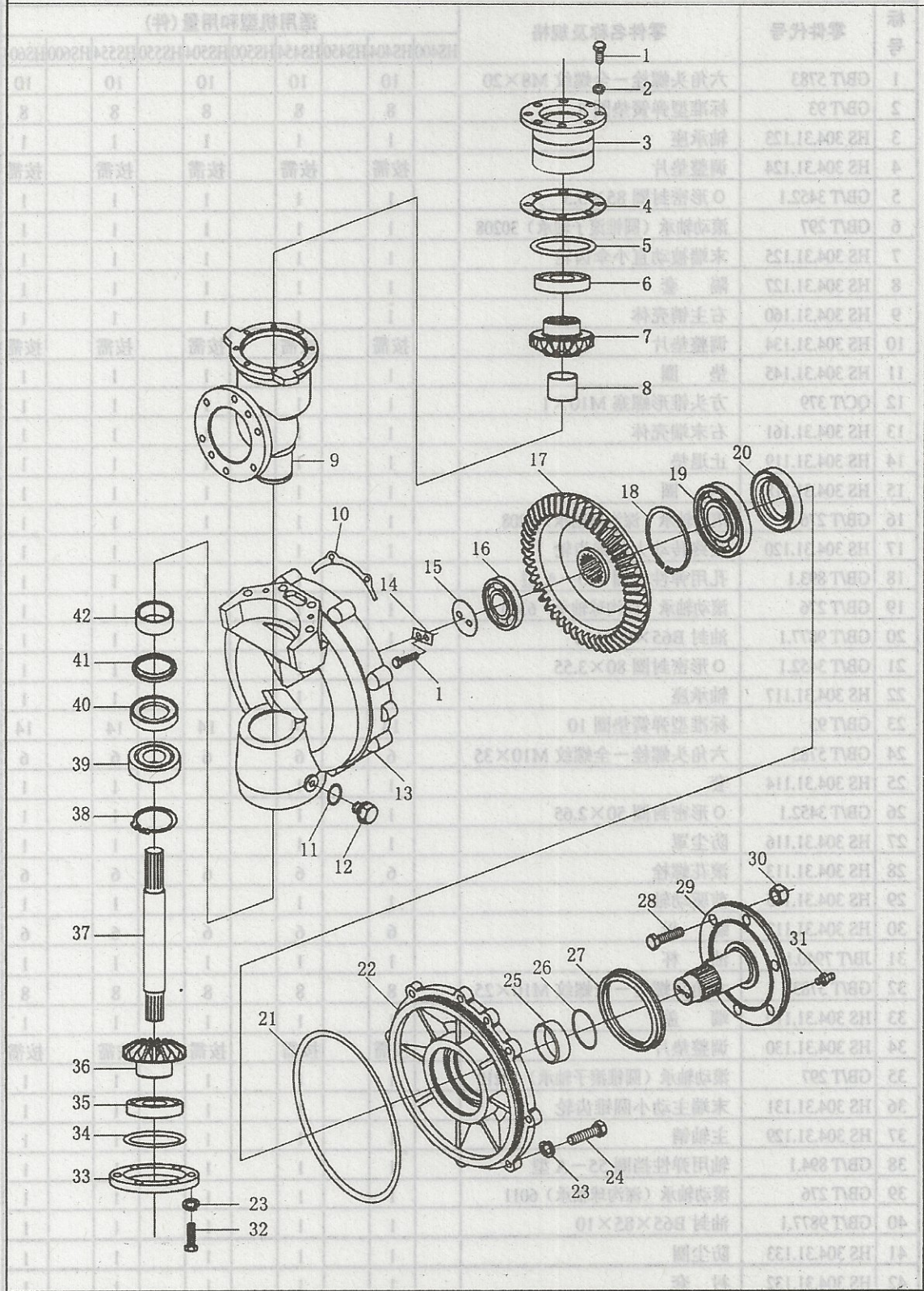
# 31 前驱动桥总成-4 31 Front Driving Axle Assembly -4



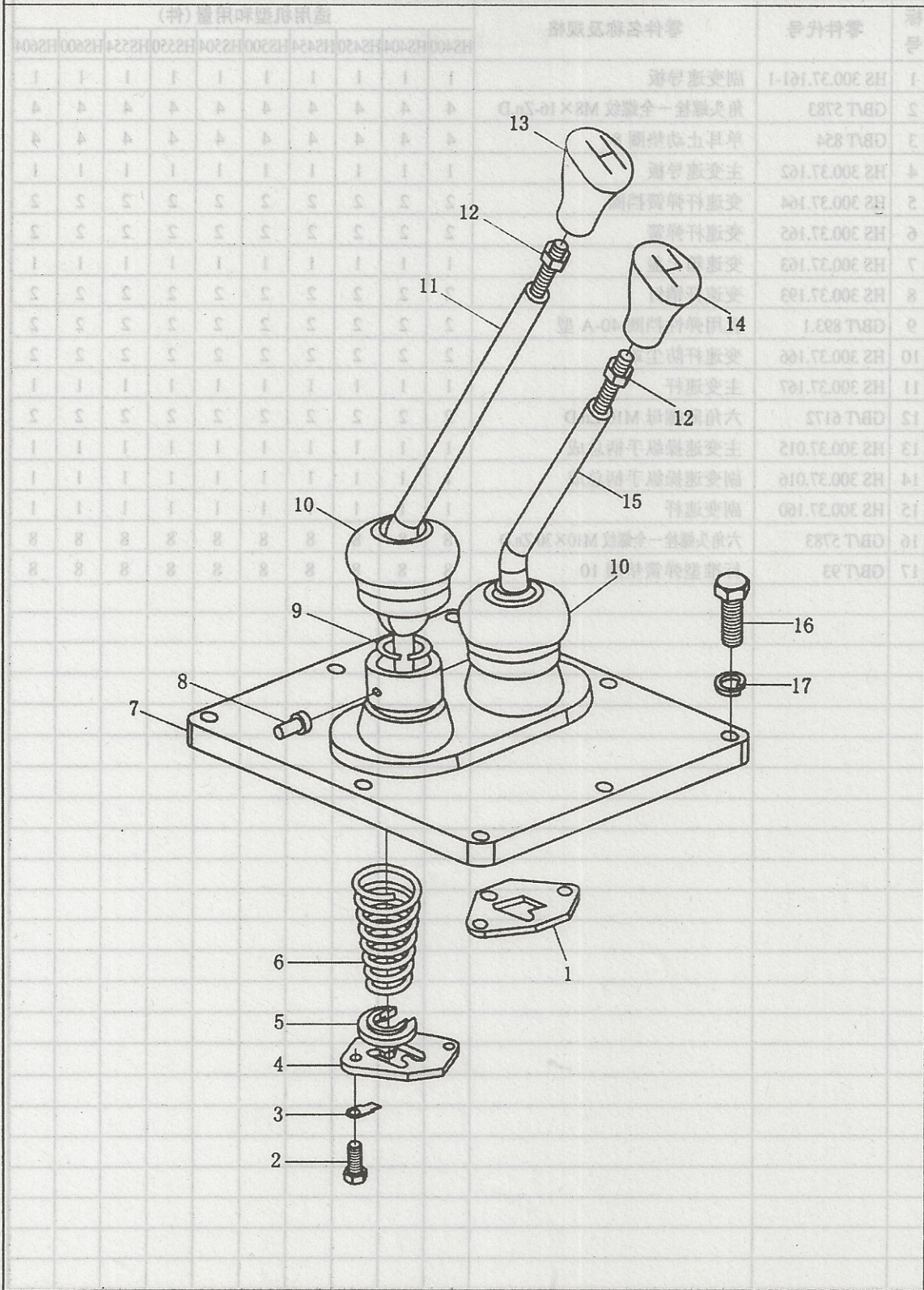
# 31 前驱动桥总成-5 31 Front Driving Axle Assembly -5



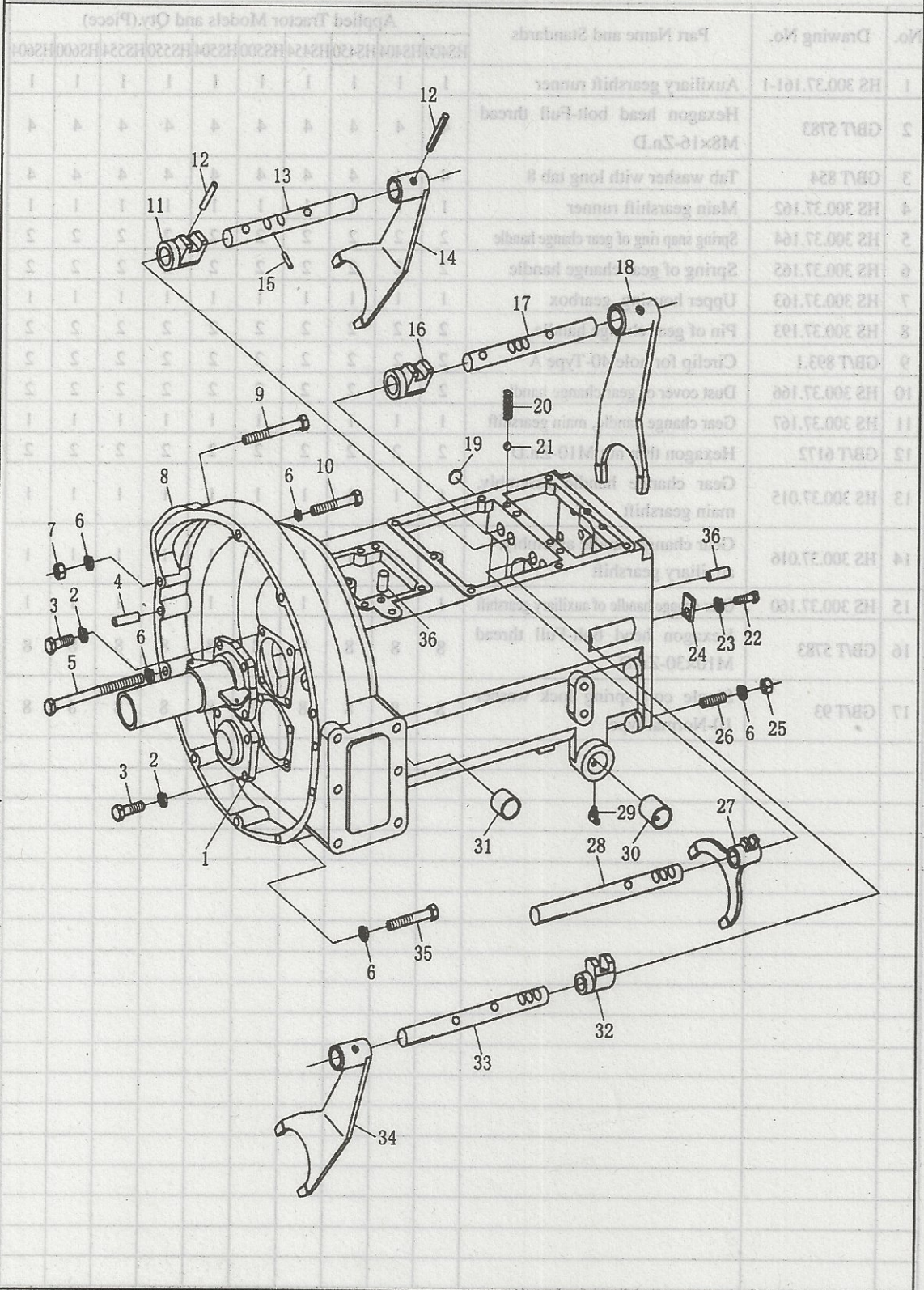
# 31 前驱动桥总成-6 31 Front Driving Axle Assembly -6



### 37 变速箱总成-1 37 Gearbox Assembly-1

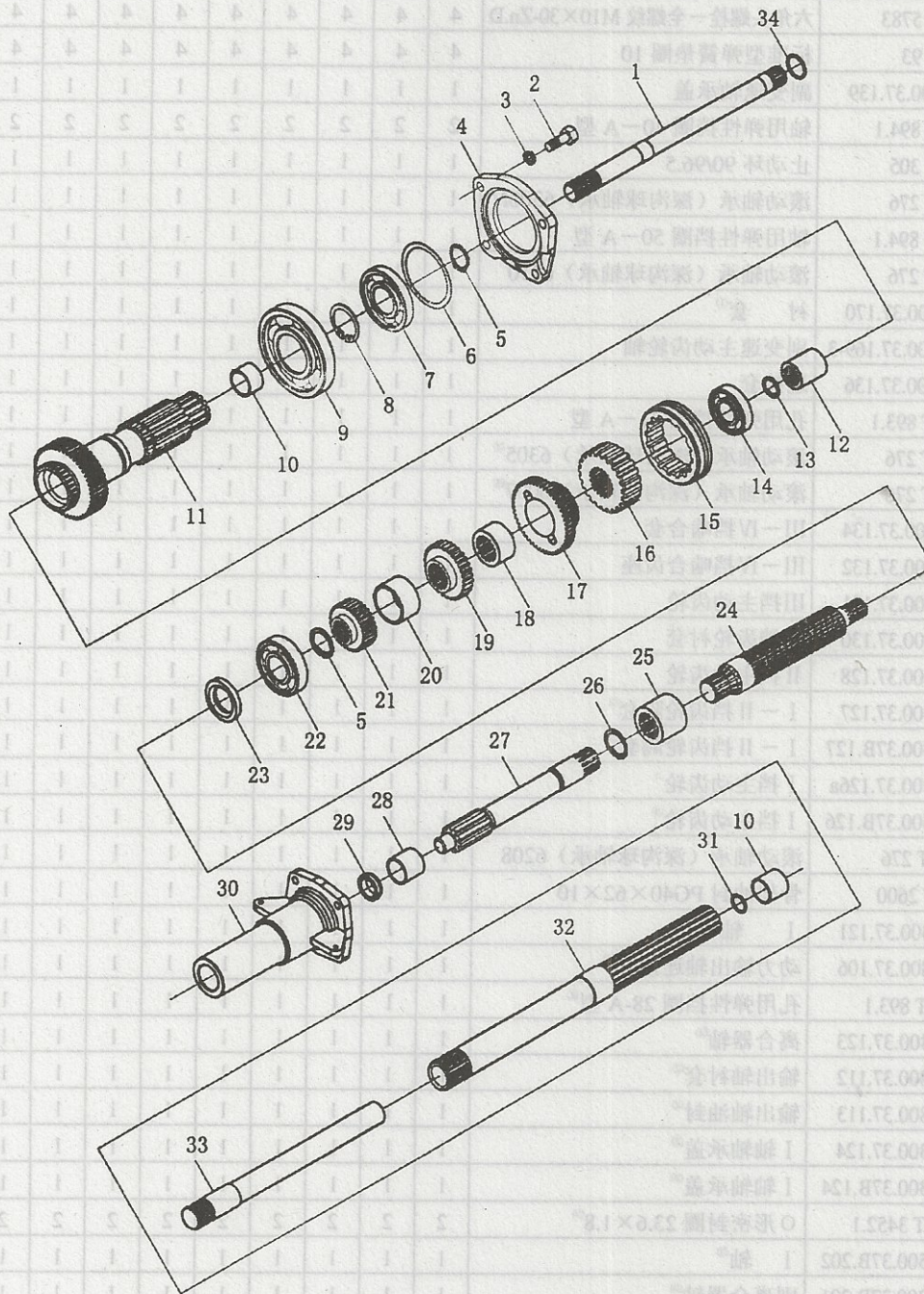


### 37 变速箱总成-2 37 Gearbox Assembly-2

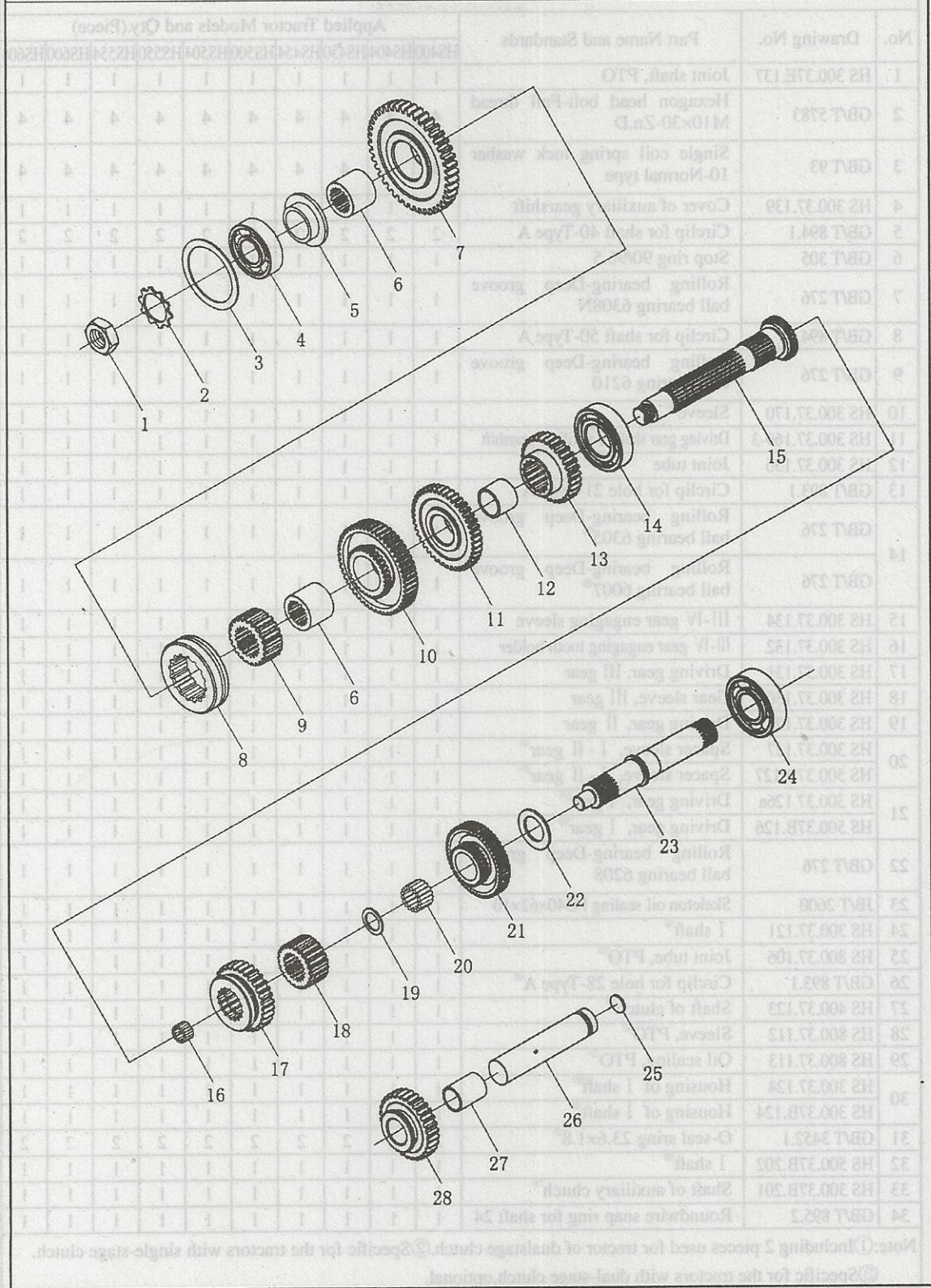




### 37 变速箱总成-3 37 Gearbox Assembly -3



### 37 变速箱总成-4 37 Gearbox Assembly -4



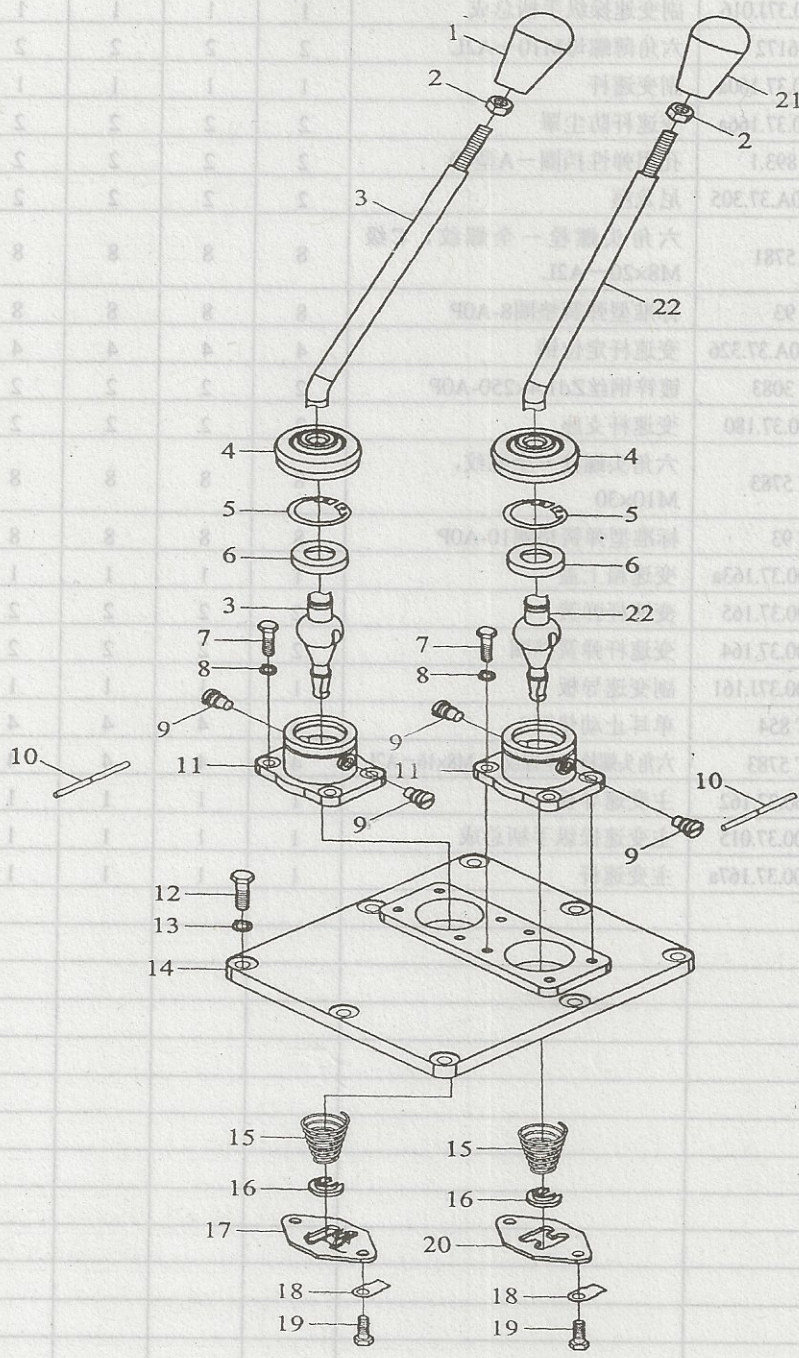
### 37 变速箱总成-5<sup>①</sup> 37 Gearbox Assembly -5<sup>①</sup>

序号	零件代号	零件名称及规格	1	2	3	4	5	6	7	8	9	10	11	12	13
1	HS 300.37C.302	行星架衬套	1	1	1	1	1	1	1	1	1	1	1	1	1
2	HS 300.37.102A	挡圈	1	1	1	1	1	1	1	1	1	1	1	1	1
3	HS 300.37C.306	双联齿轴衬套	1	1	1	1	1	1	1	1	1	1	1	1	1
4	HS 300.37C.302	行星架双联齿轴	1	1	1	1	1	1	1	1	1	1	1	1	1
5	HS 300.37C.304	轴衬套	3	3	3	3	3	3	3	3	3	3	3	3	3
6	GBT 894.1	轴衬套-A	3	3	3	3	3	3	3	3	3	3	3	3	3
7	HS 300.37C.308	行星架-1	1	1	1	1	1	1	1	1	1	1	1	1	1
8	HS 300.37C.307	行星架-2	1	1	1	1	1	1	1	1	1	1	1	1	1
9	HS 300.37C.309	行星架-3	1	1	1	1	1	1	1	1	1	1	1	1	1
10	HS 300.37C.302	行星架双联齿轴	1	1	1	1	1	1	1	1	1	1	1	1	1
11	HS 300.37C.301	挡圈	1	1	1	1	1	1	1	1	1	1	1	1	1
12	GBT 5283	六角头螺栓-六角	6	6	6	6	6	6	6	6	6	6	6	6	6
13	GBT 93	标准型单圈弹簧锁紧垫圈	6	6	6	6	6	6	6	6	6	6	6	6	6

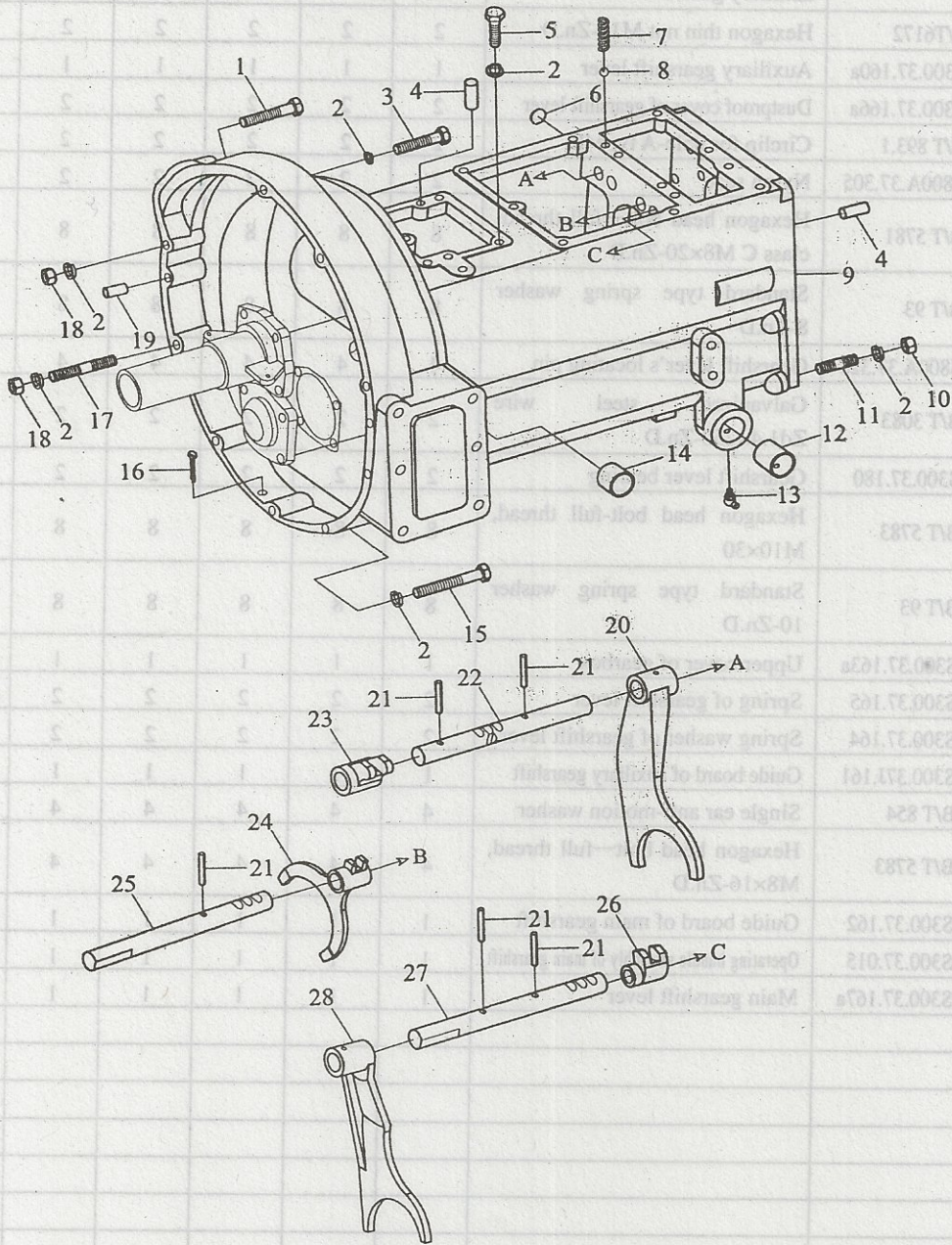
注：①爬行挡专用件，选装。  
 Note:①Only for creep gear, optional.

37 变速箱总成-1 (8+8 梭式换档机型)  
 37 Gearbox Assembly-1 (8+8 Shuttle-Type Shift Model)

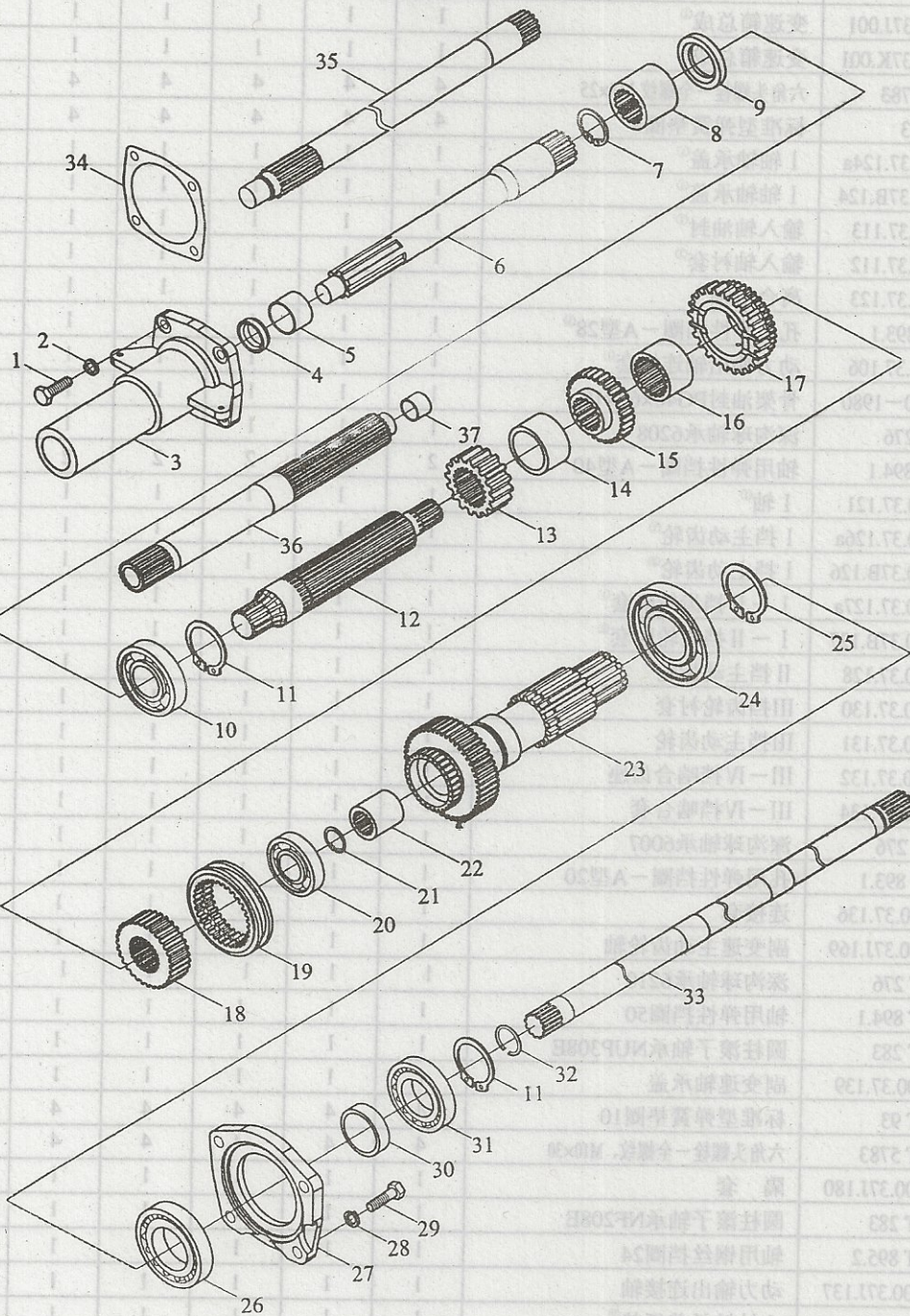
(件)量用呼要册图					零件名称及规格		零件序号	序号
H2500	H2504	H2320	H2324	H2500	H2500	H2500		
1	1	1	1	1	1	H2400.37.1001	变速箱总成	
1	1	1	1	1	1	H2400.37K.001	变速箱总成	
1	1	1	1	1	1	H2300.37.012	副变速箱总成	
2	2	2	2	2	2	GBT.6172	六角螺帽	
1	1	1	1	1	1	H2300.37.102	变速箱总成	
2	2	2	2	2	2	GBT.803.1	变速箱总成	
2	2	2	2	2	2	H2800A.37.302	变速箱总成	
8	8	8	8	8	8	GBT.2781	六角螺帽	
8	8	8	8	8	8	GBT.93	六角螺帽	
4	4	4	4	4	4	H2800A.37.320	变速箱总成	
2	2	2	2	2	2	GBT.3083	变速箱总成	
2	2	2	2	2	2	H2300.37.180	变速箱总成	
8	8	8	8	8	8	GBT.2783	六角螺帽	
8	8	8	8	8	8	GBT.93	六角螺帽	
1	1	1	1	1	1	H2300.37.102	变速箱总成	
2	2	2	2	2	2	H2300.37.102	变速箱总成	
2	2	2	2	2	2	H2300.37.104	变速箱总成	
1	1	1	1	1	1	H2300.37.101	变速箱总成	
4	4	4	4	4	4	GBT.254	六角螺帽	
4	4	4	4	4	4	GBT.2783	六角螺帽	
1	1	1	1	1	1	H2300.37.012	副变速箱总成	
1	1	1	1	1	1	H2300.37.102	变速箱总成	



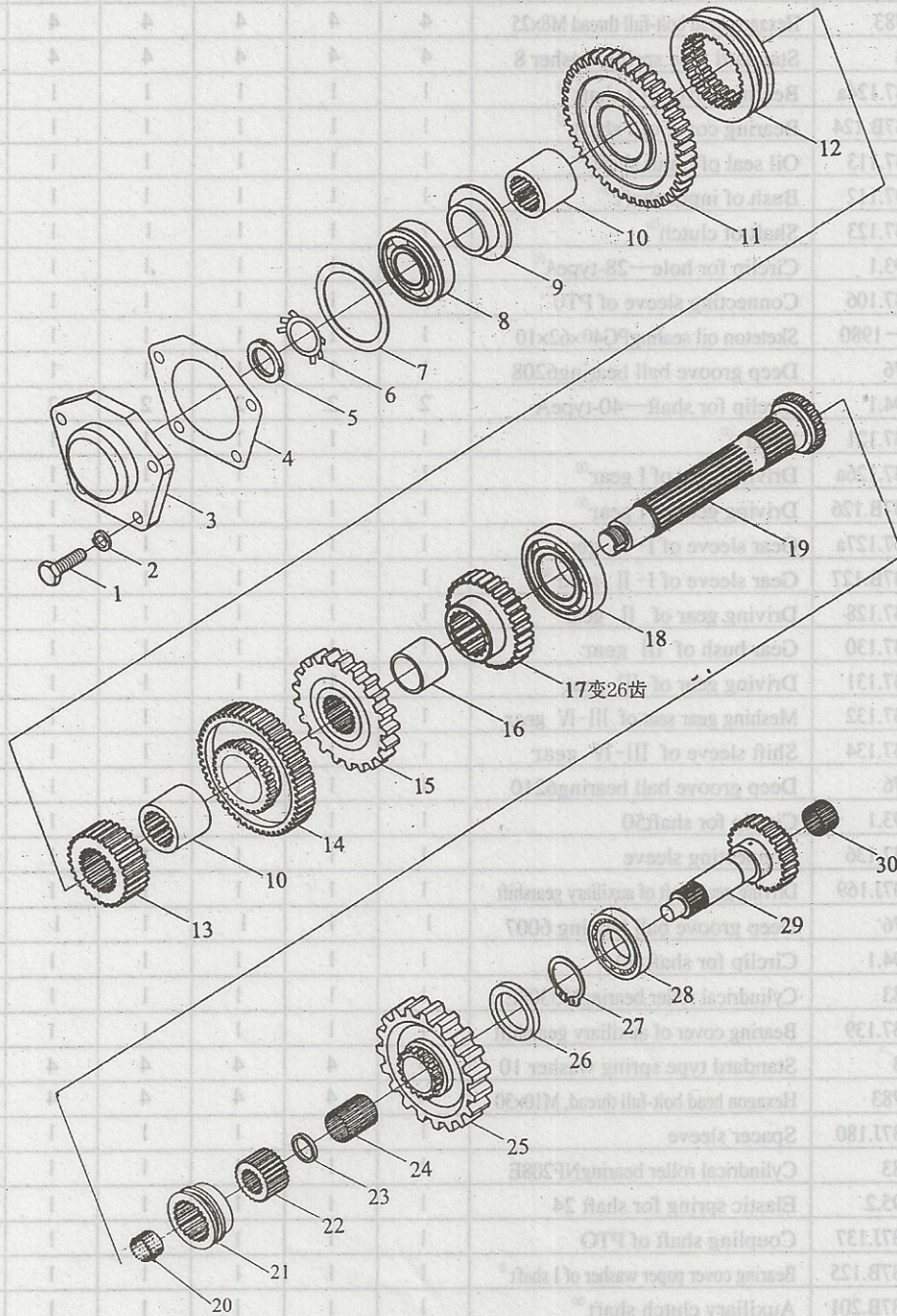
37 变速箱总成-2 (8+8 梭式换档机型)  
 37 Gearbox Assembly-2 (8+8 Shuttle-Type Shift Model)



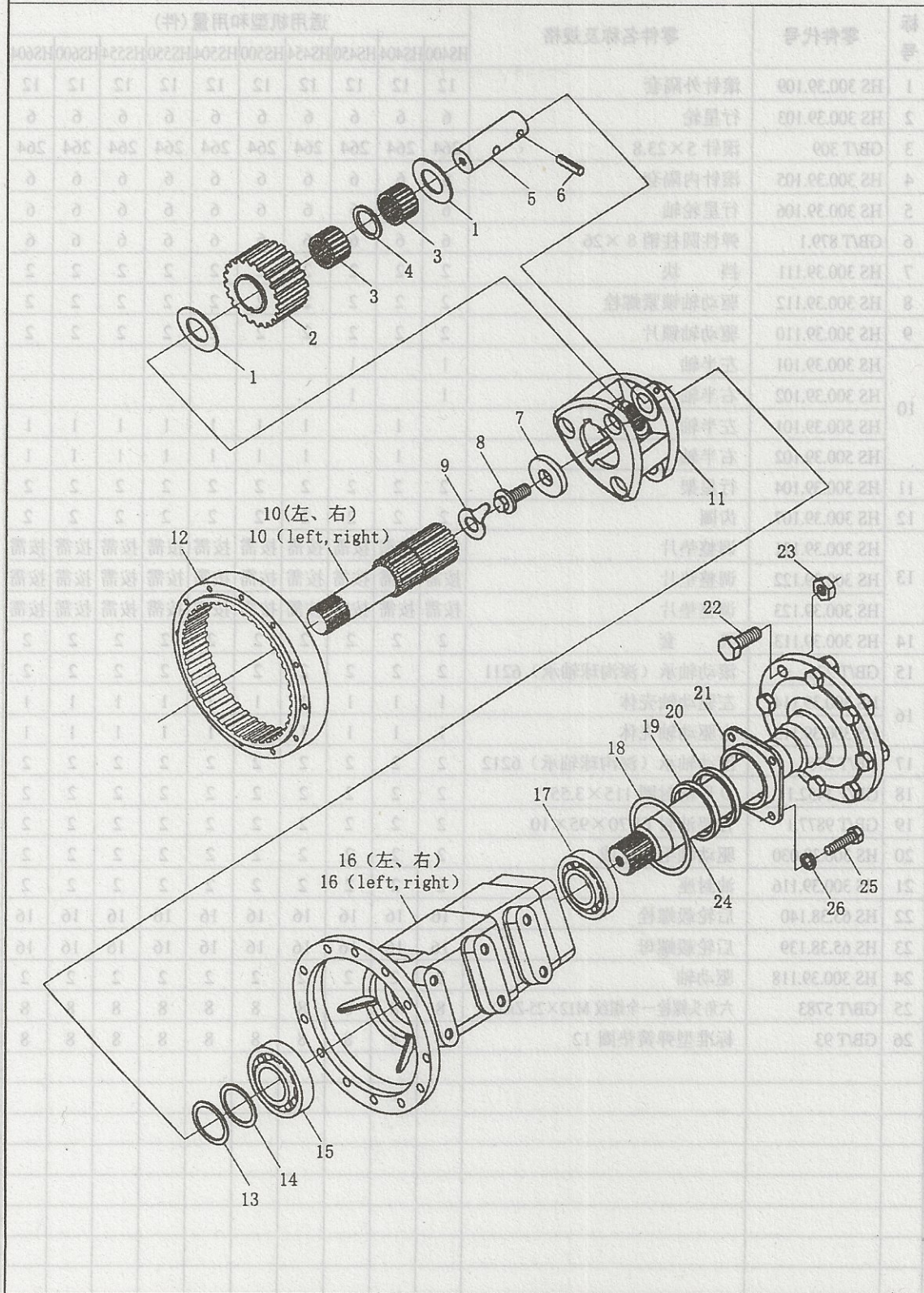
37 变速箱总成-3 (8+8 梭式换档机型)  
 37 Gearbox Assembly-3 (8+8 Shuttle-Type Shift Model)



37 变速箱总成-4 (8+8 梭式换档机型)  
 37 Gearbox Assembly-4 (8+8 Shuttle-Type Shift Model)



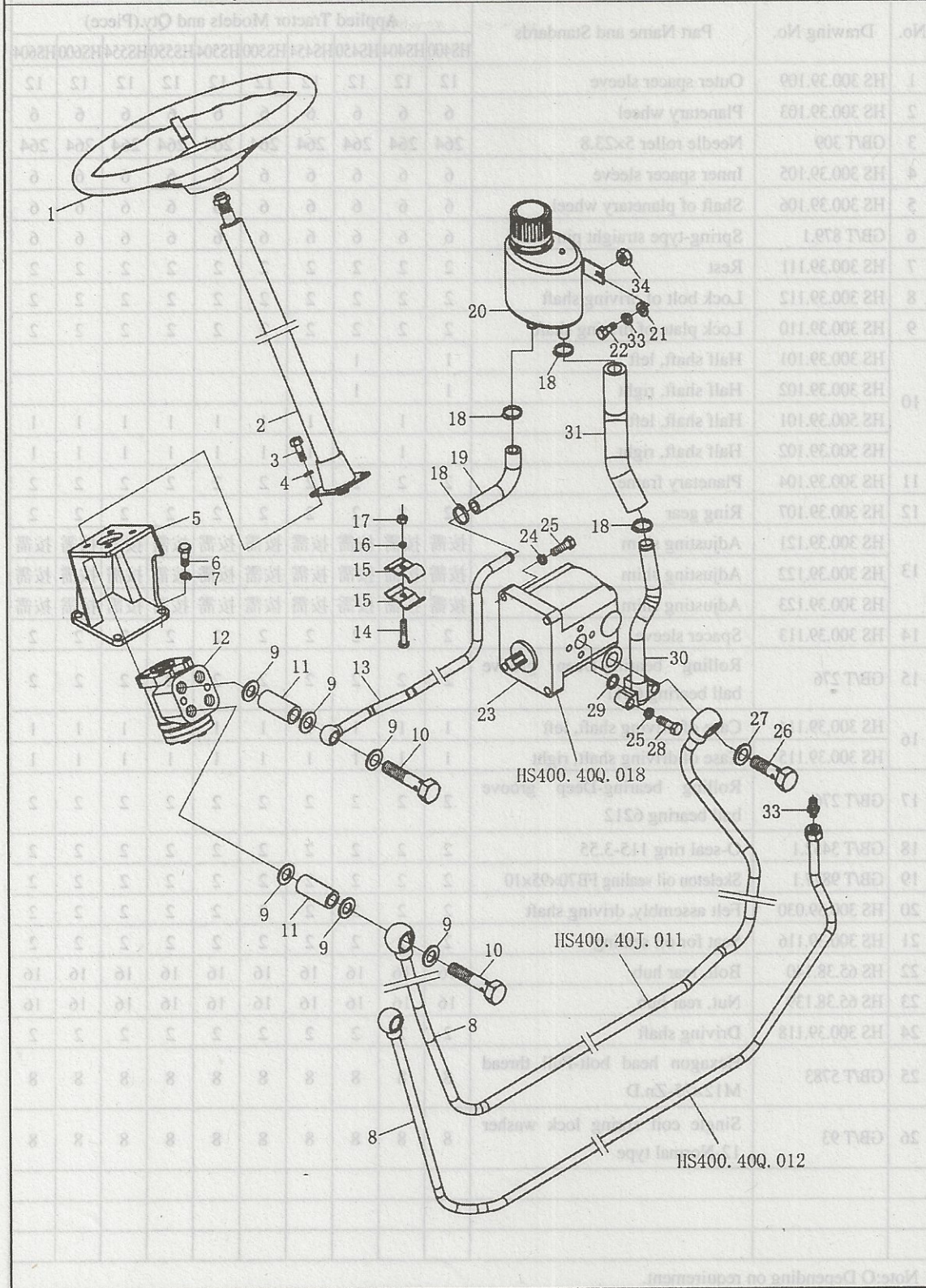
### 39 最终传动总成 39 Final Drive Assembly



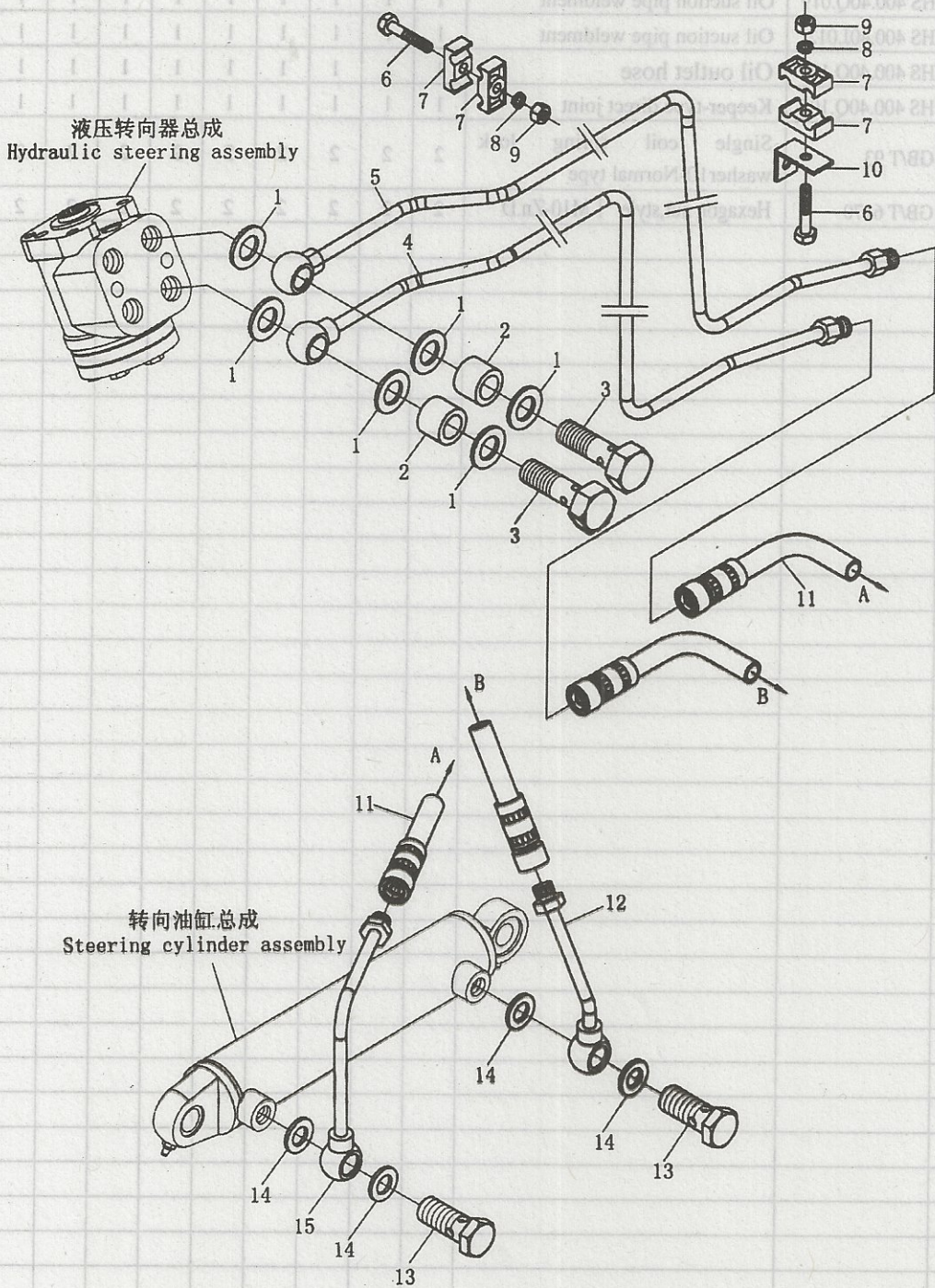


# 40Q/40X/40J 全液压转向总成-1

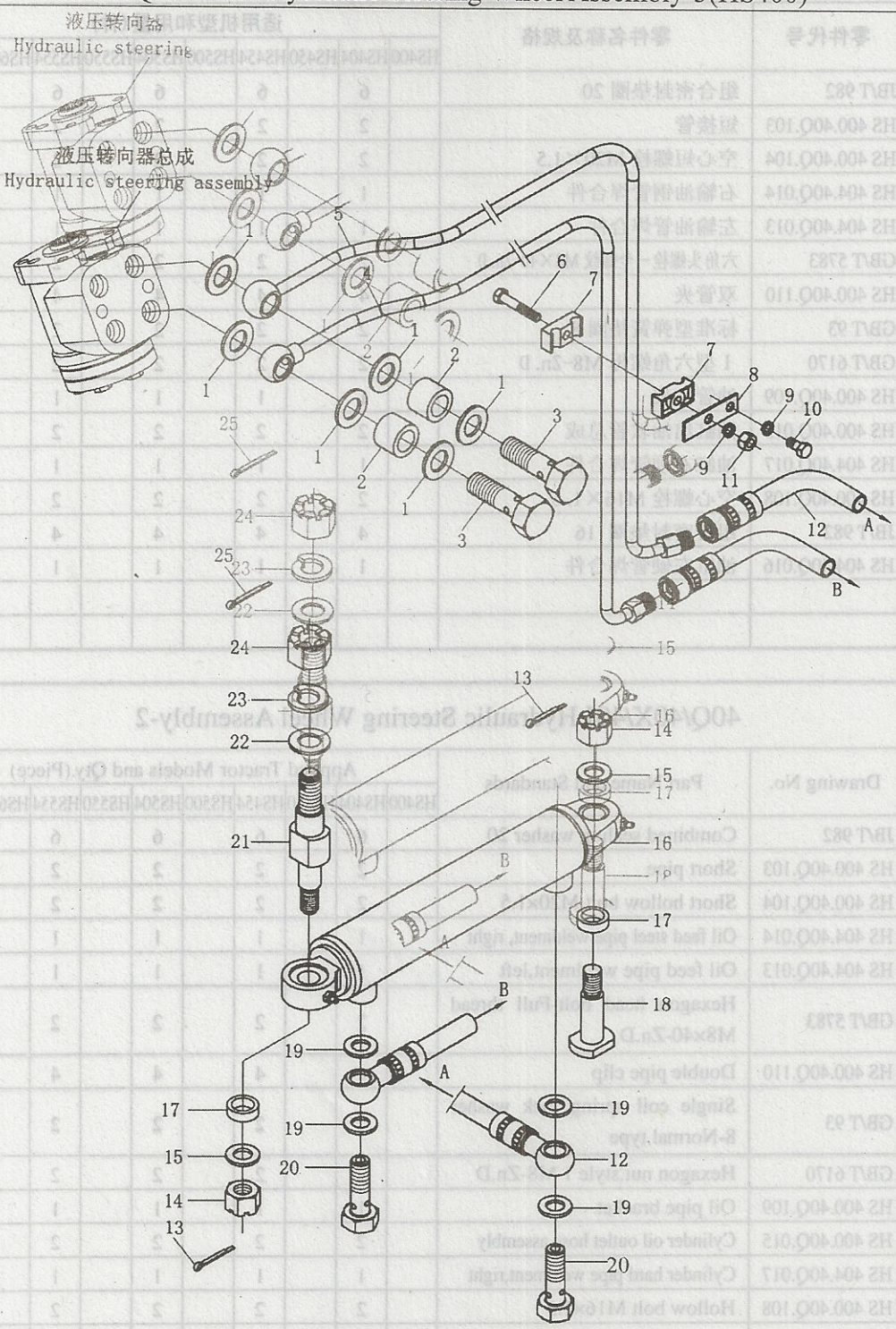
## 40Q/40X/40J Hydraulic Steering Wheel Assembly-1



40Q/40X/40J 全液压转向总成-2  
 40Q/40X/40J Hydraulic Steering Wheel Assembly-2

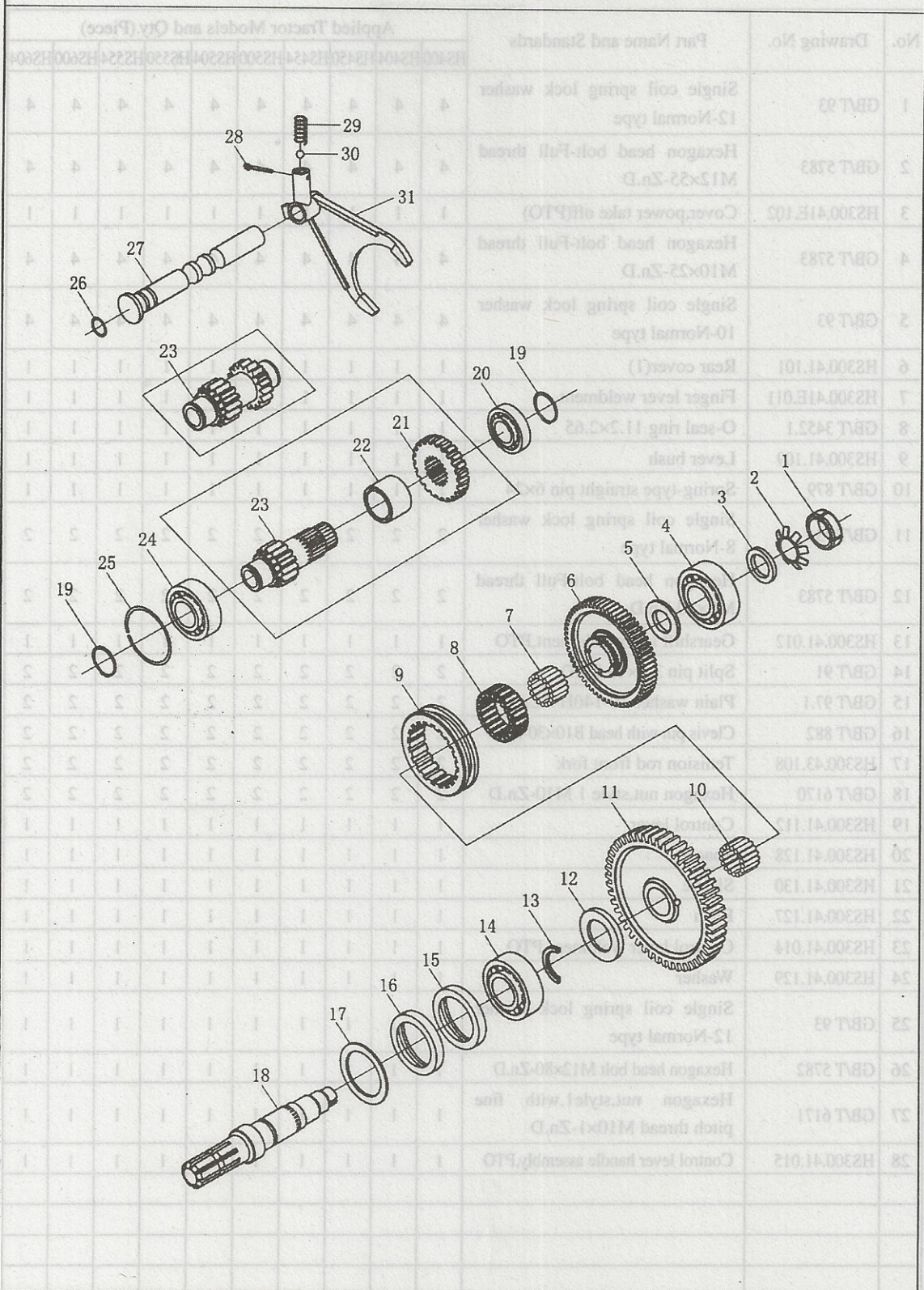


40Q/40X/40J 全液压转向总成-3(HS400)  
 40Q/40X/40J Hydraulic Steering Wheel Assembly-3(HS400)

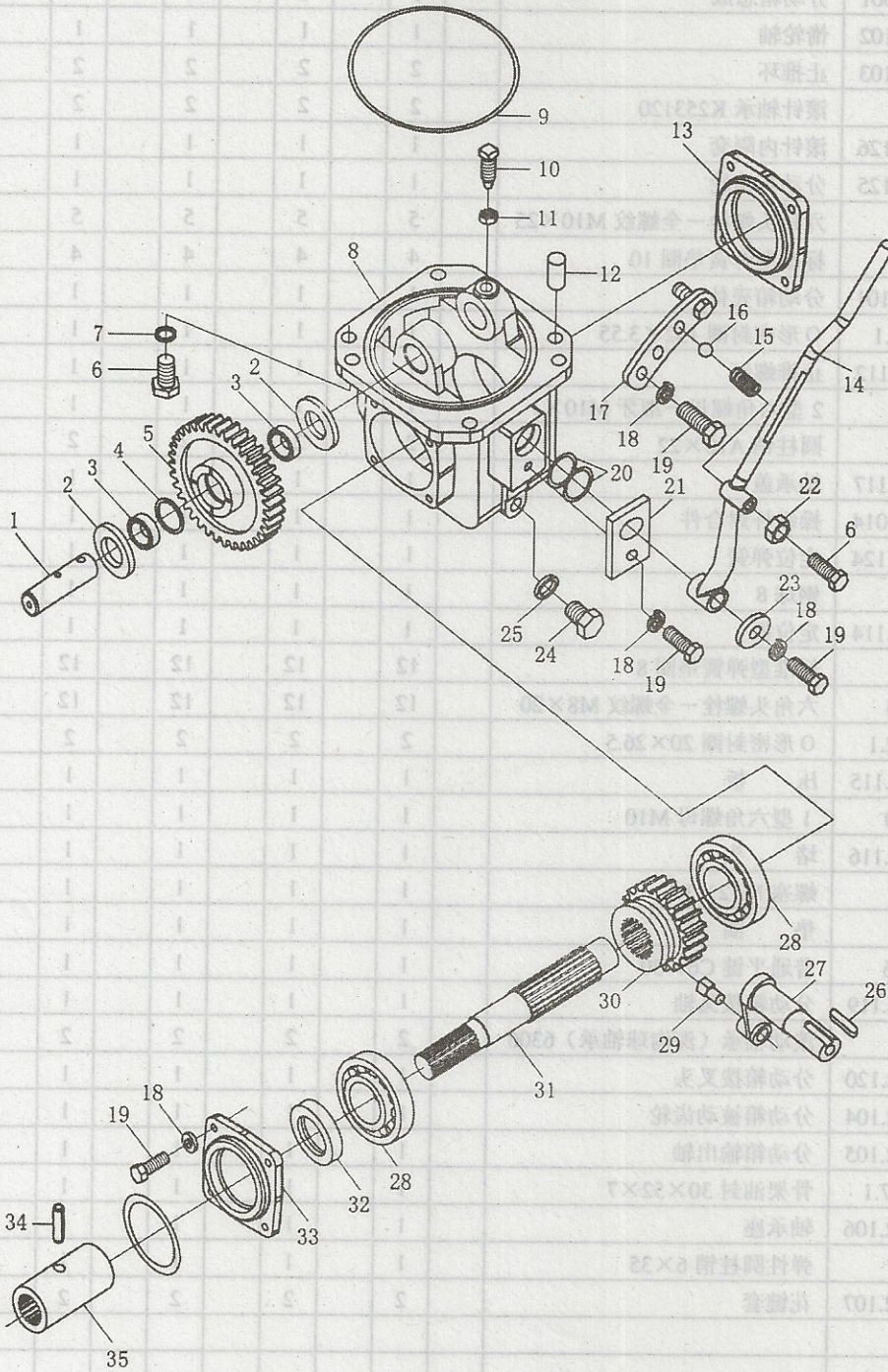




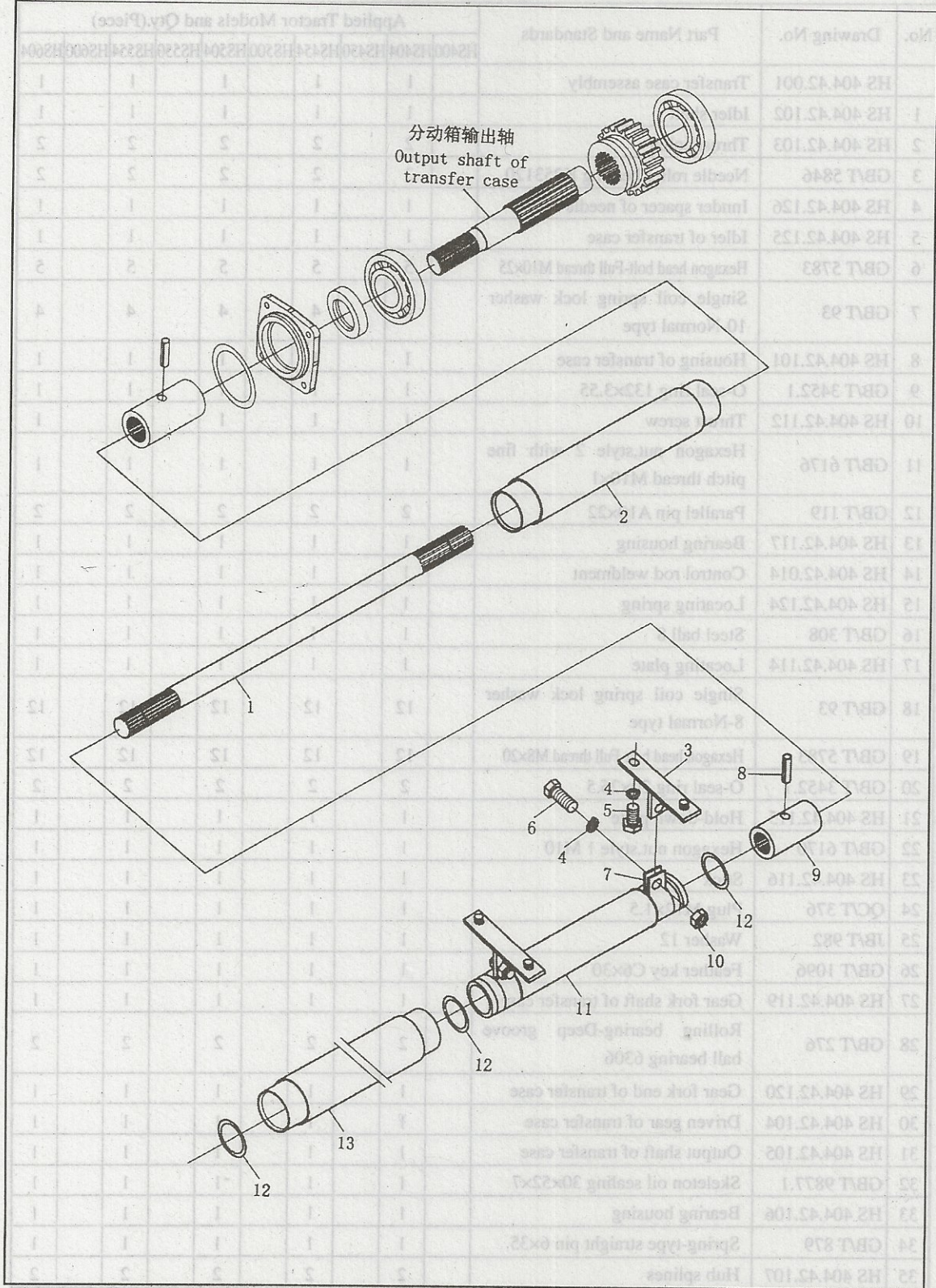
### 41 动力输出总成-2 41 PTO Shaft Assembly-2



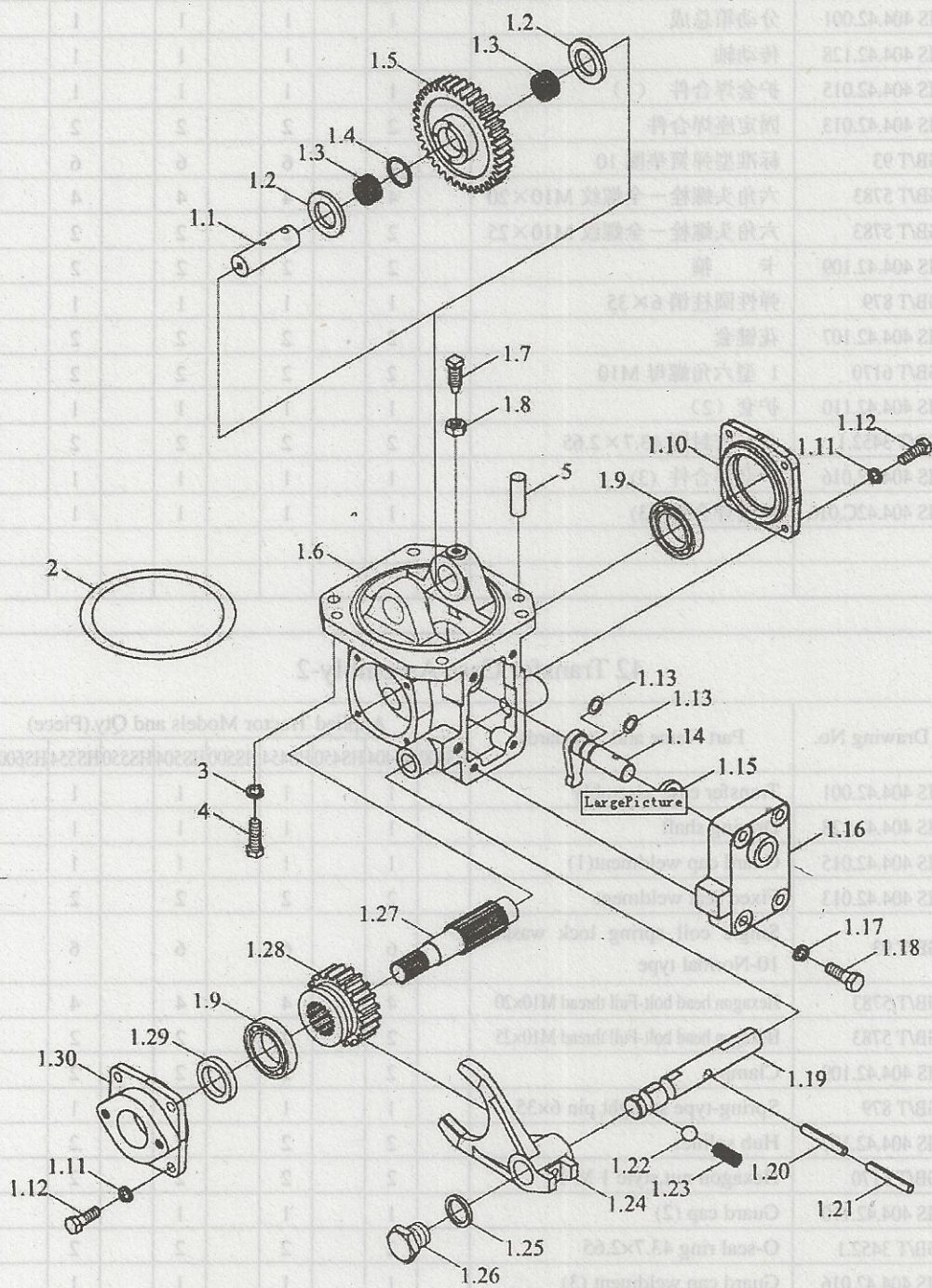
# 42 分动箱总成-1 42 Transfer Gase Assembly-1



## 42 分动箱总成-2 42 Transfer Case Assembly-2



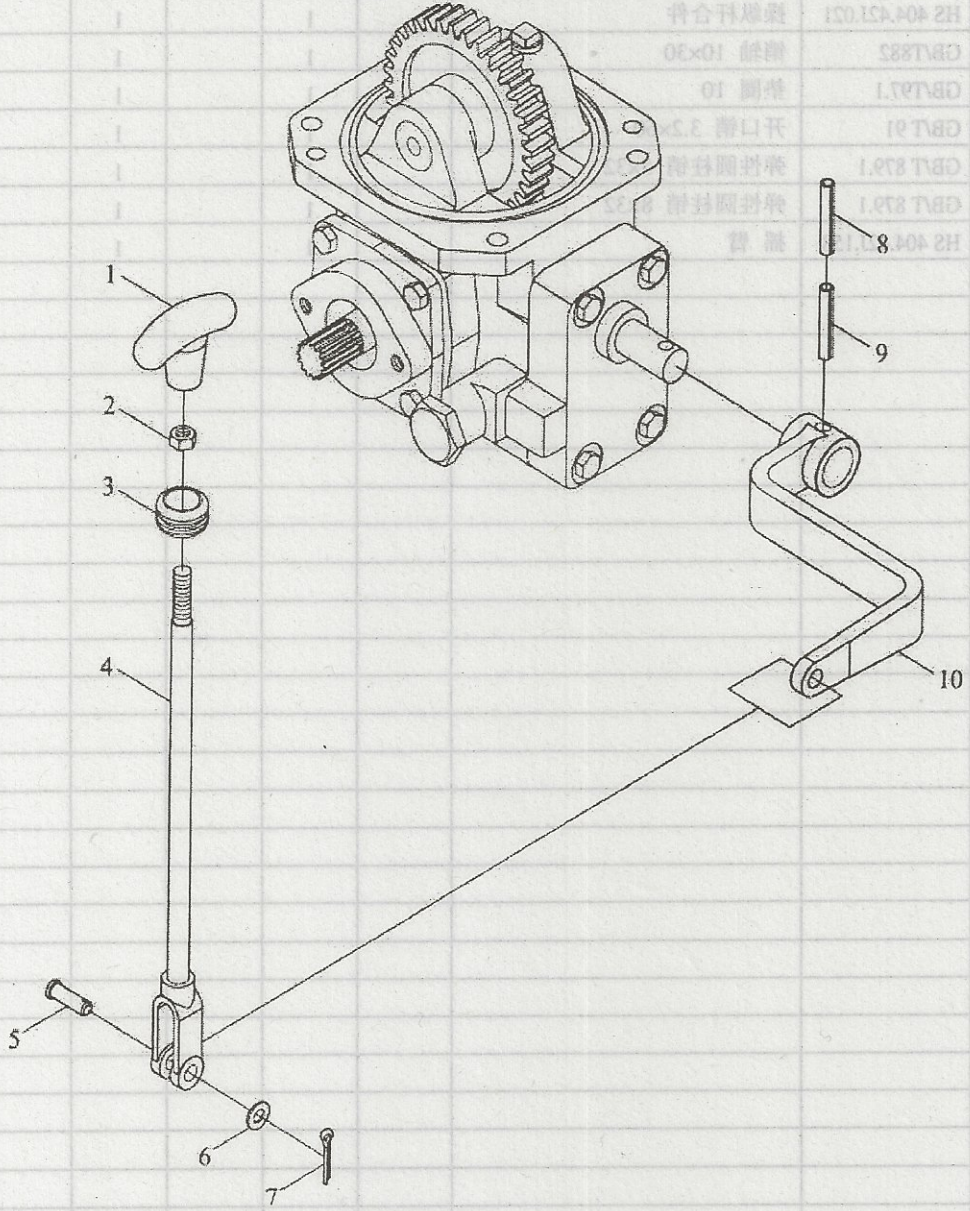
42 分动箱总成-1 (梭式换档机型)  
 42 Transfer Case Assembly-1 (Shuttle-Type Shift Model)



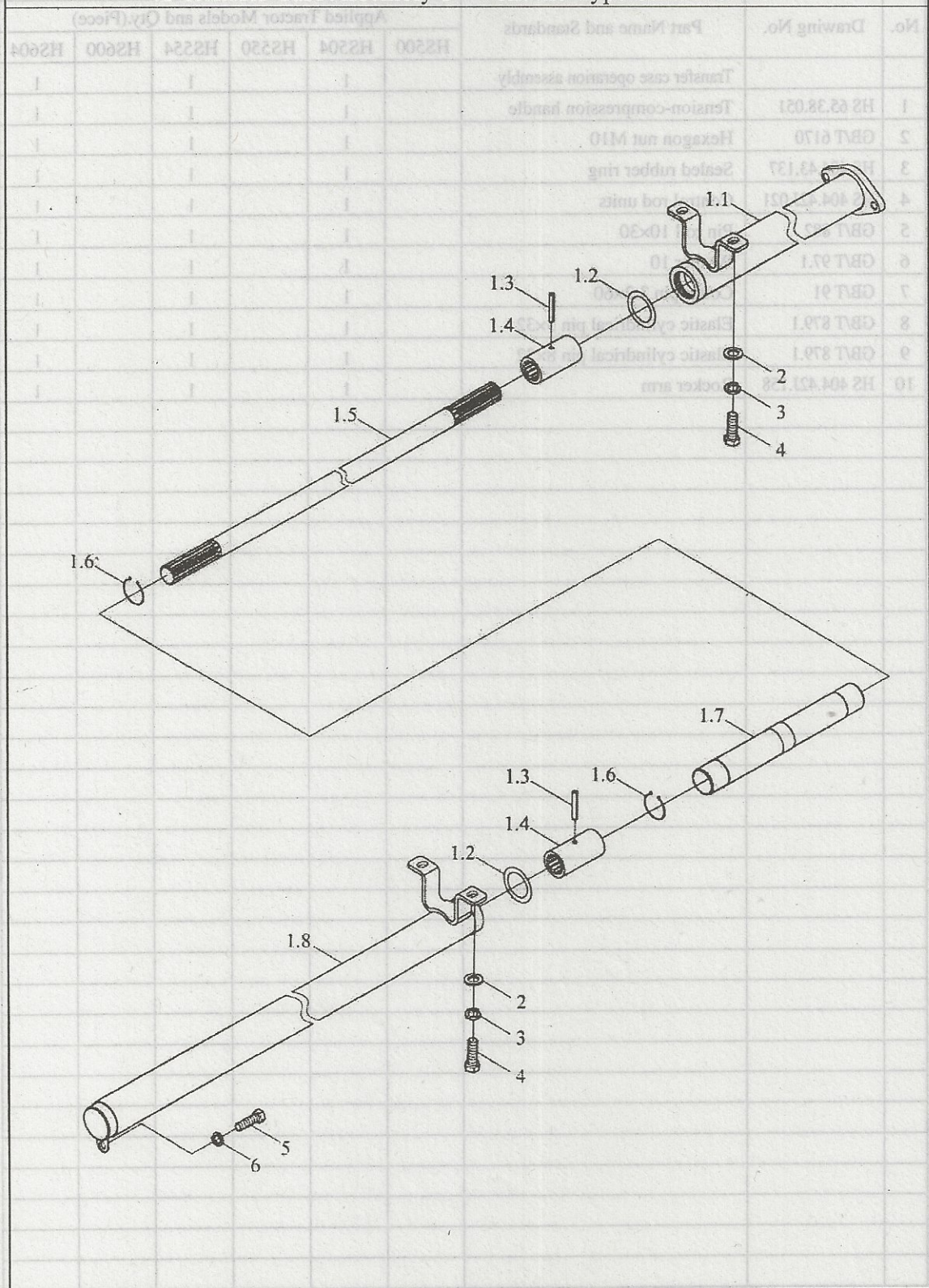


42 分动箱总成-2 (梭式换档机型)  
 42 Transfer Case Assembly-2 (Shuttle-Type Shift Model)

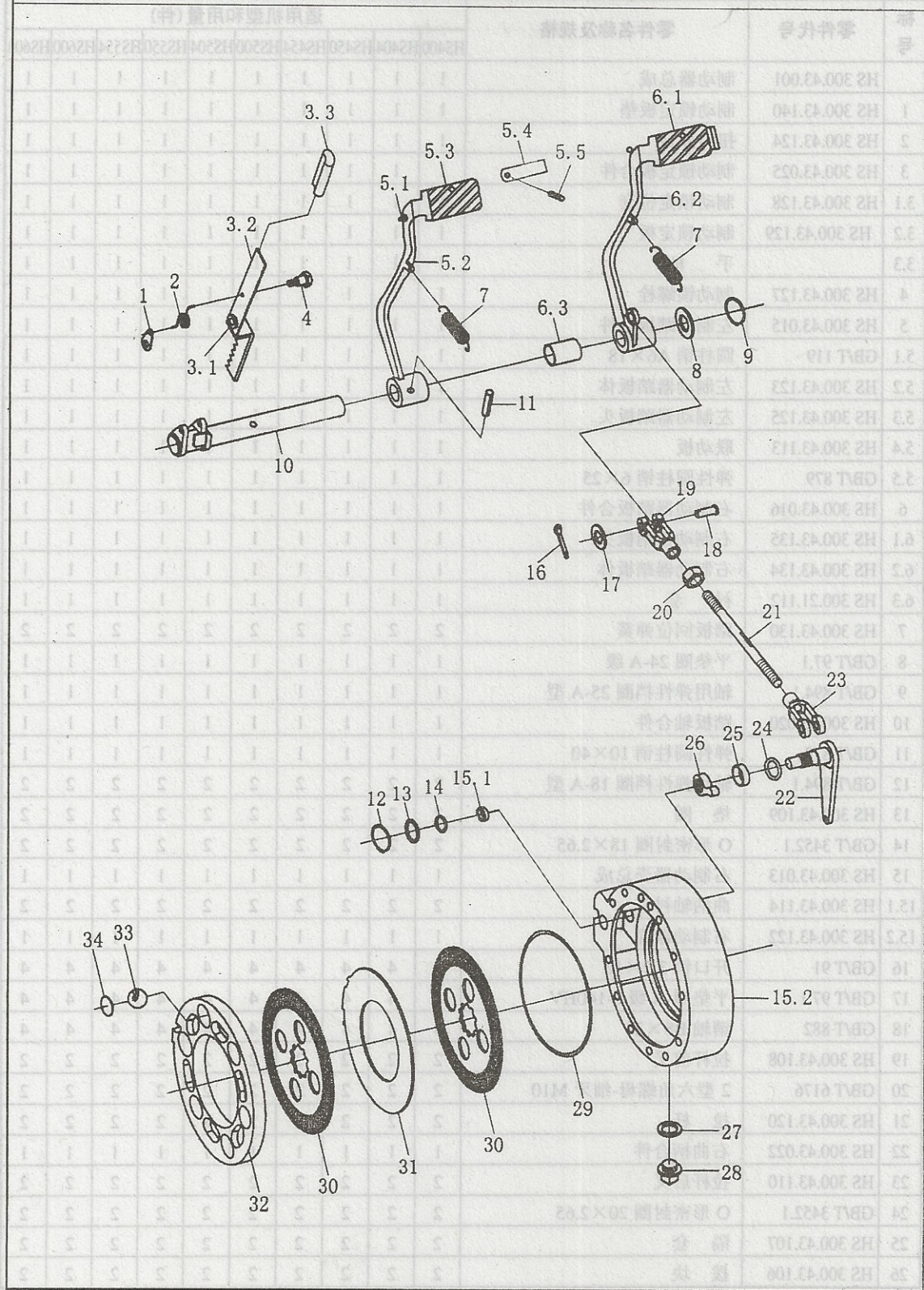
序号	零件代号	名称及规格	数量	备注
1	H2 42.38.021	拨叉轴衬套	1	
2	GB17170	六角螺母M10	1	
3	H2 404.43.137	密封垫圈	1	
4	H2 404.431.021	拨叉轴衬套	1	
5	GB17823	销轴 10×30	1	
6	GB17171	垫圈 10	1	
7	GB1791	开口销 3.2	1	
8	GB17291	零件轴衬套	1	
9	GB17291	零件轴衬套	1	
10	H2 404.43.137	密封垫圈	1	



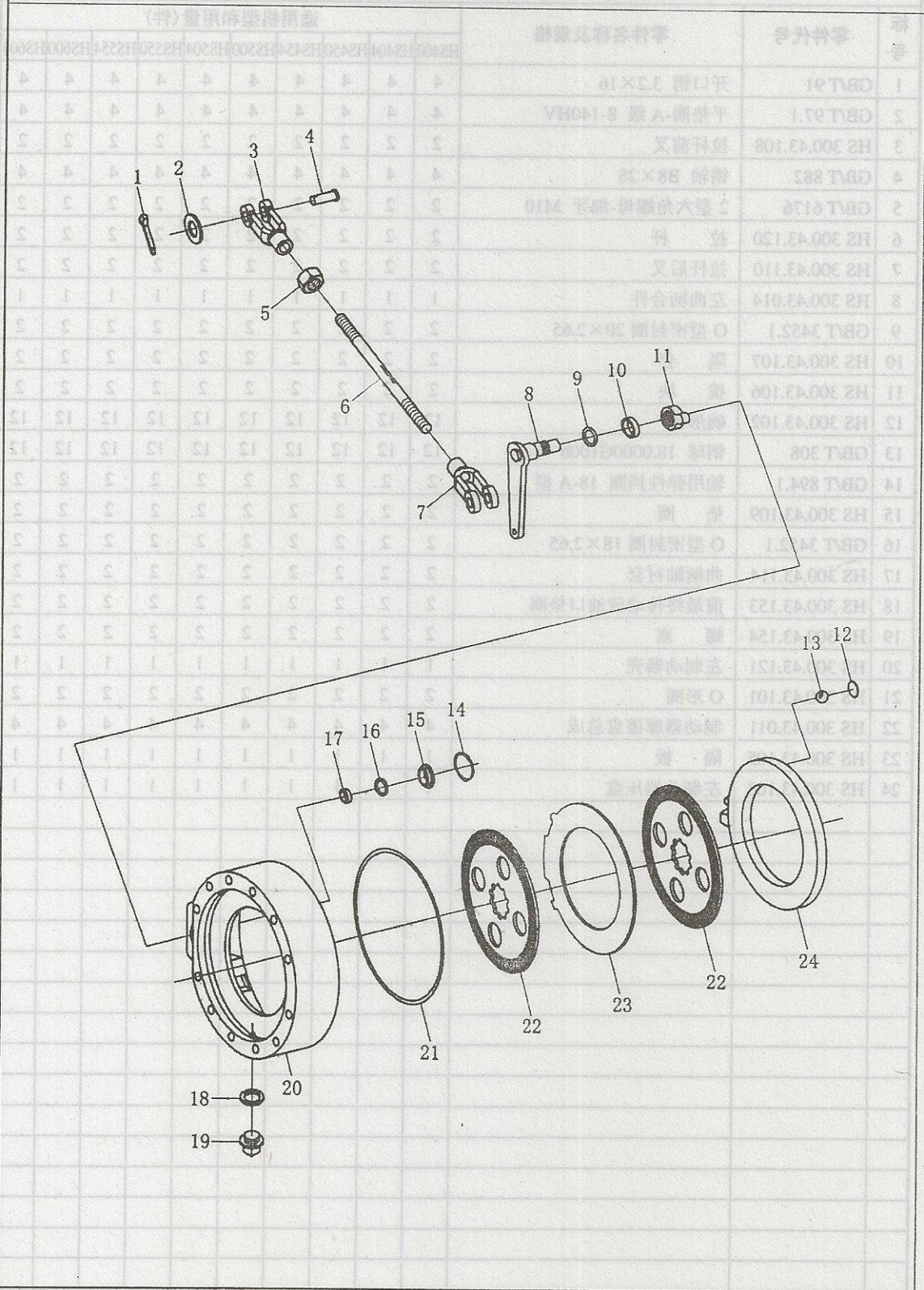
42 分动箱总成-3 (梭式换档机型)  
 42 Transfer Case Assembly-3 (Shuttle-Type Shift Model)



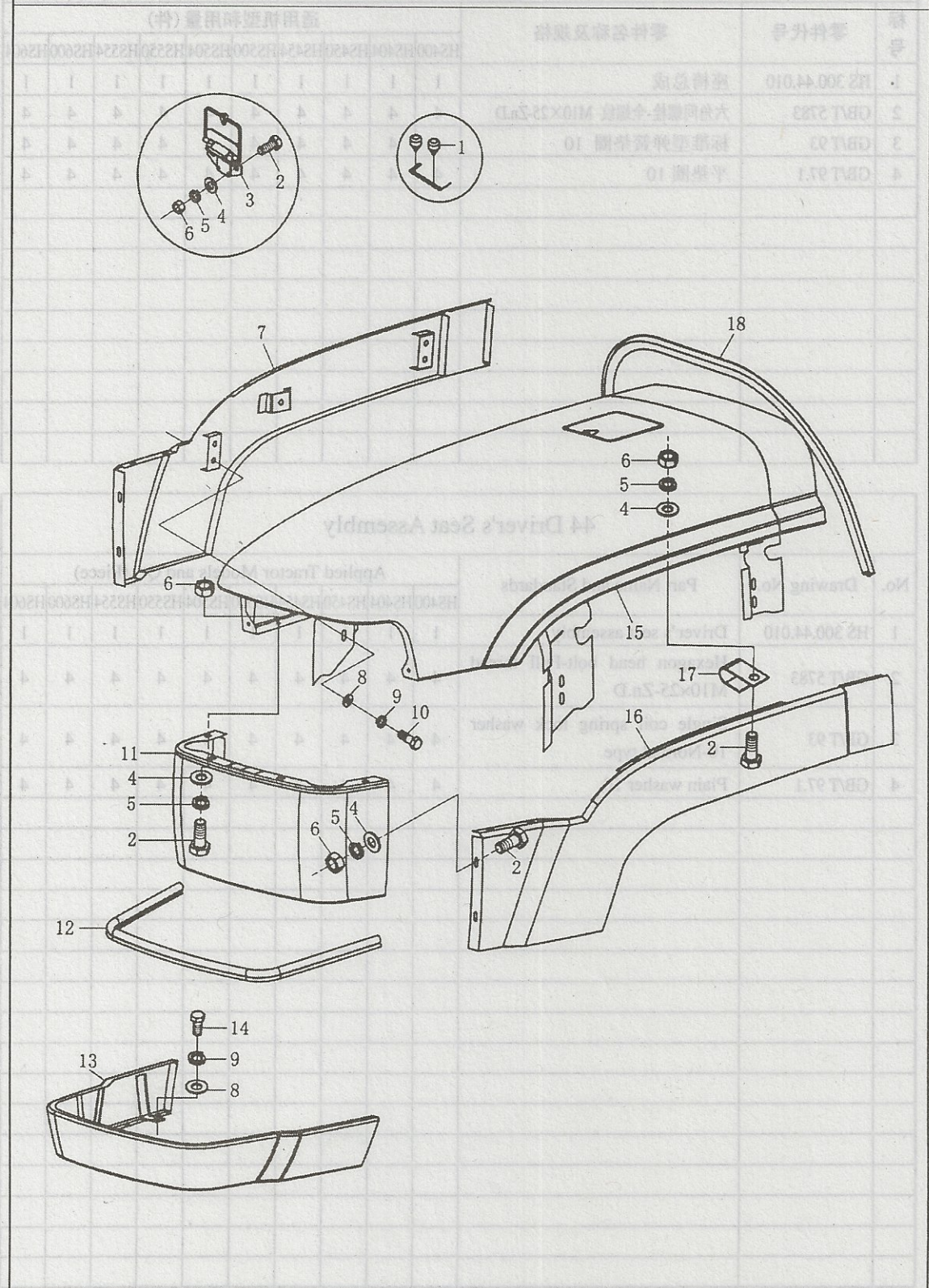
43 制动器总成-1 43 Brake Assembly-1



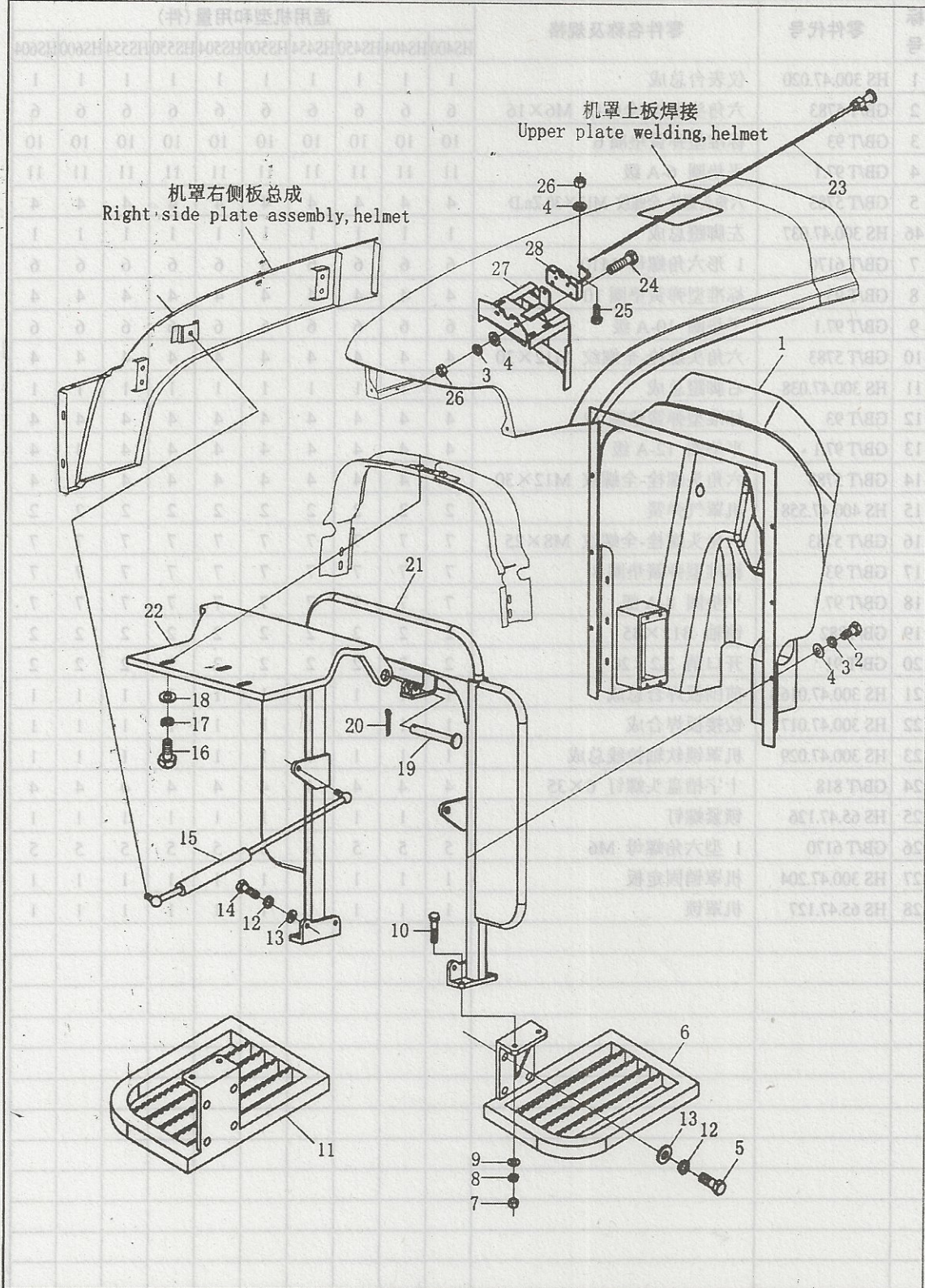
### 43 制动器总成-2 43 Brake Assembly-2



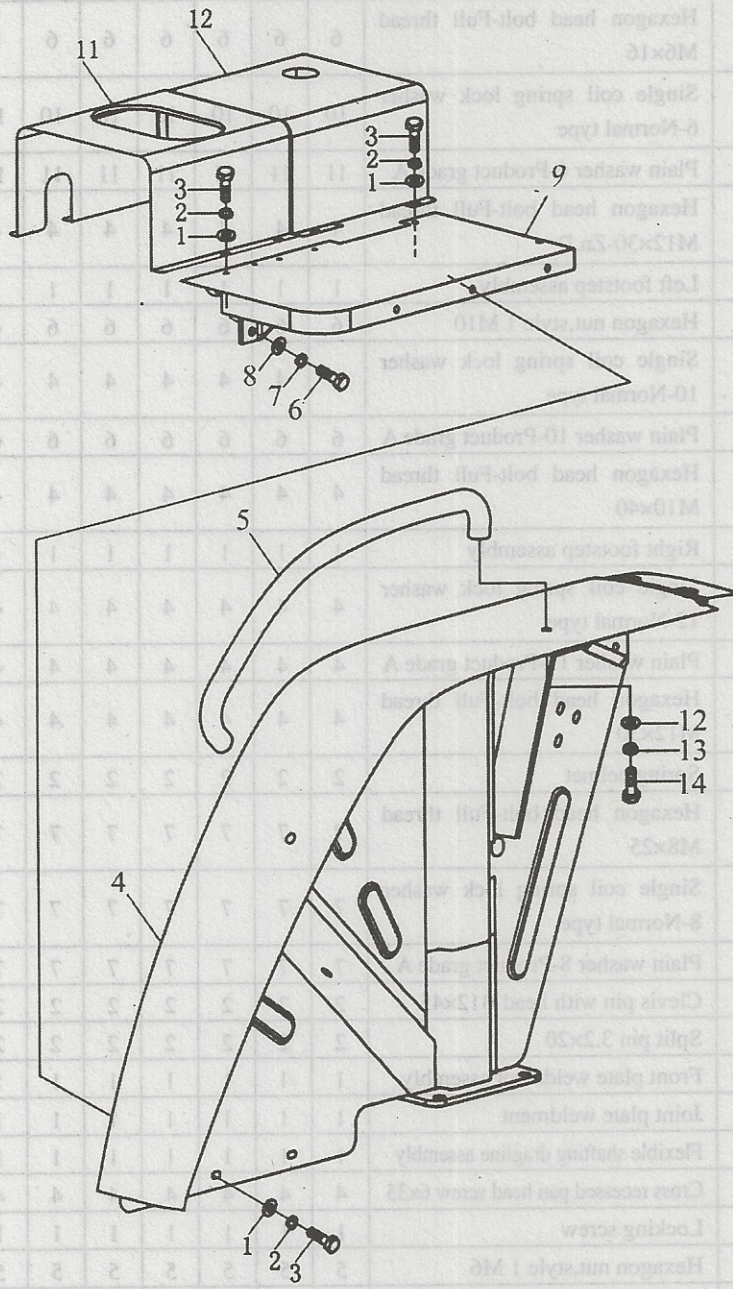
47 机罩装置总成-1 47 Helmet Structure Assembly-1



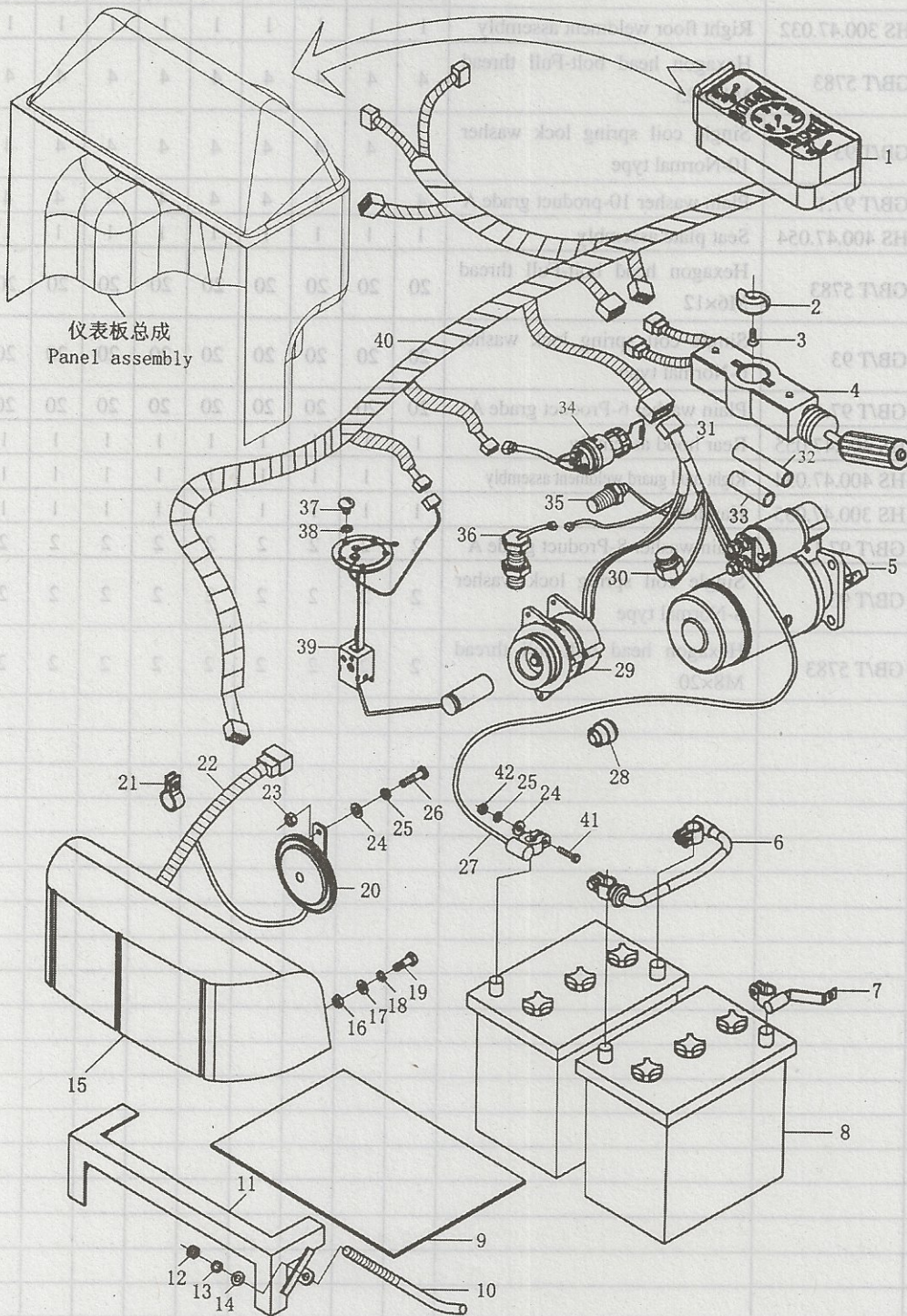
47 机罩装置总成-2 47 Helmet Structure Assembly-2



47 机罩装置总成-3 47 Helmet Structure Assembly-3



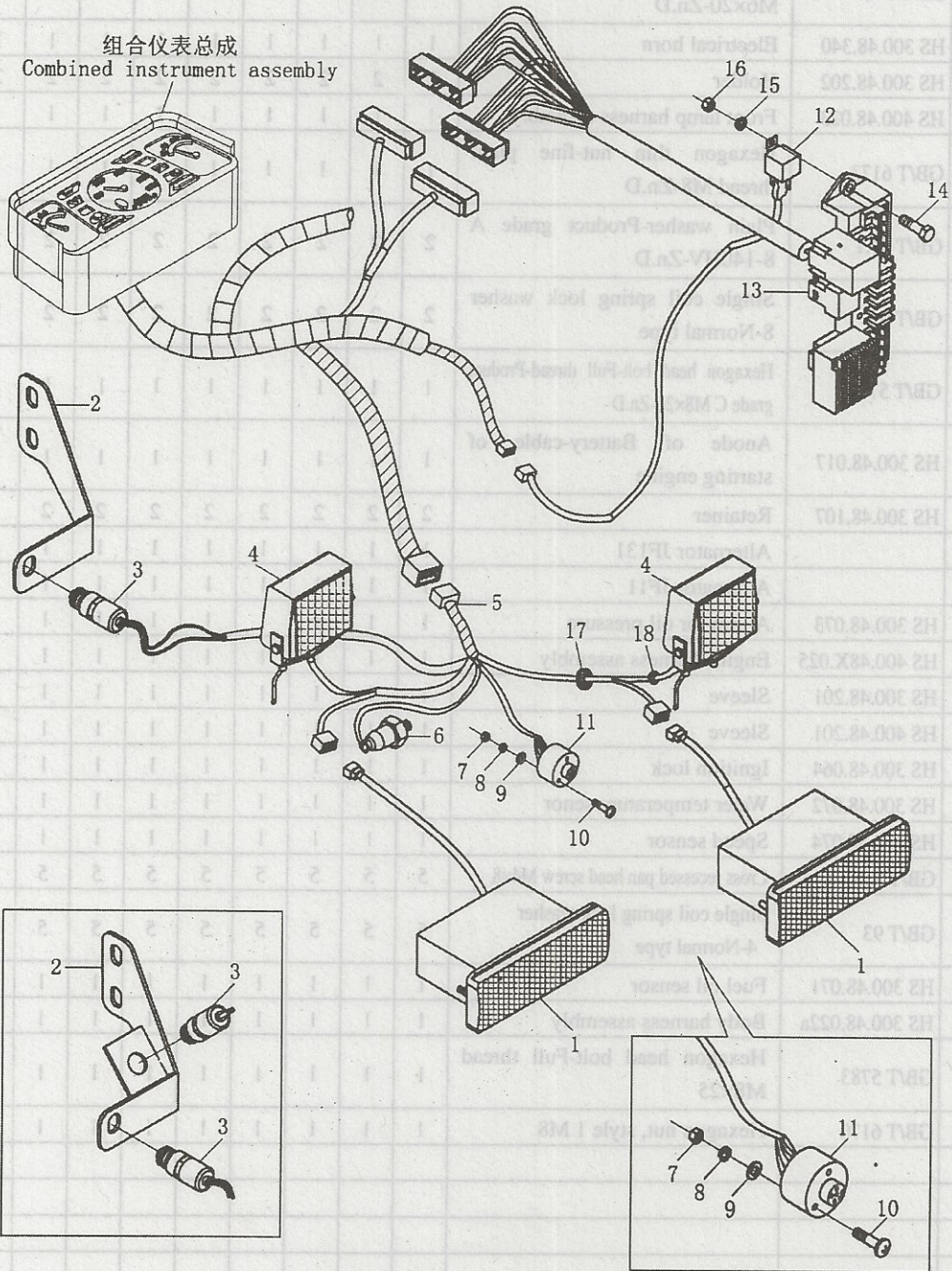
48 电气系总成-1 48 Electrical System Assembly-1



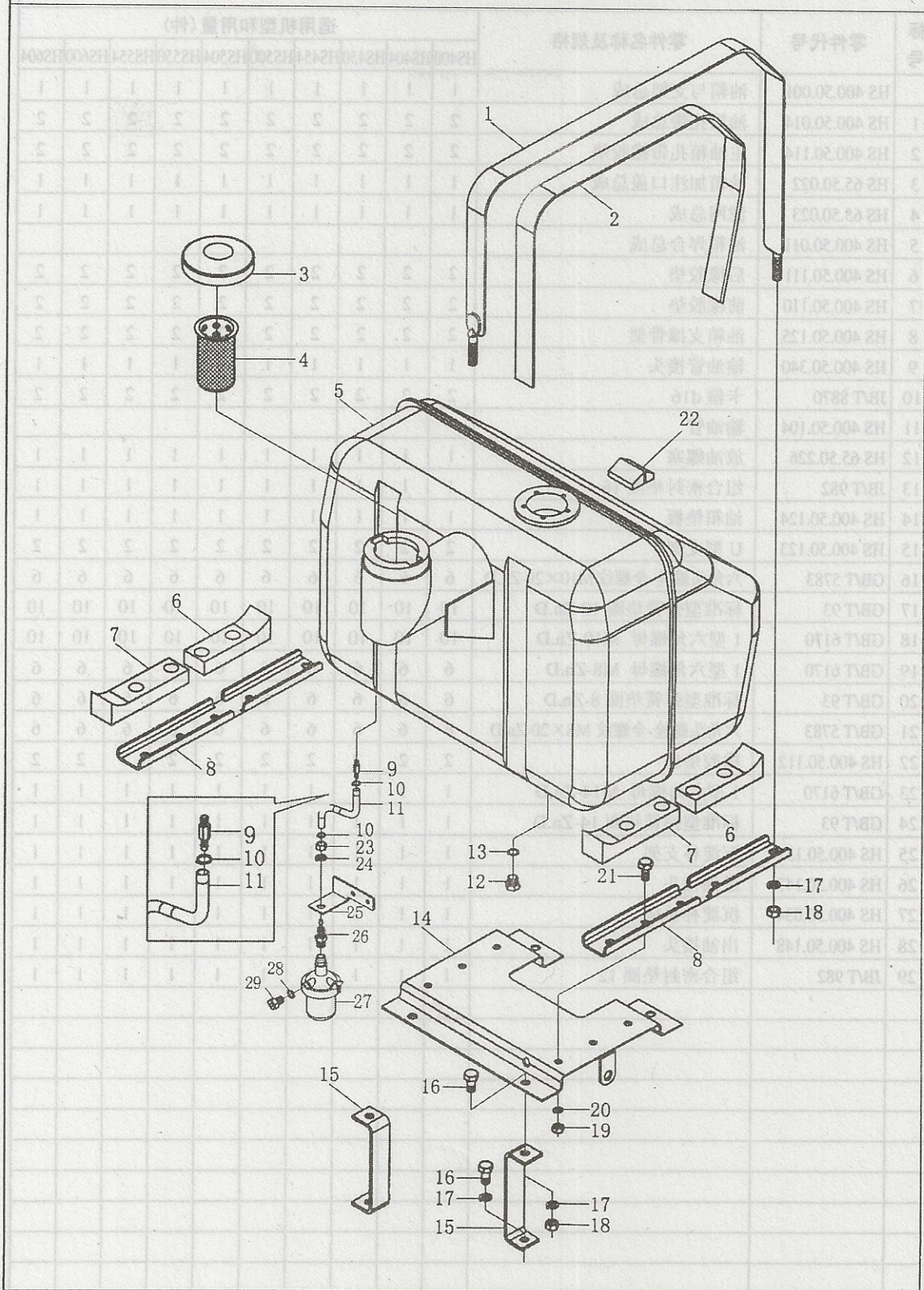


48 电气系总成-2 48 Electrical System Assembly-2

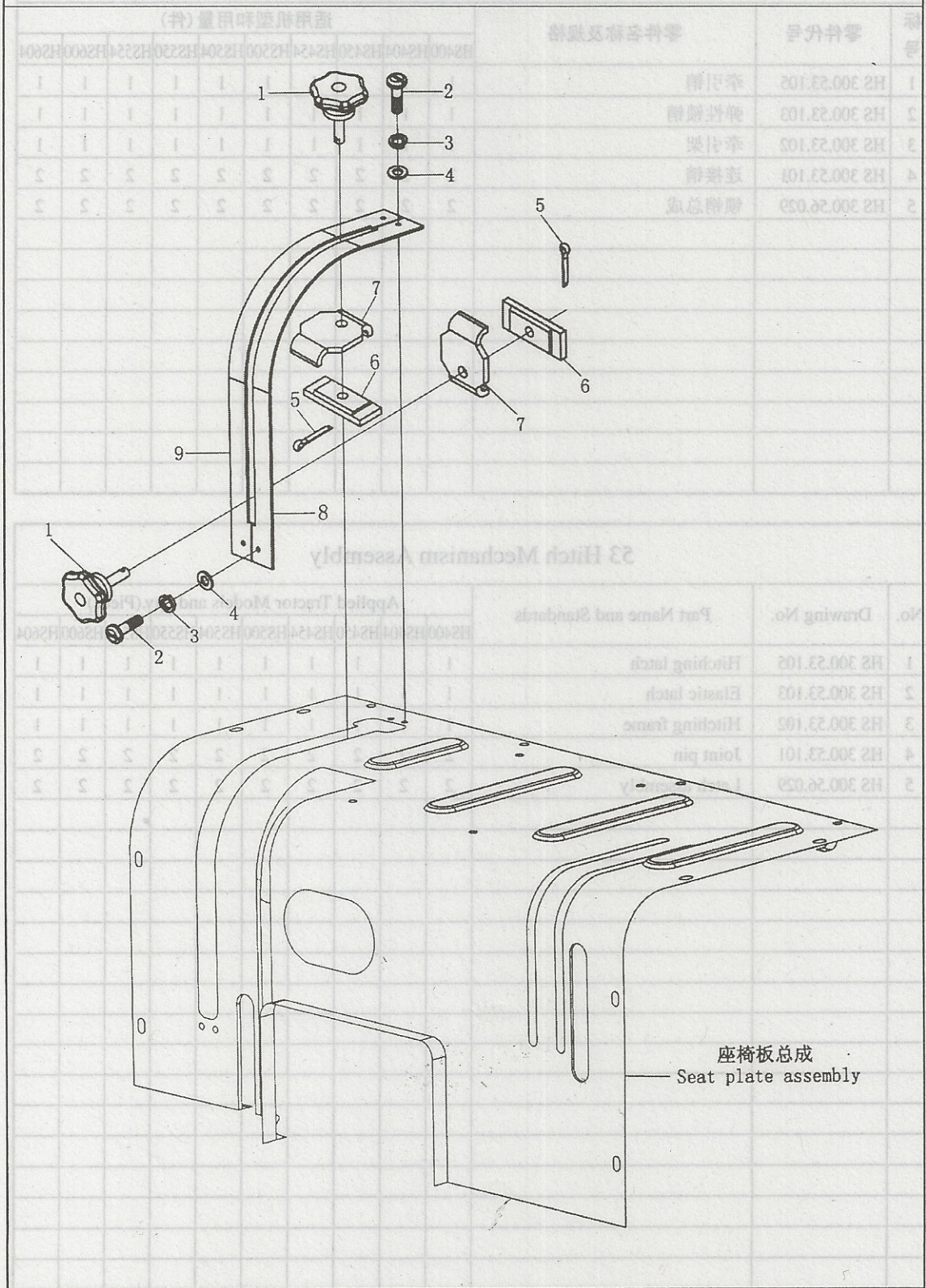
组合仪表总成  
Combined instrument assembly



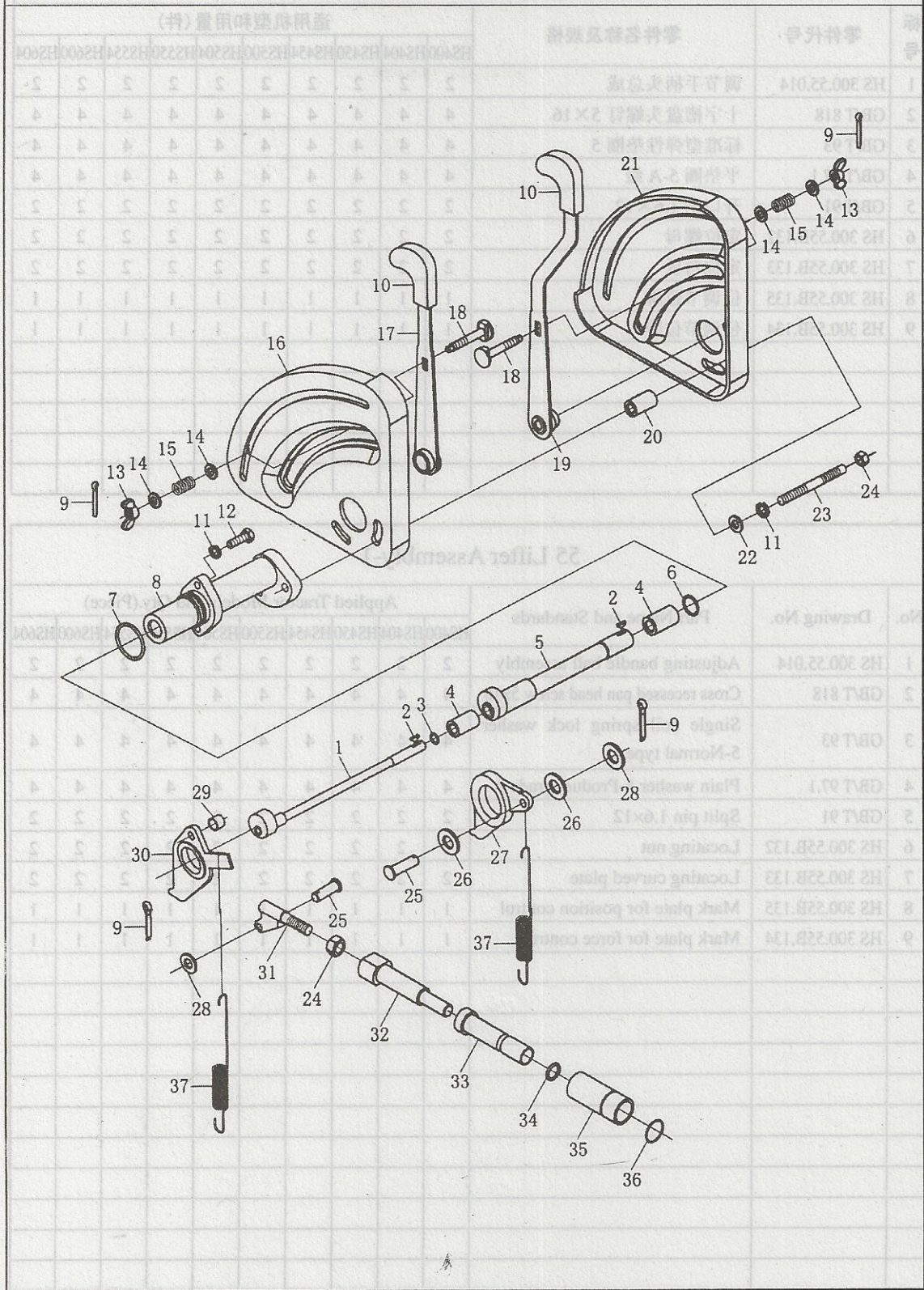
50 油箱与支架总成 50 Fuel Tank and Bracket Assembly



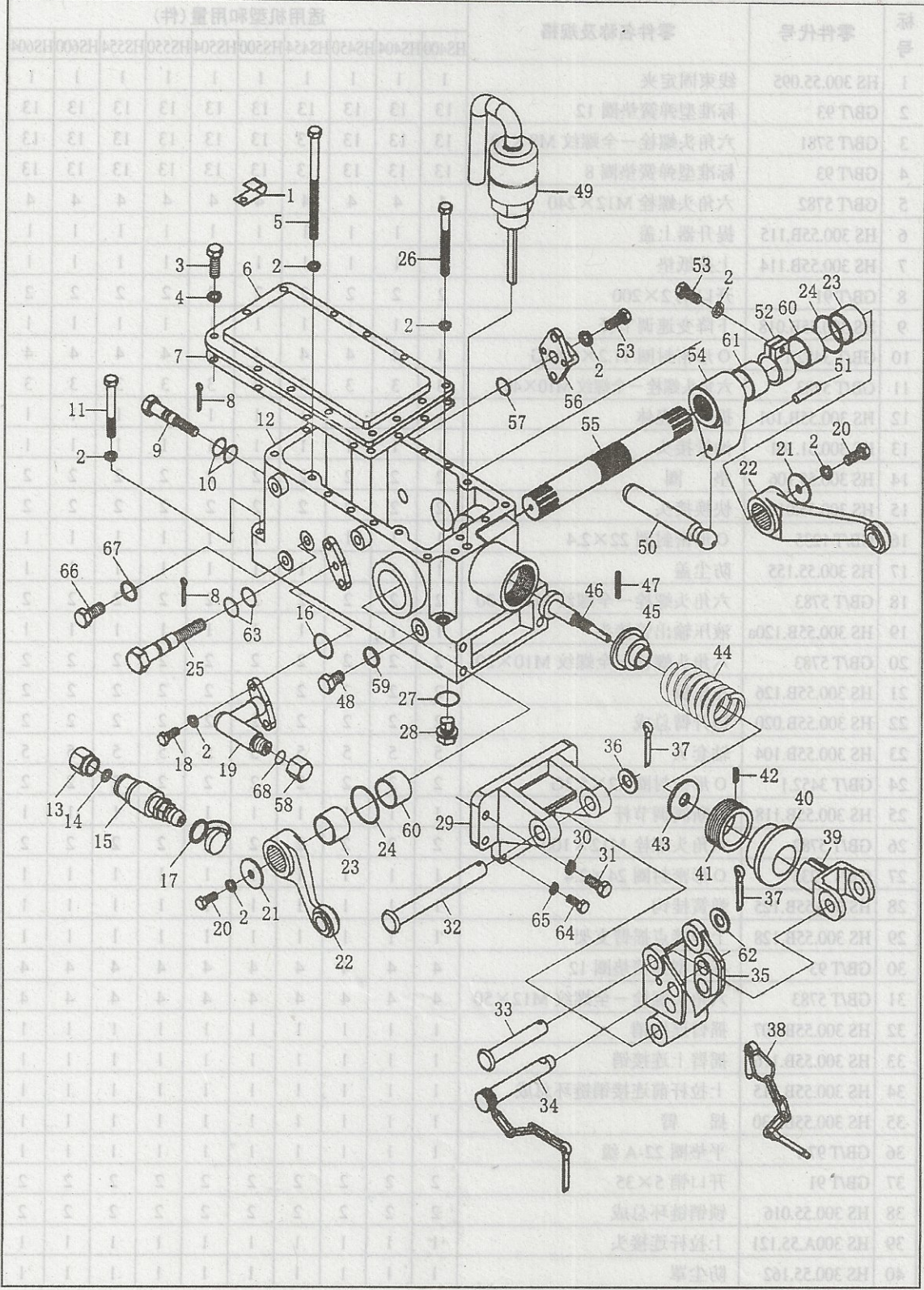
# 55 提升器总成-1 55 Lifter Assembly-1



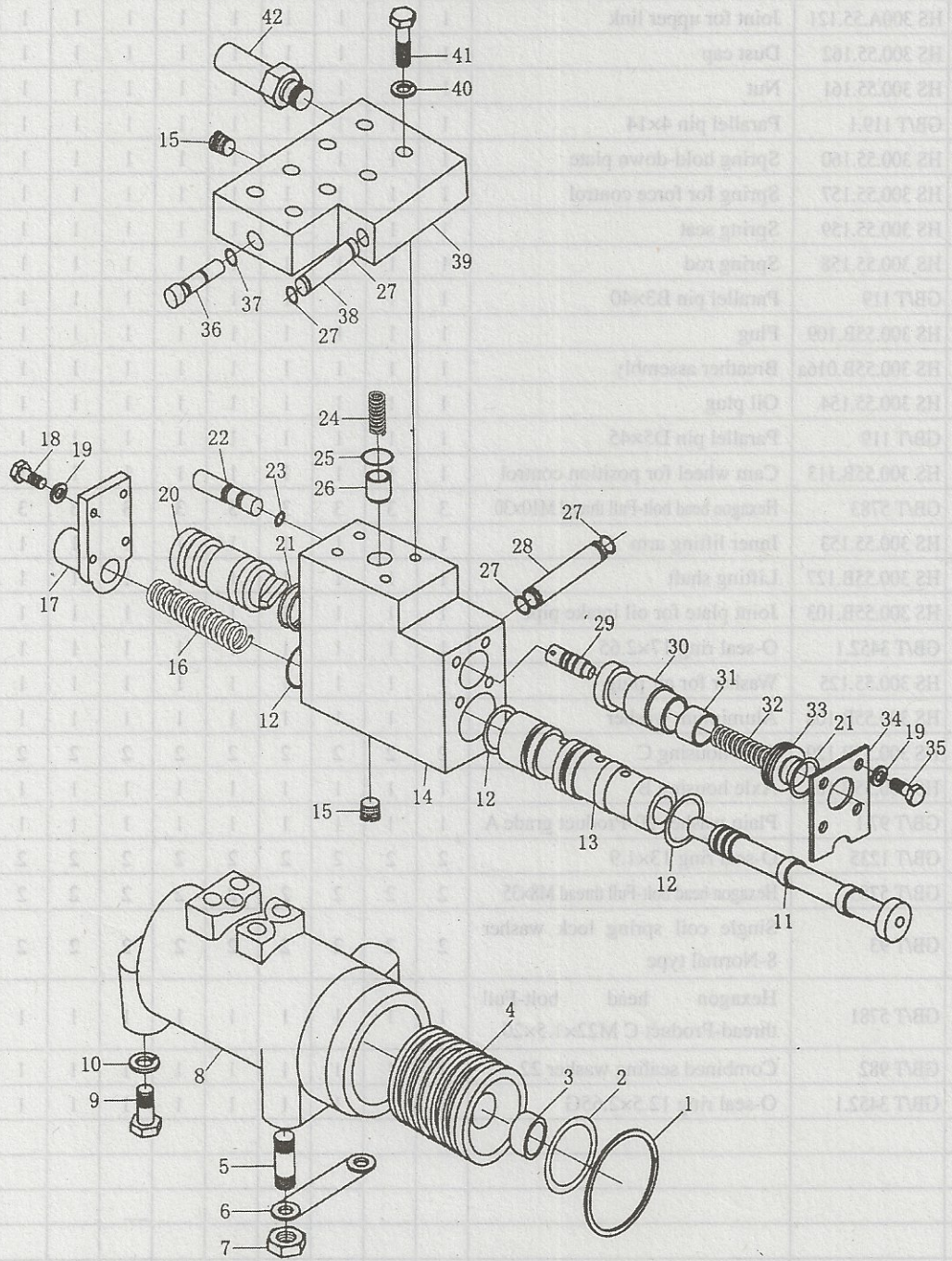
55 提升器总成-2 55 Lifter Assembly-2



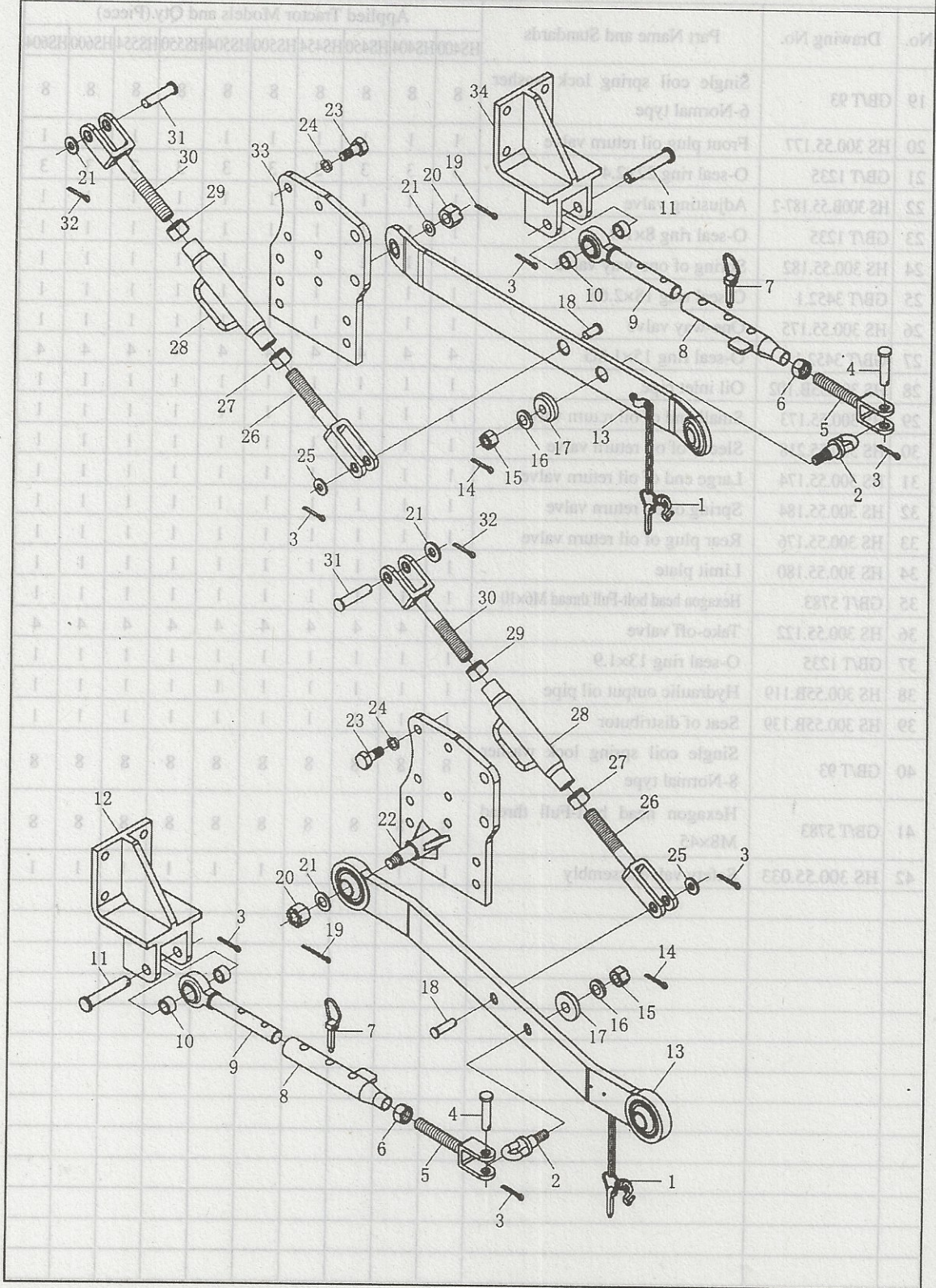
# 55 提升器总成-3 55 Lifter Assembly-3



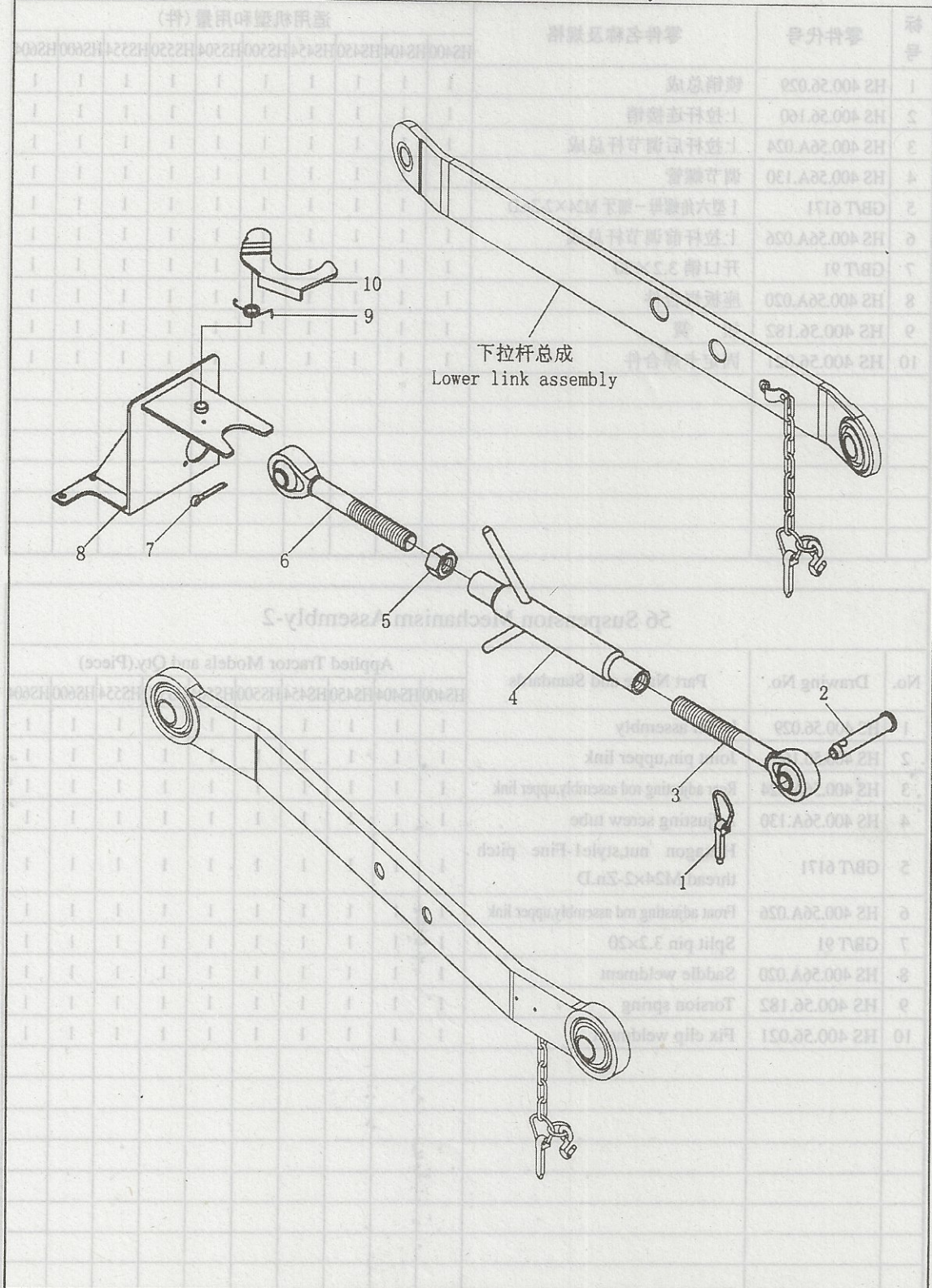
# 55 提升器总成-4 55 Lifter Assembly-4



56 悬挂机构总成-1 56 Suspension Mechanism Assembly-1

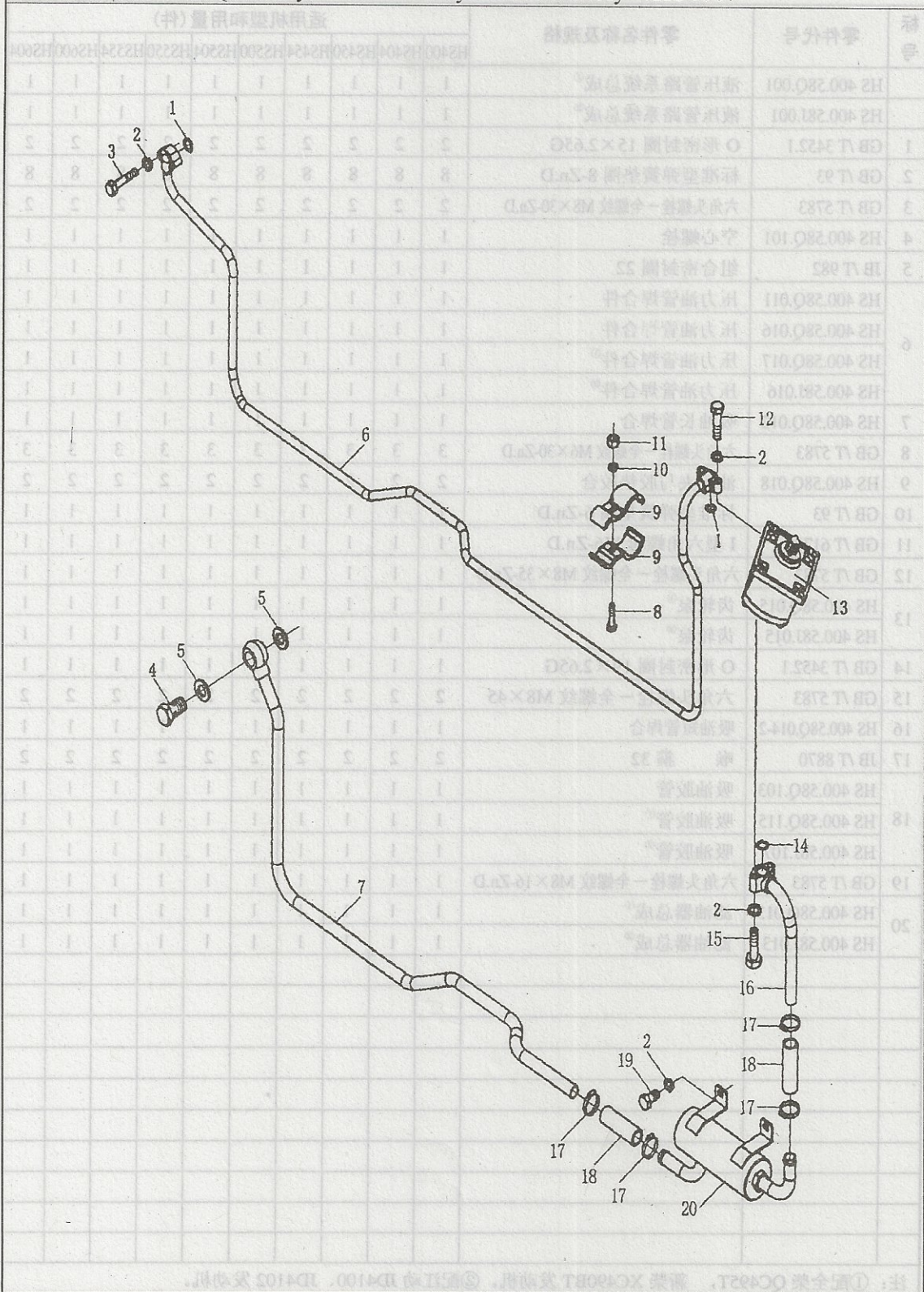


## 56 悬挂机构总成-2 56 Suspension Mechanism Assembly-2



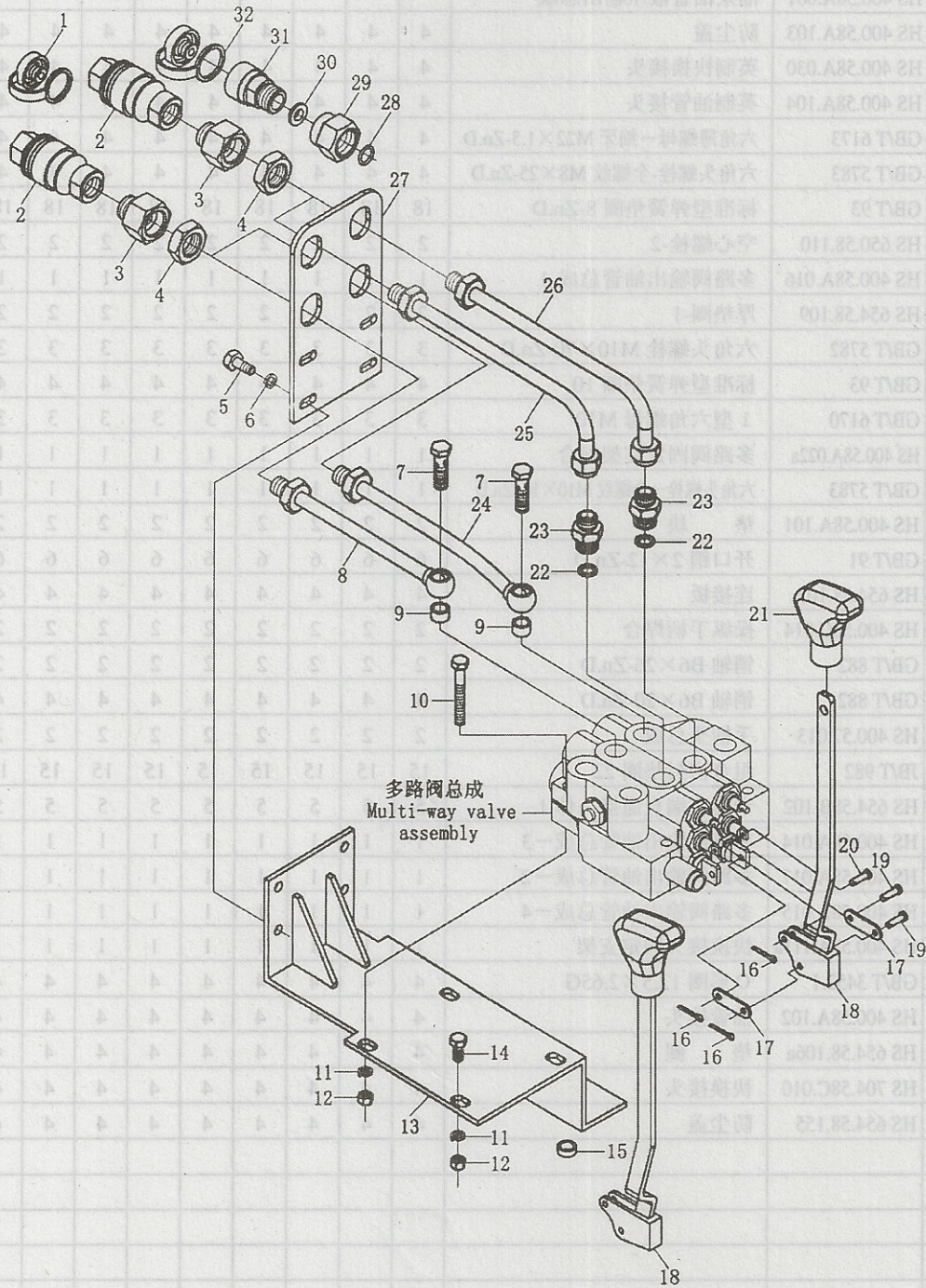


58Q/58J 液压管路系统总成 (HS400)  
 58Q/58J Hydraulic Line System Assembly (HS400)



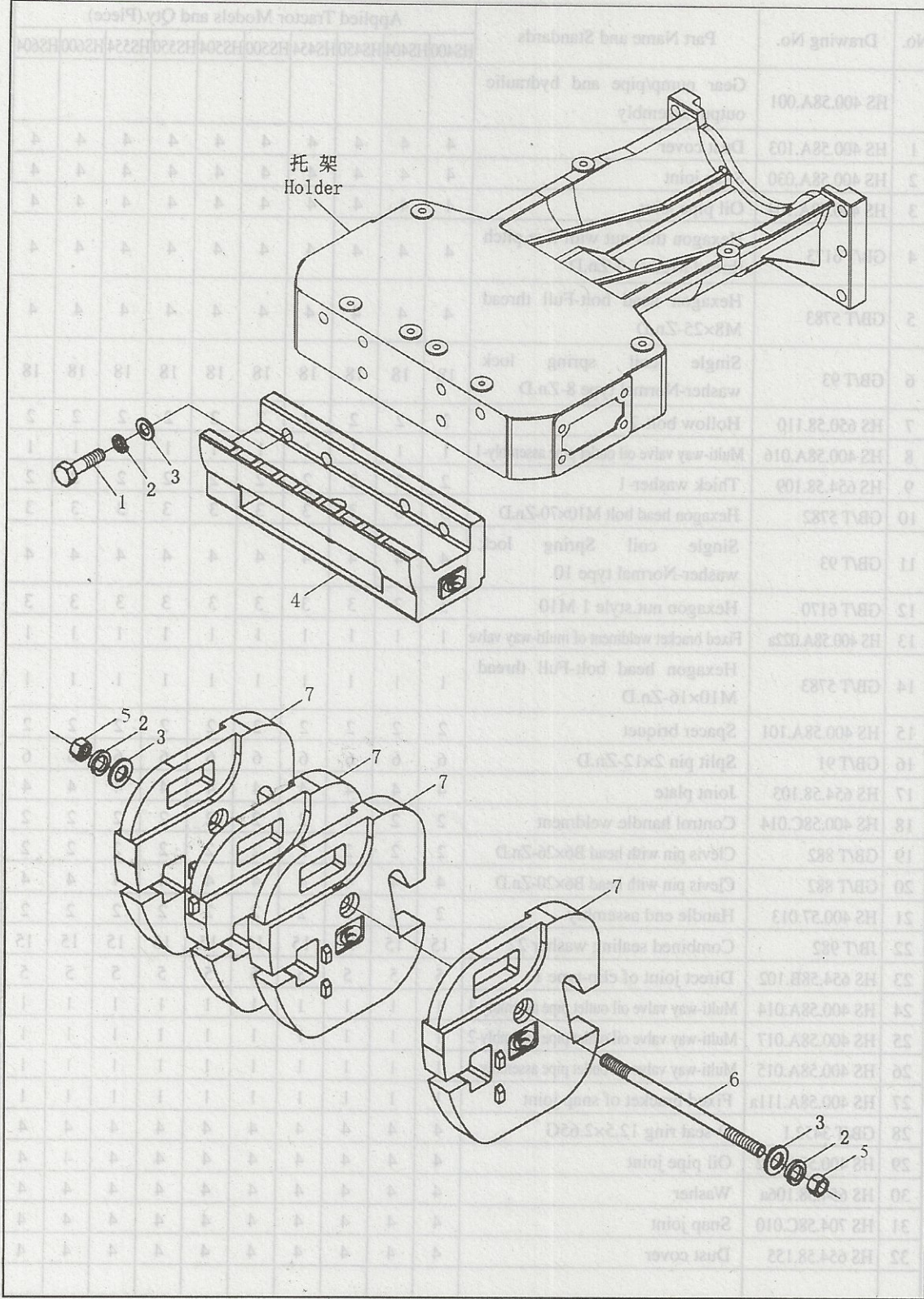


58Q/58J 油泵油管液压输出总成-2  
 58Q/58J Gear Pump/Pipe and Hydraulic Output Assembly-2

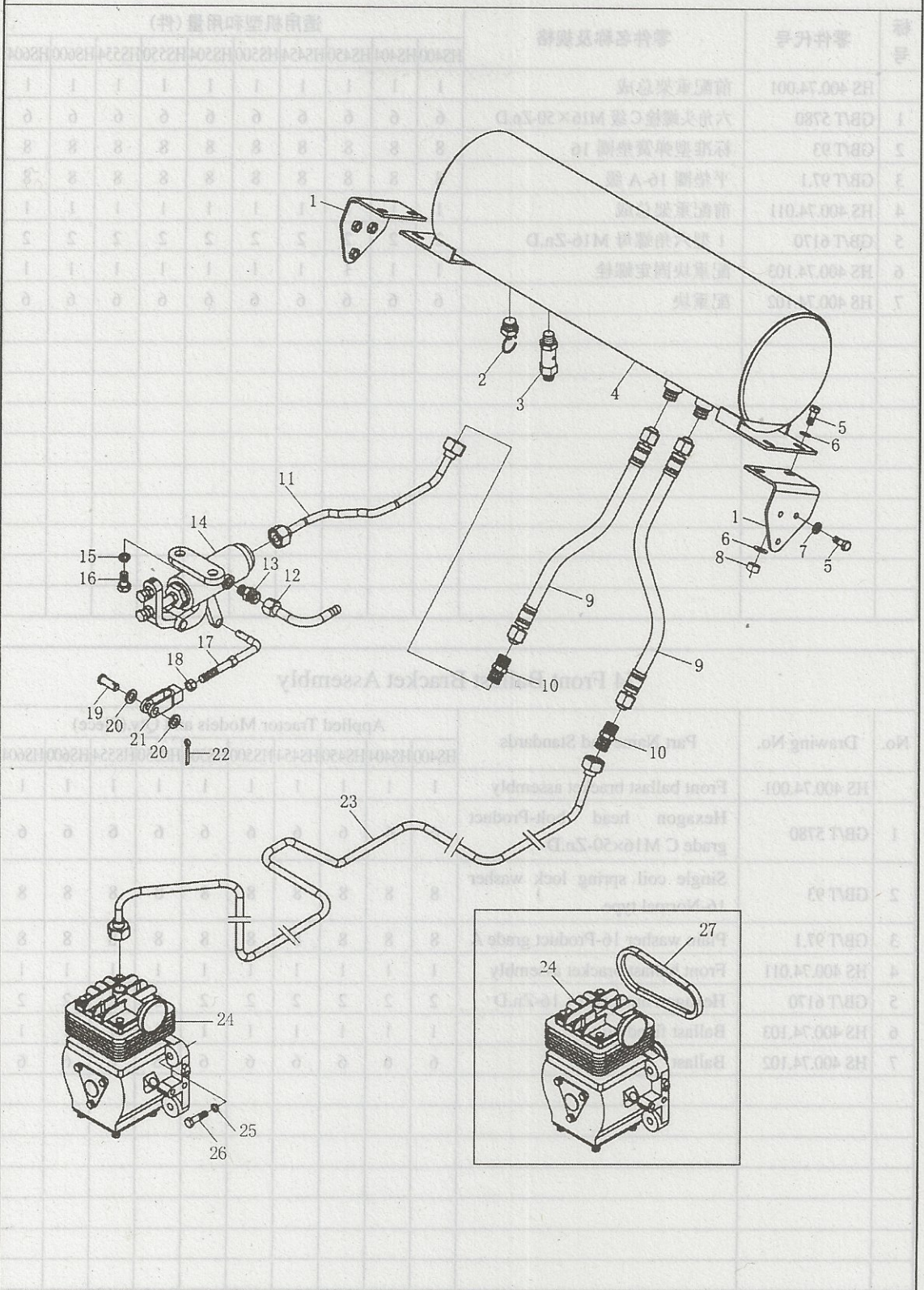


74 前配重架总成

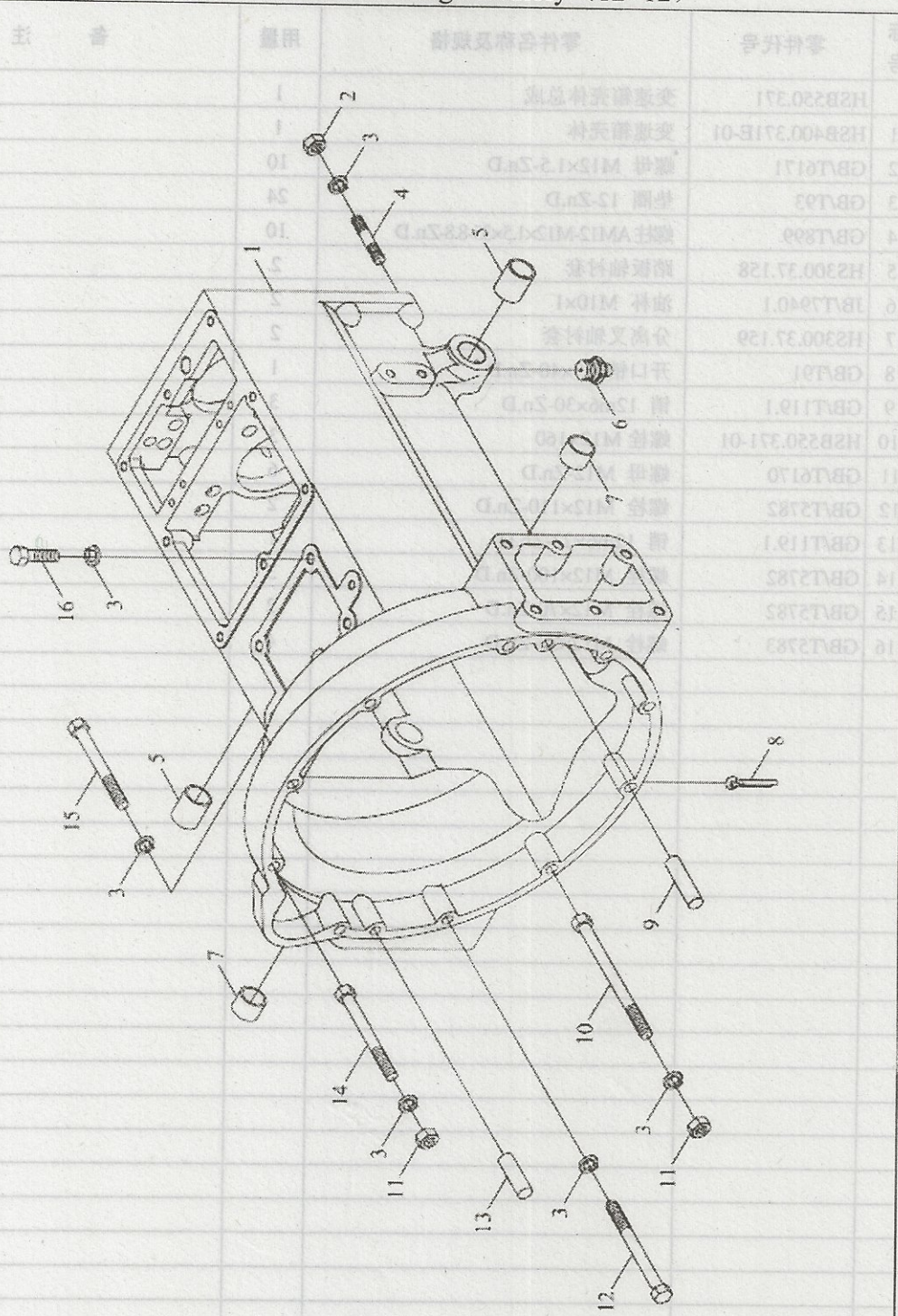
74 Front Ballast Bracket Assembly



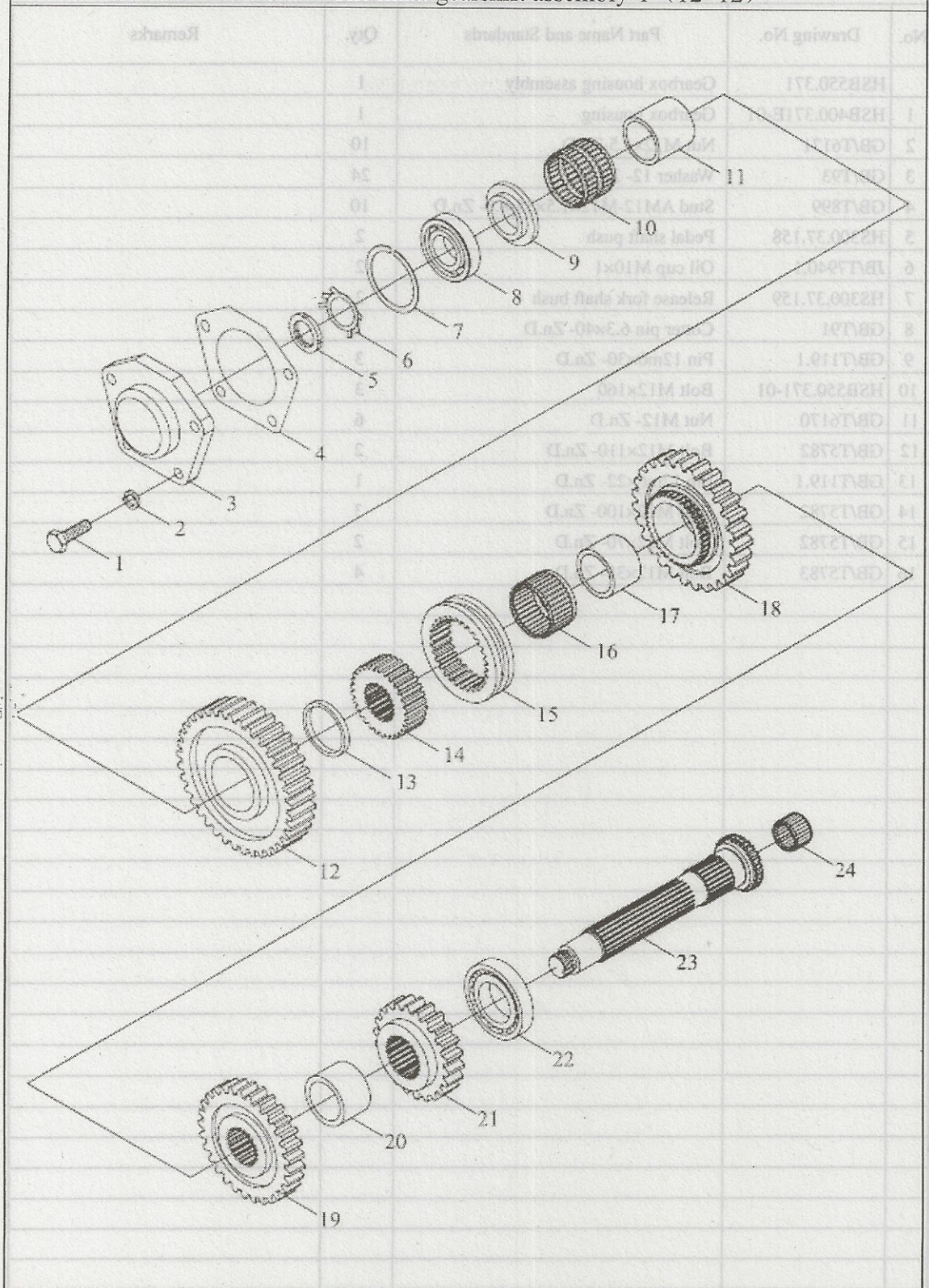
# 80 气刹装置总成 80 Pneumatic Braking System Assembly



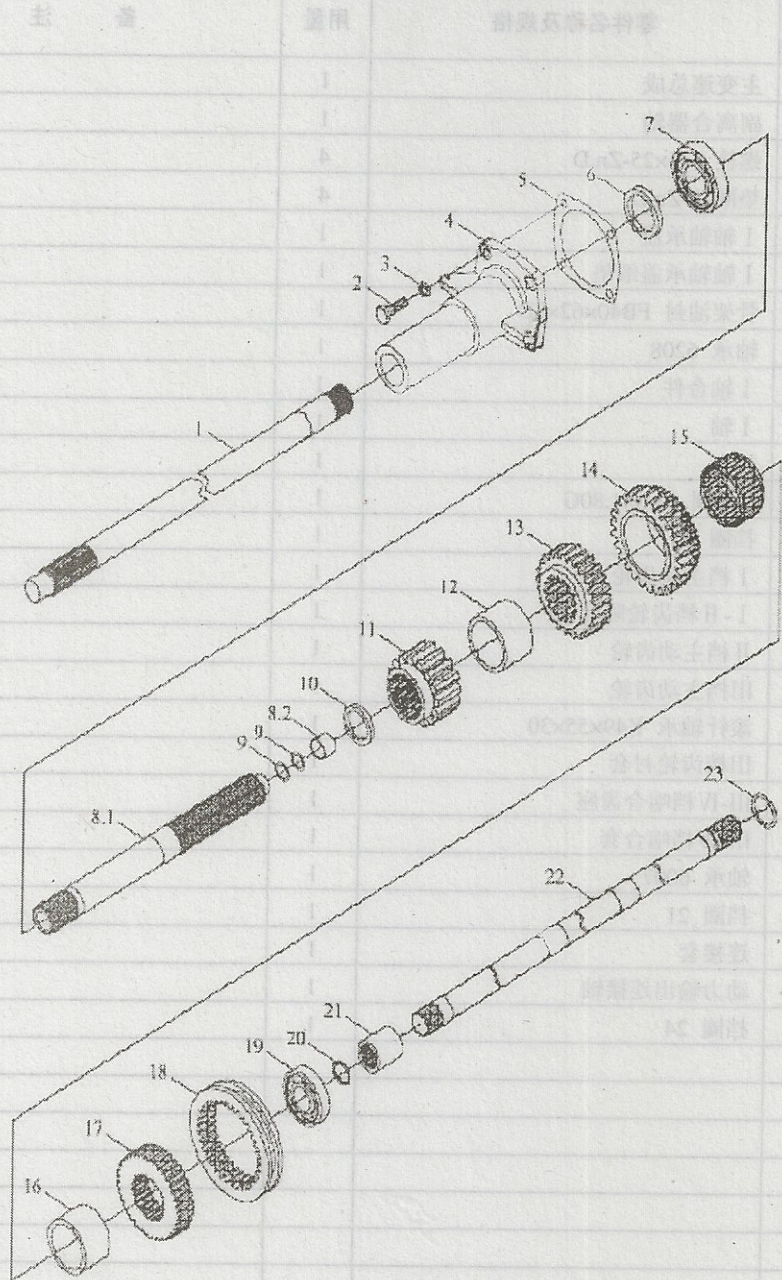
HSB550.371 变速箱壳体总成 (12+12)  
 HSB550.371 Gearbox housing assembly (12+12)



HSB550.372 主变速总成-1 (12+12)  
 HSB550.372 The main gearshift assembly-1 (12+12)



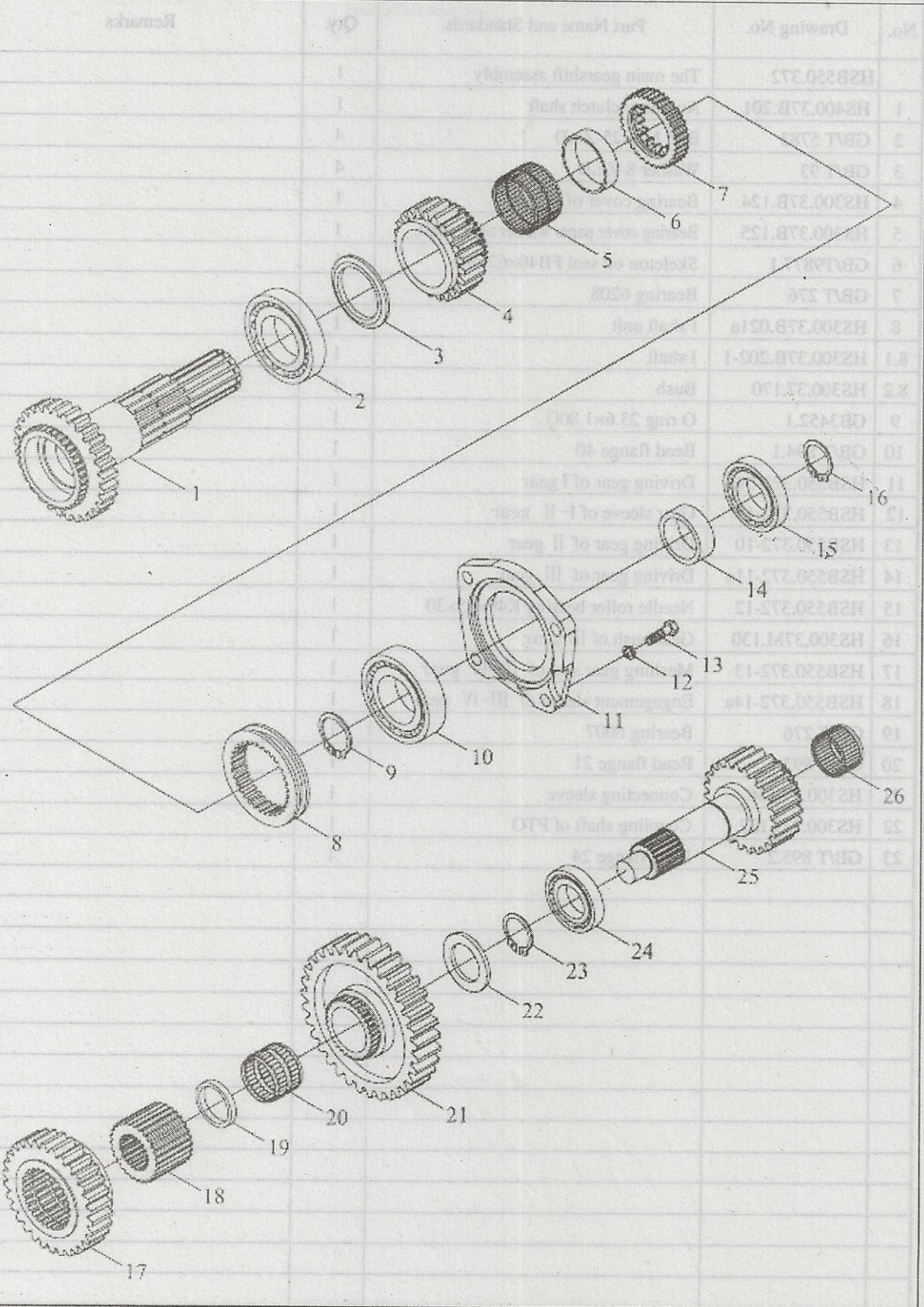
HSB550.372 主变速总成-2 (12+12)  
 HSB550.372 The main gearshift assembly-2 (12+12)



序号	零件代号	数量	名称
1	H2400.37B.201	1	主变速总成
2	GB/T 2783	4	轴套
3	GB/T 93	4	垫圈
4	H2300.37B.124	1	轴套
5	H2300.37B.125	1	轴套
6	GB/T 2781.1	1	轴套
7	GB/T 276	1	轴套
8	H2300.37B.021a	1	轴套
8.1	H2300.37B.200-1	1	轴套
8.2	H2300.37.170	1	轴套
9	GB4252.1	1	轴套
10	GB/T 894.1	1	轴套
11	H2300.372-09a	1	轴套
12	H2300.372-19	1	轴套
13	H2300.372-10	1	轴套
14	H2300.372-11a	1	轴套
15	H2300.372-12	1	轴套
16	H2300.37M.130	1	轴套
17	H2300.372-13	1	轴套
18	H2300.372-14a	1	轴套
19	GB/T 276	1	轴套
20	GB/T 893.1	1	轴套
21	H2300.37.126	1	轴套
22	H2300.371.137	1	轴套
23	GB/T 892.3	1	轴套

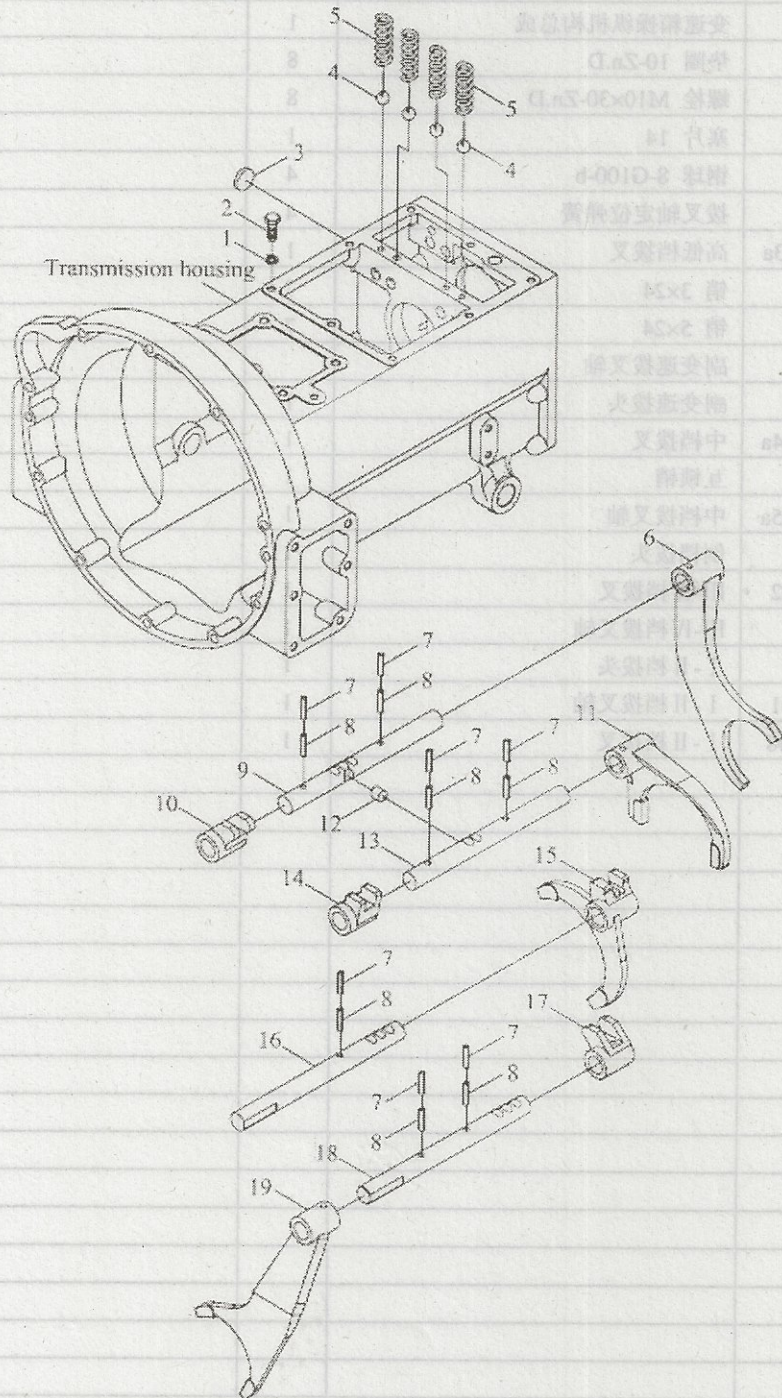


HSB550.373 副变速总成 (12+12)  
 HSB550.373 The auxiliary gearshift assembly-2 (12+12)

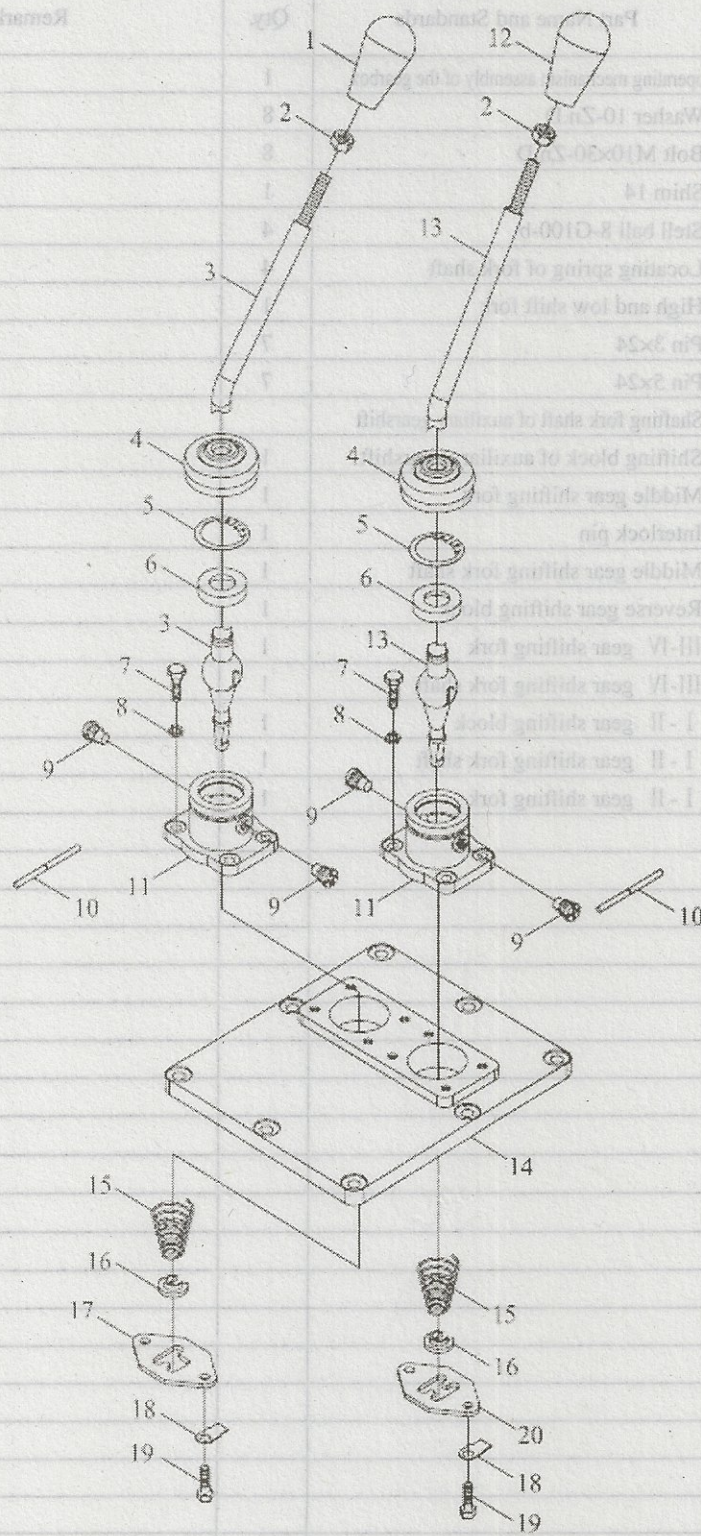


HSB550.374 变速箱操纵机构总成 - 1 (12+12)  
 HSB550.374 Operating mechanism assembly of the gearbox-1 (12+12)

注 音	数量	名称及规格	零件代号	序号
	1	变速箱操纵机构总成	HSB550.374	
	8	弹簧 10-24D	GBT 93	1
	8	螺栓 M10×30-24D	GBT 2783	2
		垫片 14	Q 251	3
		螺母 8-G100-8	GBT 308	4
		拨叉轴套螺母	H2300.37.132	5
		高低档拨叉	HSB550.374-03a	6
		销 3×24	GBT 879.1	7
		销 2×24	GBT 879.1	8
		副变速箱拨叉	H2300.37.156	9
		副变速箱拨叉	H2300.37.154	10
		中档拨叉	HSB550.374-04a	11
		副拨叉	H2300.37.151	12
		中档拨叉轴	HSB550.374-05a	13
			H2300.37.153	14
			HSB550.374-05	15
			H2300.37.150	16
			H2300.37.152	17
			HSB550.374-01	18
			H2300.37M.1	19

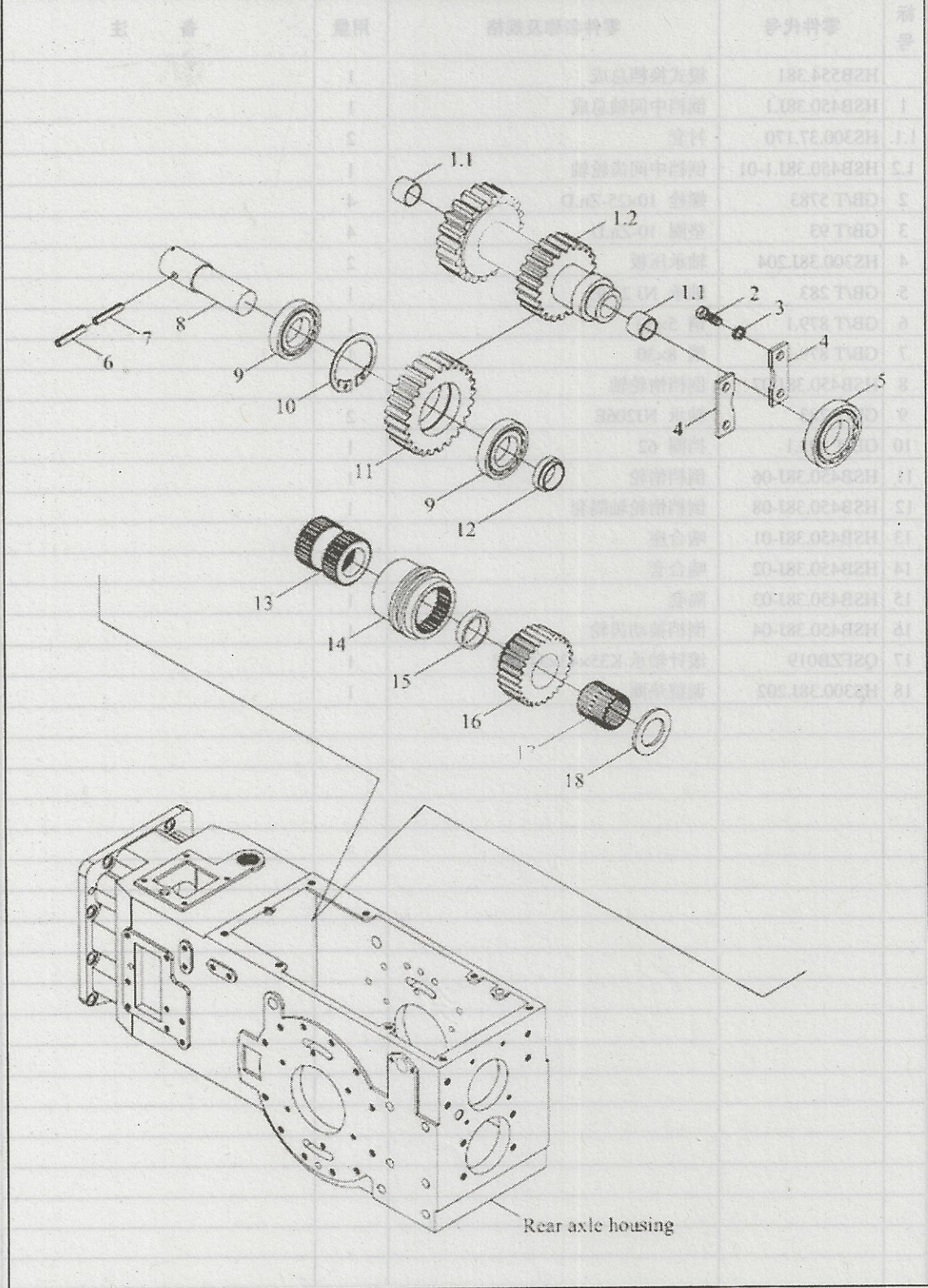


HSB550.374 变速箱操纵机构总成 - 2 (12+12)  
 HSB550.374 Operating mechanism assembly of the gearbox-2 (12+12)

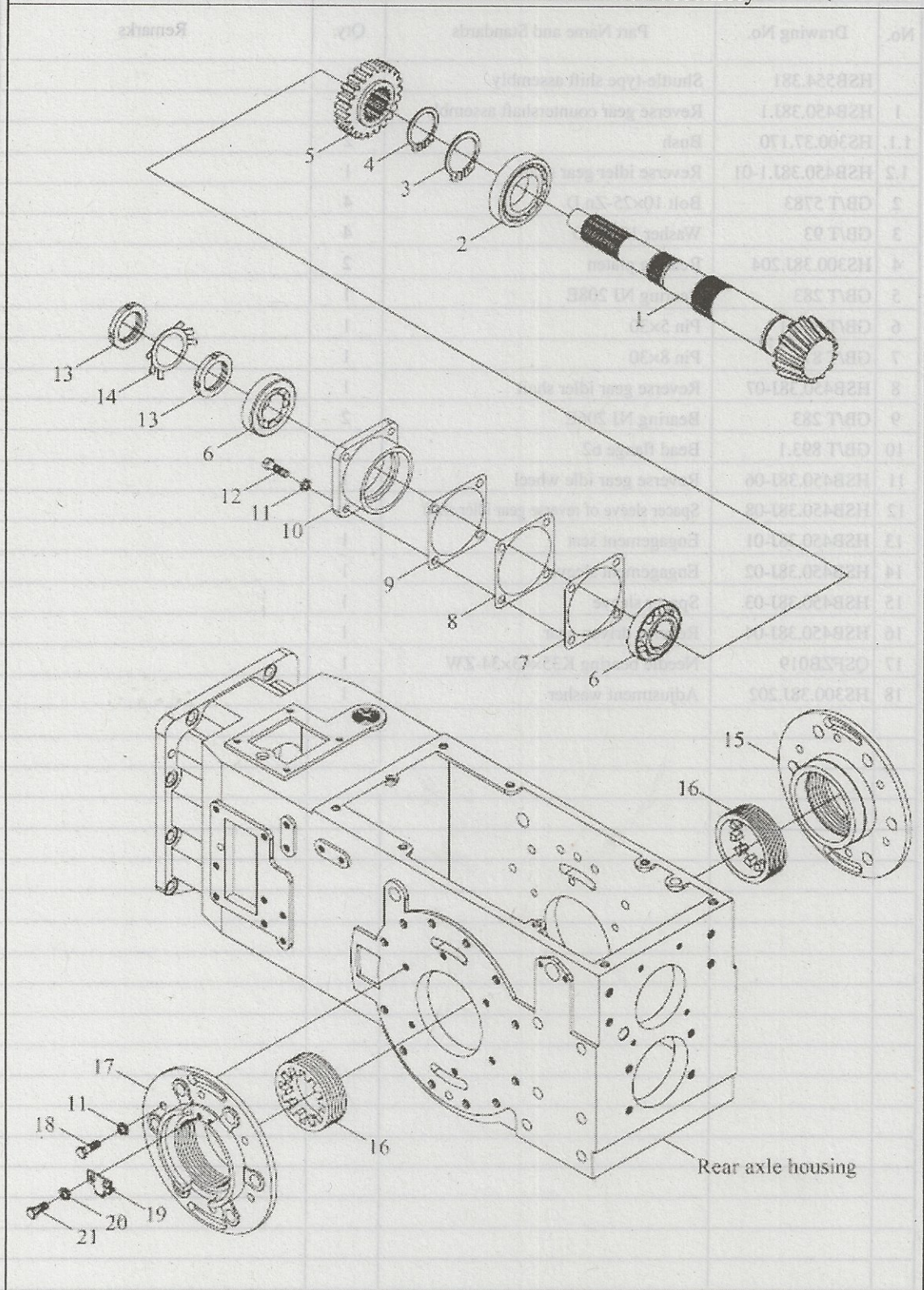


No.	Drawing No.	Part Name and Standard	Quantity	Remarks
1	HSB550.374	Operating mechanism assembly of the gearbox	1	
2	GB/T 93	Washer 10-20	2	
3	GB/T 2783	Bolt M10x50	2	
4	Q 751	Shim 14	1	
5	GB/T 308	Steel ball 8-G100-14	4	
6	HSB550.374-03a	Locating spring of shifting fork	2	
7	GB/T 879.1	High and low shift fork	2	
8	GB/T 879.1	Pin 3x24	2	
9	HSB550.374-03a	Shifting fork shaft of auxiliary	2	
10	HSB550.374-03a	Shifting block of auxiliary	2	
11	HSB550.374-01a	Middle gear shifting fork	2	
12	HSB550.374-01a	Interlock pin	2	
13	HSB550.374-02a	Middle gear shifting fork	2	
14	HSB550.374-02a	Reverse gear shifting block	2	
15	HSB550.374-02	III-IV gear shifting fork	2	
16	HSB550.374-02	III-IV gear shifting fork	2	
17	HSB550.374-02	I-II gear shifting block	2	
18	HSB550.374-01	I-II gear shifting fork	2	
19	HSB550.374-01	I-II gear shifting fork	2	

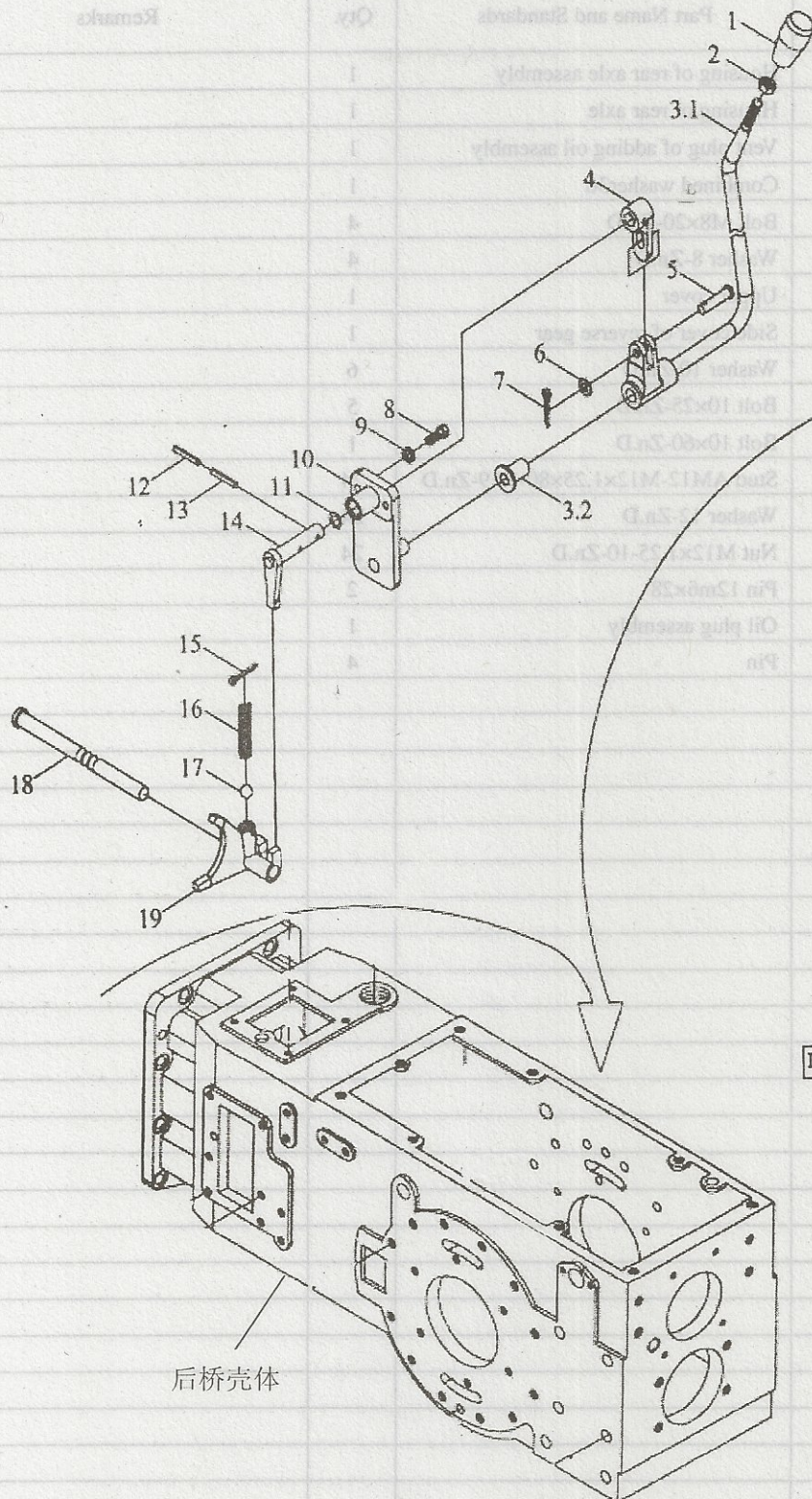
HSB554.381 梭式换档总成  
 HSB554.381 Shuttle-type shift assembly



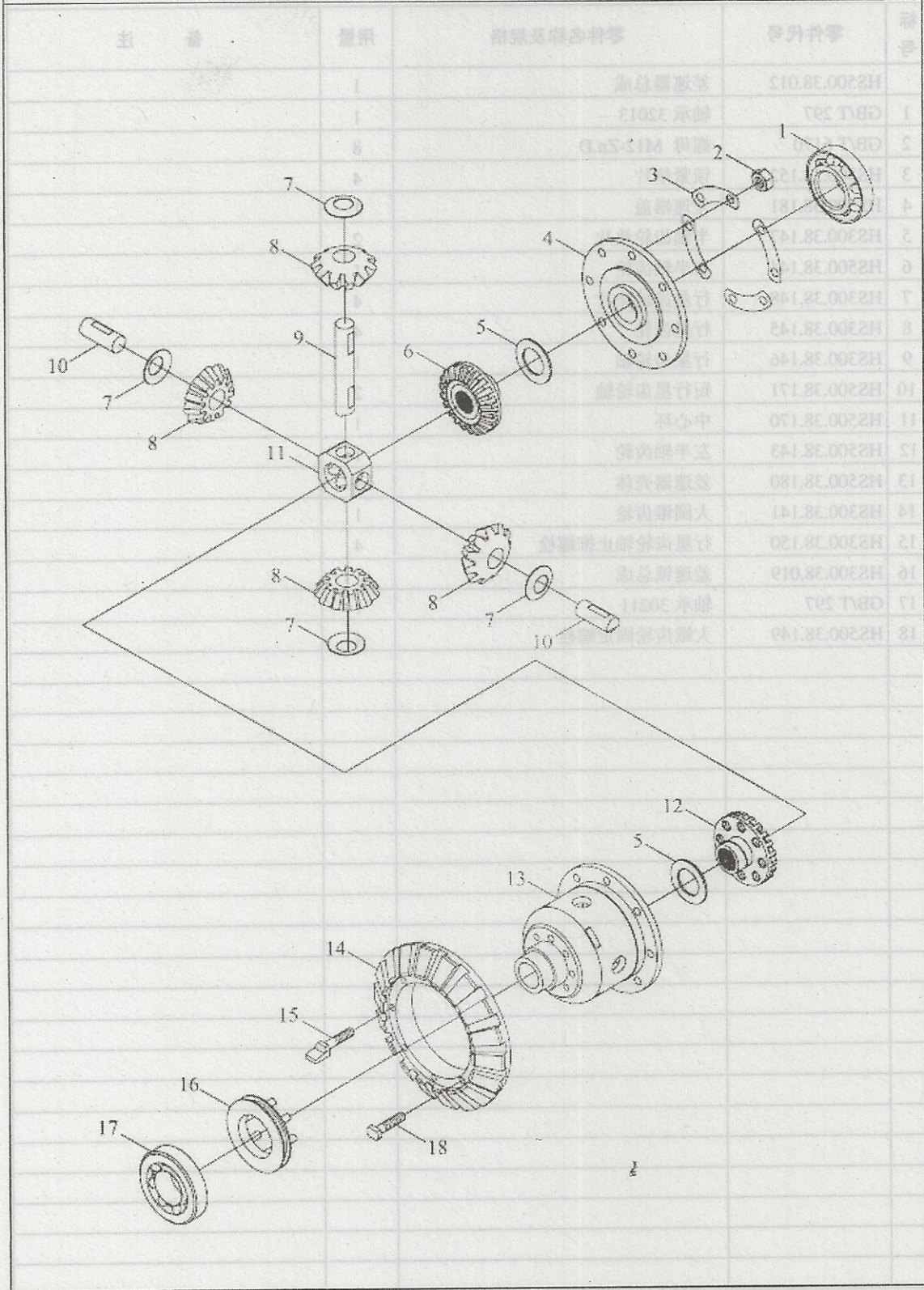
HSB554.382 后桥中央传动总成  
 HSB554.382 Rear axle middle transmission assembly



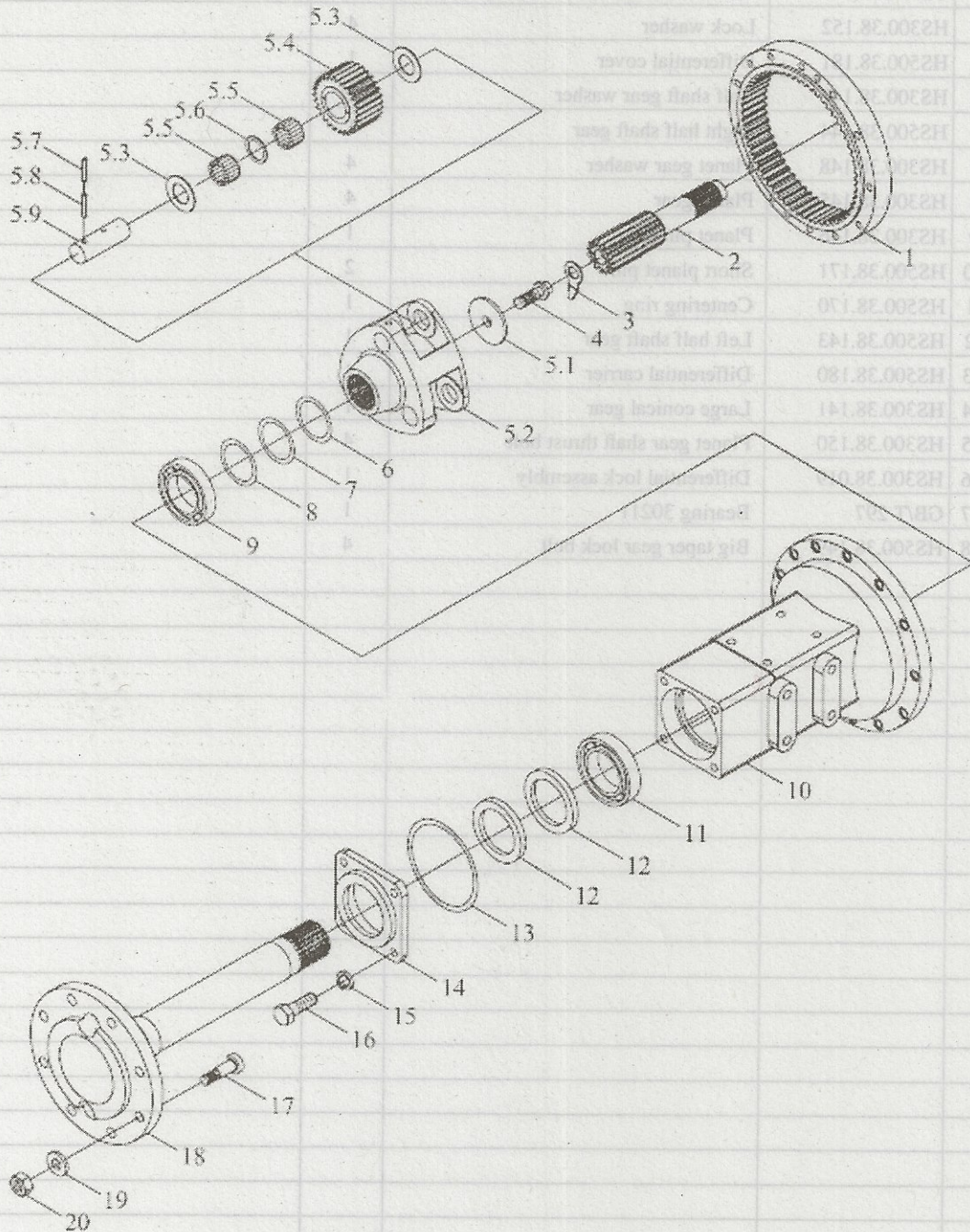
HSB554.385 梭式换档机构总成  
 HSB554.385 Shuffle-type shifting mechanism assembly



HSB554.386 差速器总成  
 HSB554.386 Differential mechanism assembly

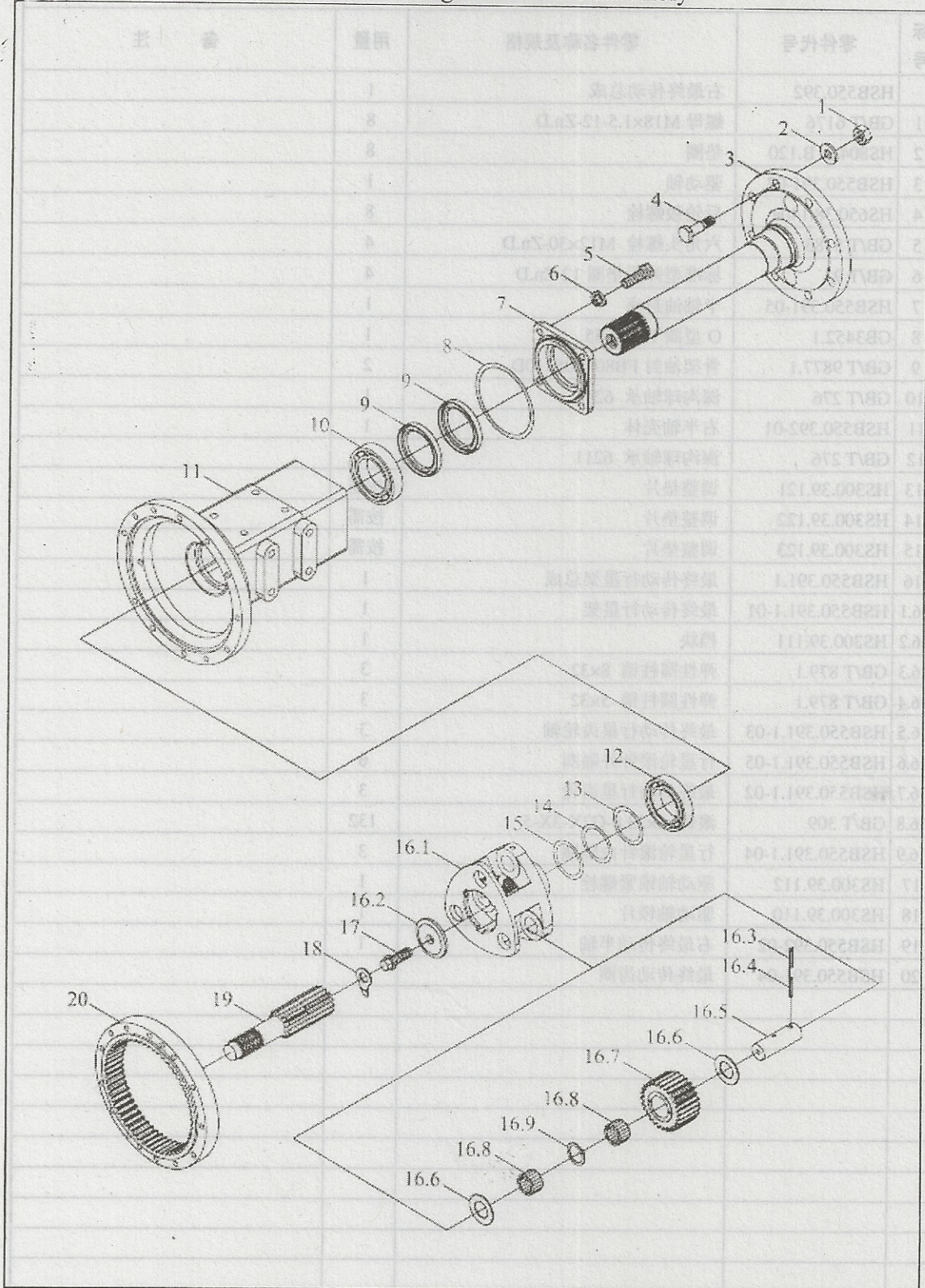


HSB550.391 左最终传动总成  
 HSB550.391 Left final drive assembly

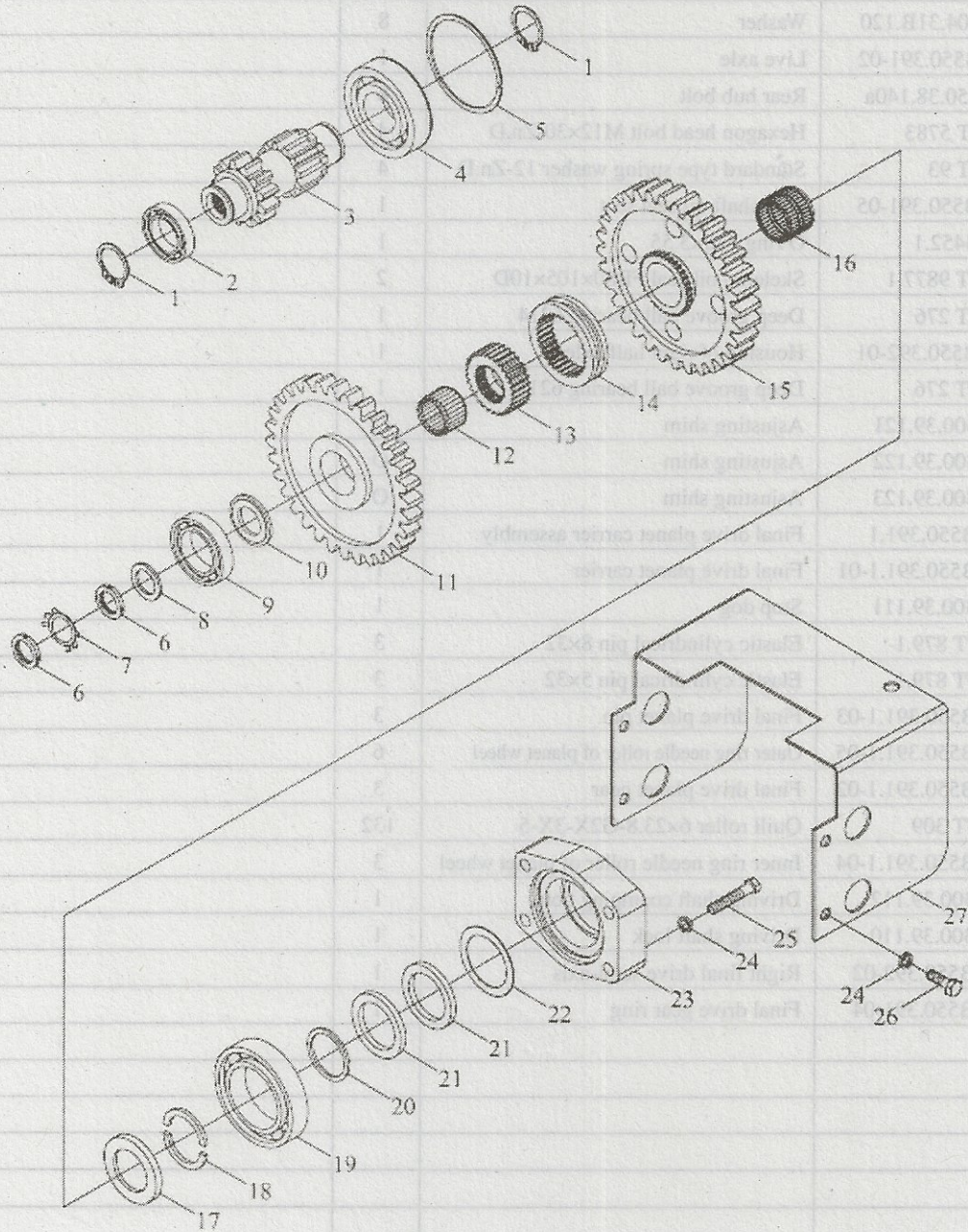




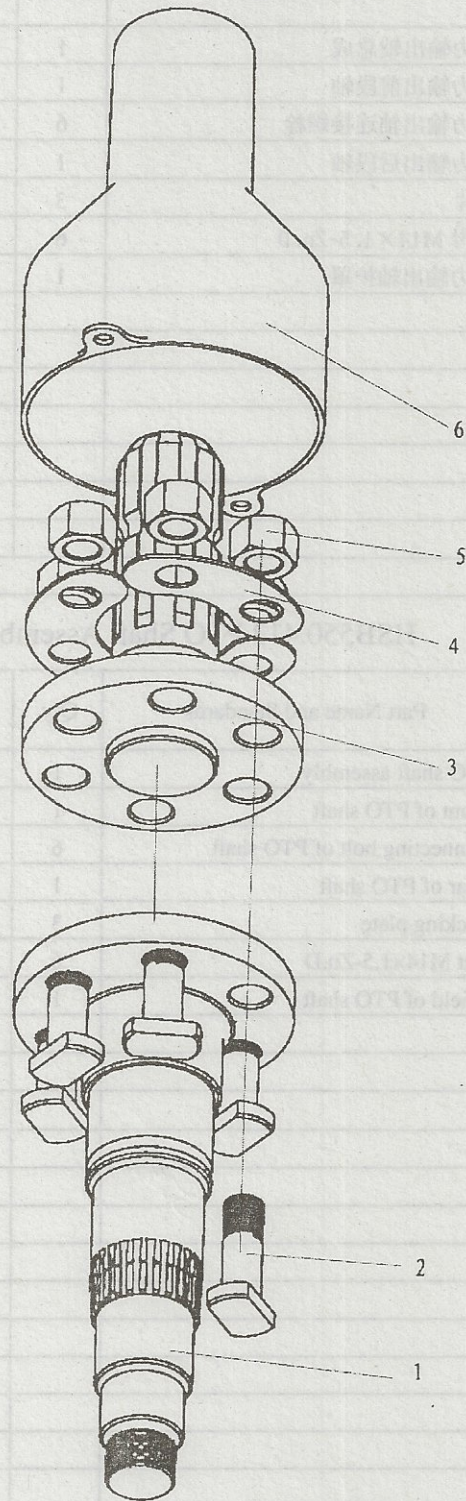
HSB550.392 右最终传动总成  
 HSB550.392 Right final drive assembly



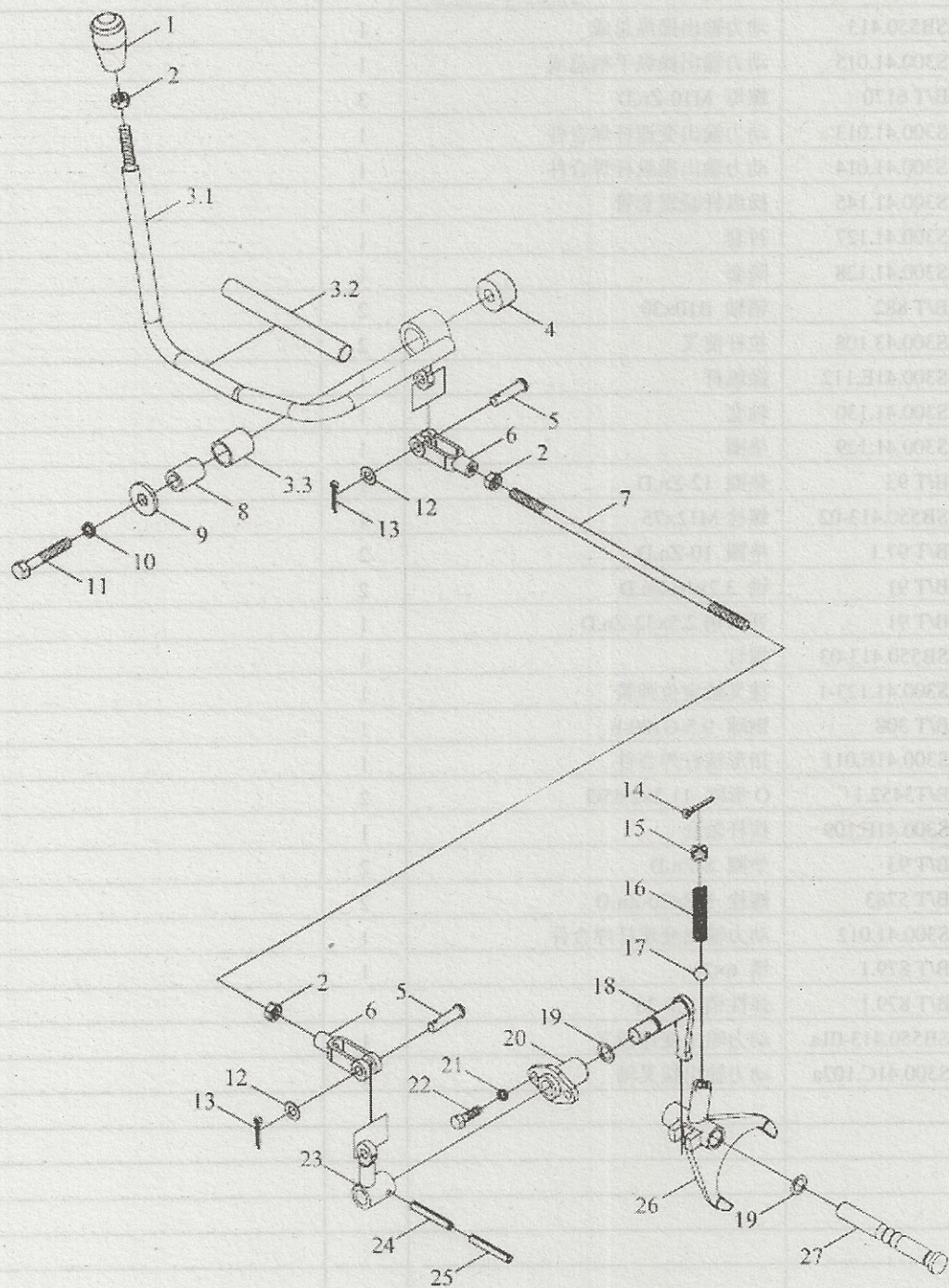
HSB550.411 动力输出总成 HSB550.411 PTO assembly



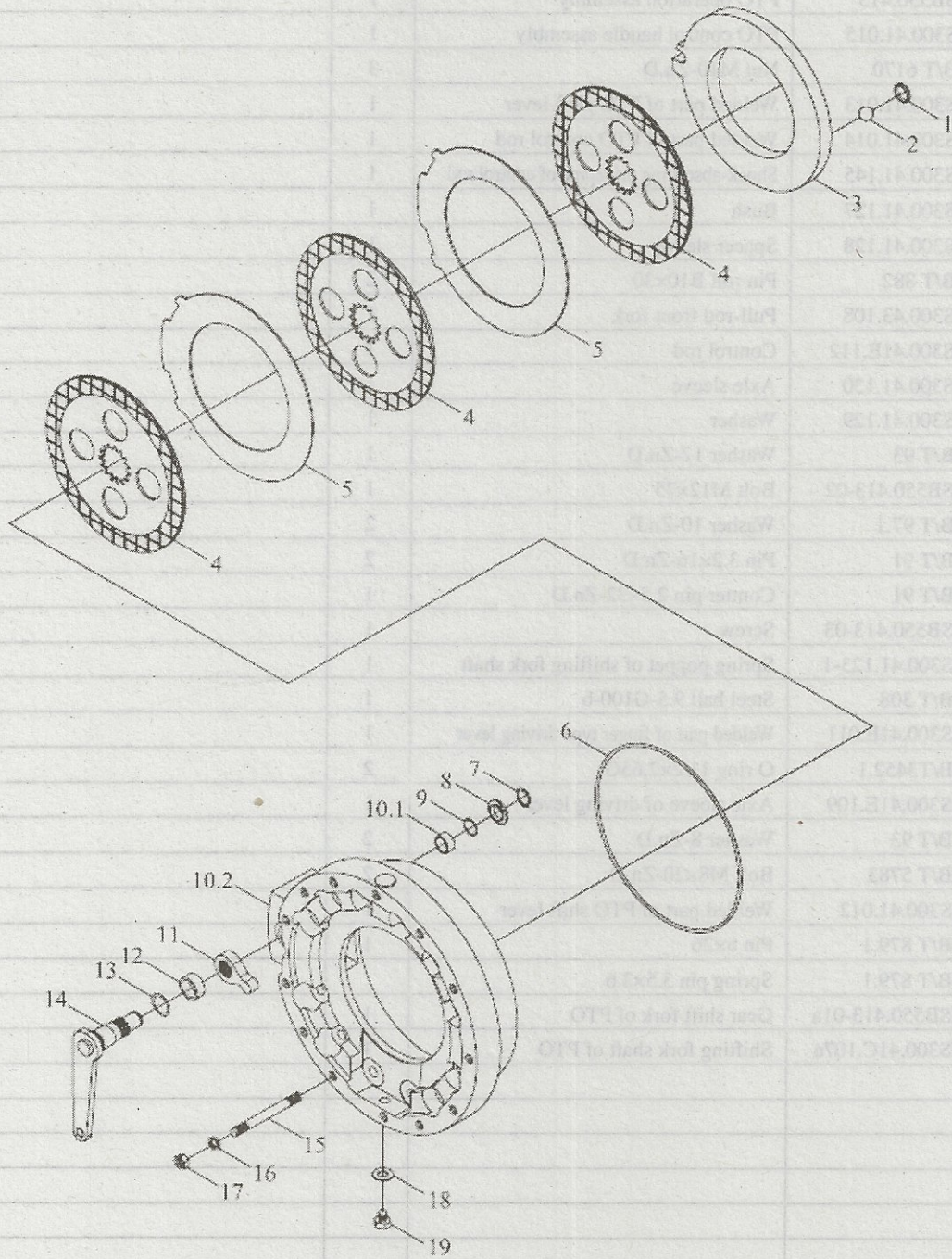
HSB550.412 动力输出轴总成 HSB550.412 PTO shaft assembly



HSB550.413 动力输出操纵总成 HSB550.413 PTO operation assembly



HSB550.431 左制动器总成 HSB550.431 Left brake assembly



HSB550.432 右制动器总成 HSB550.432 Right brake assembly

