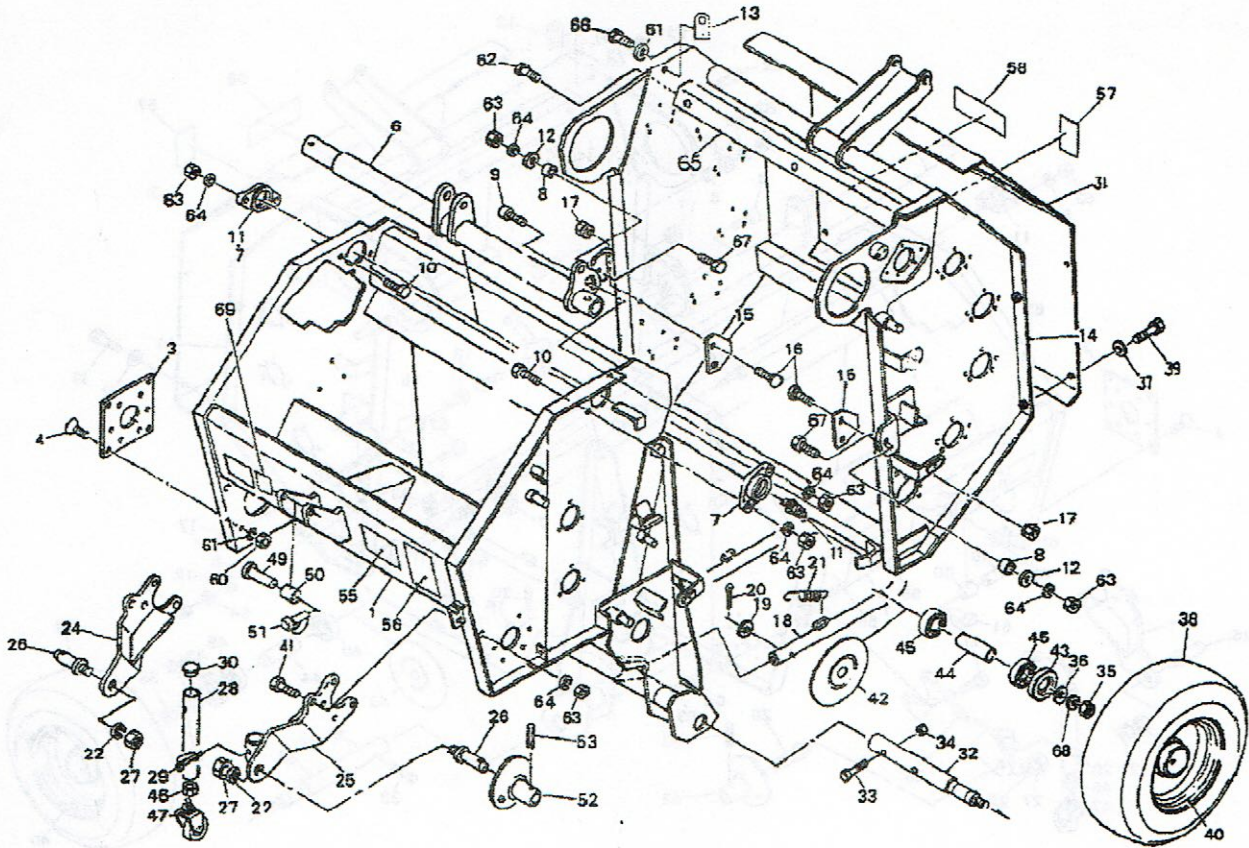


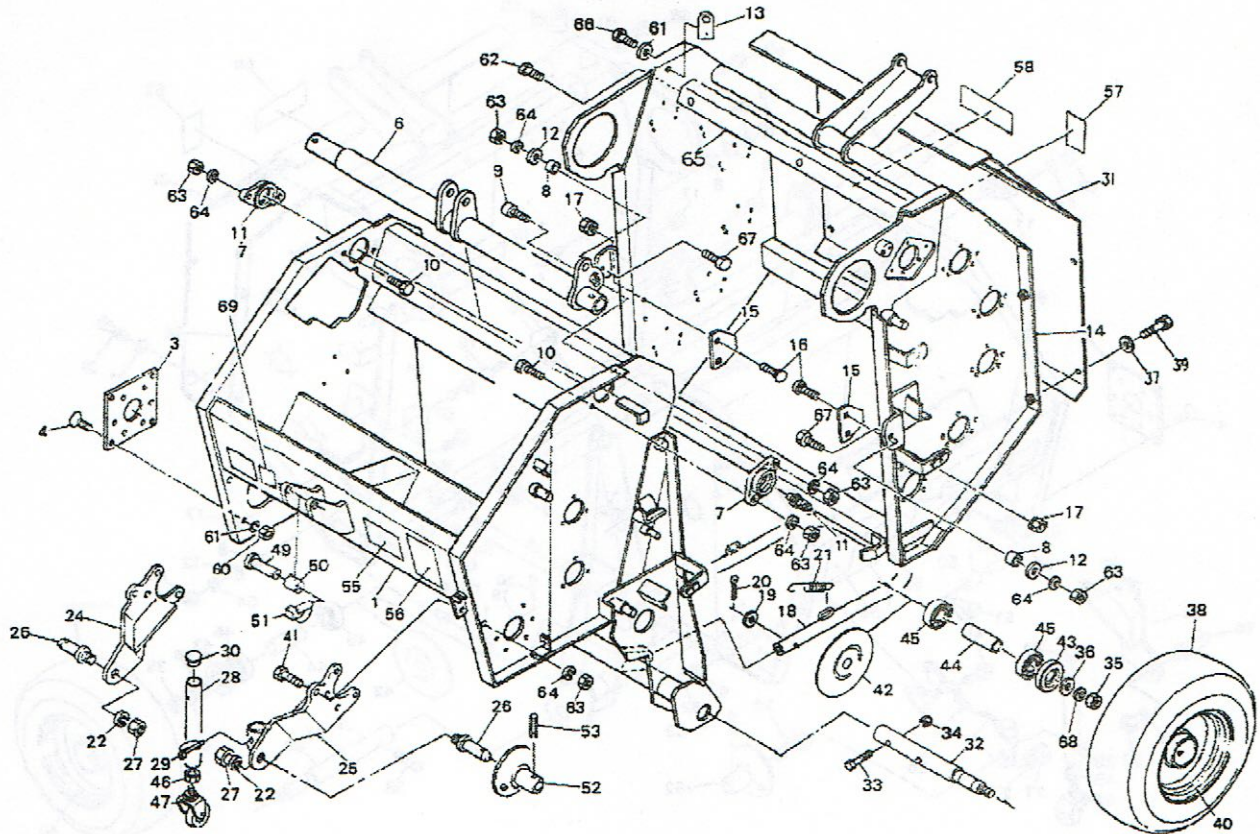
PARTS

Mini Baler BR-125

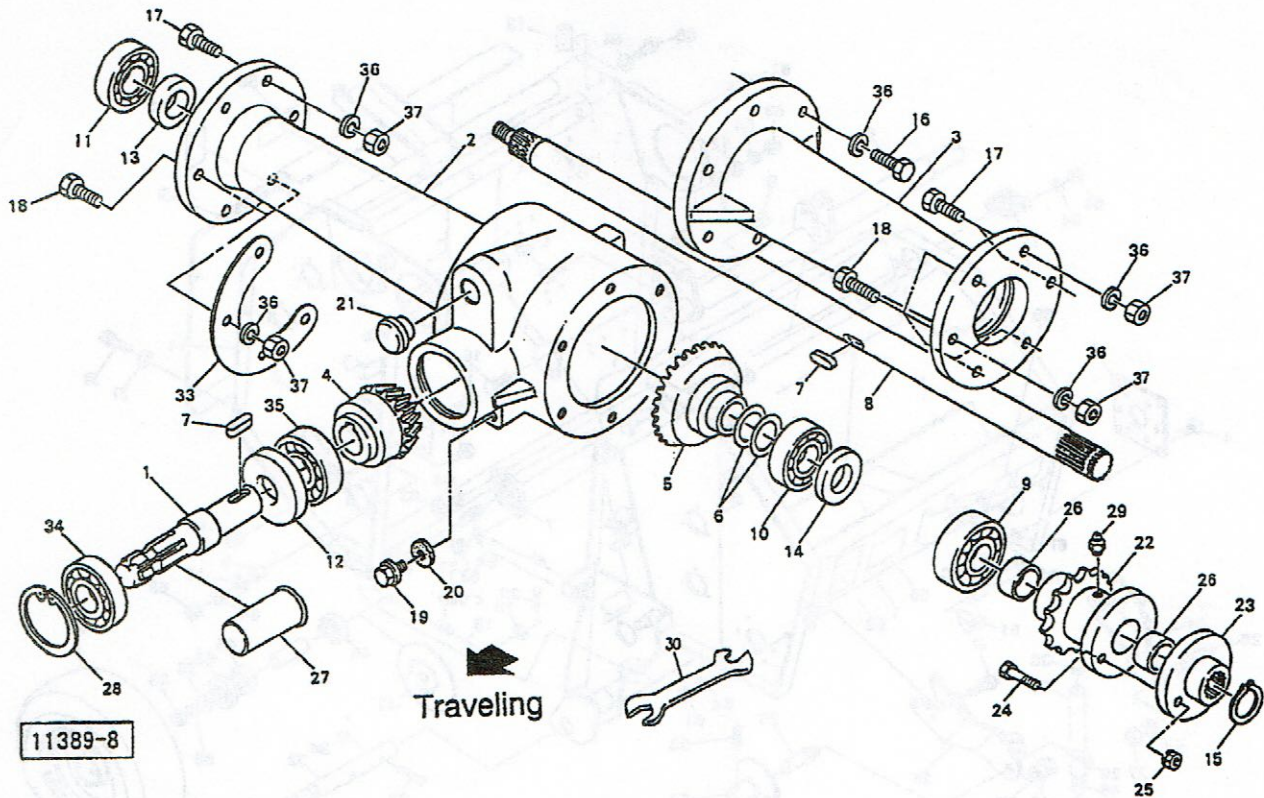




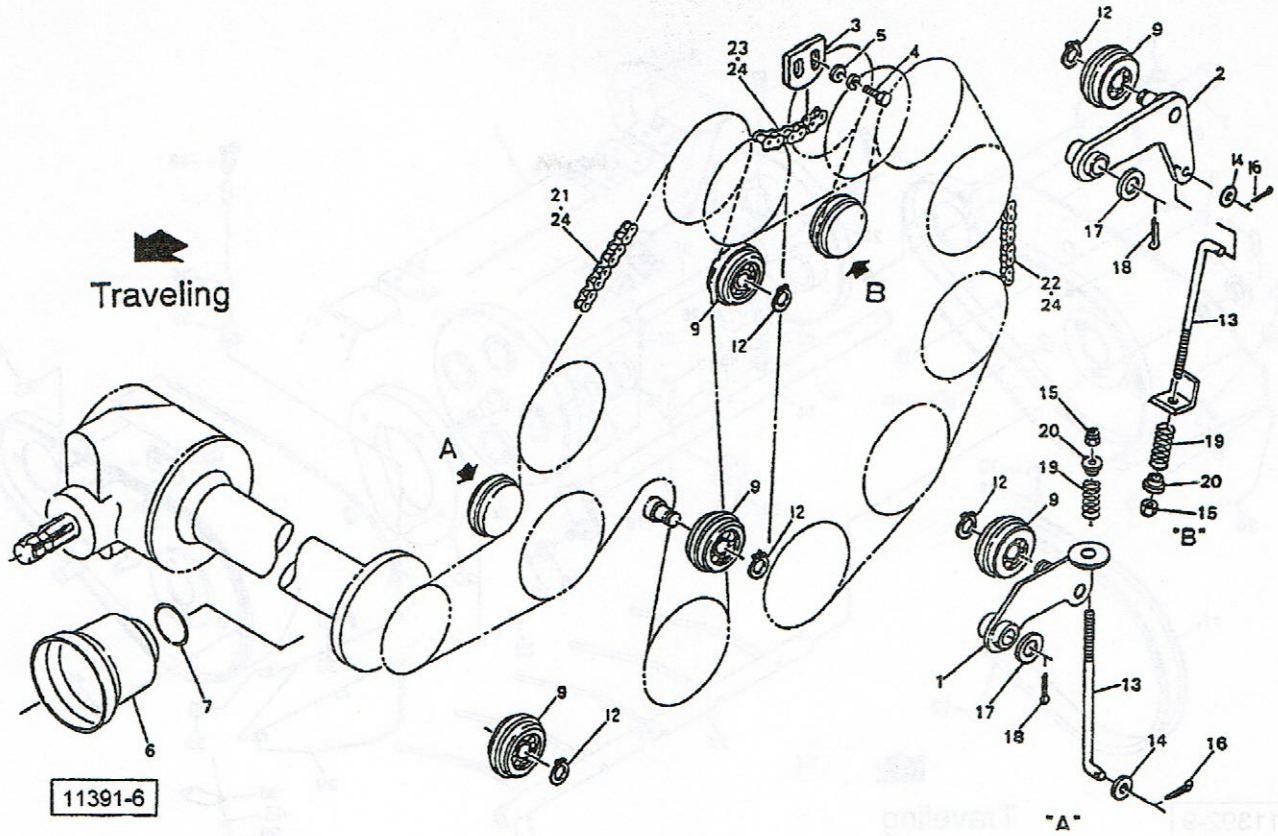
Ref. No.	Parts No.	Parts Name	Q'ty Used	Remarks
30	0008510000	Cap	1	#28.6
31	1194450003	Rear cover	1	
32	087253100M	Shaft	2	
33	BZ12070	Bolt	2	M12 x 70 (8.8)
34	NNF12	Flange nylon nut	2	M12
35	NZ14WG	Nut	2	M14 (8)
36	072968100M	Washer	2	#14
37	WRA08	Washer	9	M8
38	0812241000	Tire	2	16 x 6.50-8-4PR
39	BSPZ08016	Bolt with spring washer	9	M8 x 16 (7)
40	700513000F	Wheel	2	5.375I-8
41	BZ1255AG	Bolt	2	M12 x 55 (8.8)
42	000532000M	Cap	2	
43	000762000M	Cap	2	
44	0812260000	Collar	2	
45	J6205LLU	Bearing	4	#6205LLU
ASY	0009190000	Tire ass'y	2	16 x 6.50-8-4PR
46	NA20	Nut	1	M20 (4)
47	0857580000	Caster wheel	1	#100
49	700057000M	Up link pin	1	
51	000739000M	Lynth pin	1	9
55			1	
56	7020030000	Label: 5	1	Warning 65
57				
58	7020040000	Label: 6	1	Warning 75
59				



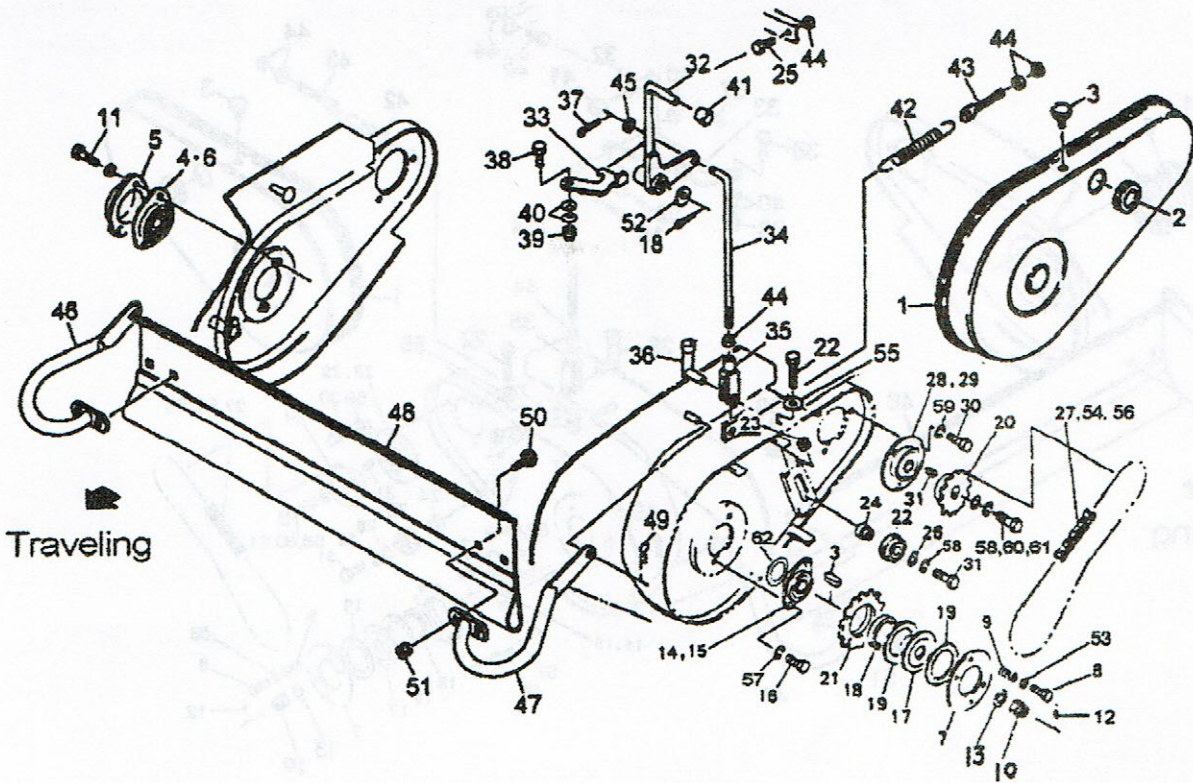
ref. No.	Parts No.	Parts Name	Q'ty Used	Remarks
1	7006780004	Frame	1	
3	079506500M	Plate	1	
4	BJ10025	Flat head bolt	4	M10 × 25 (10.9) Hexagon socket
6	1334380000	Pivot pipe	1	
7	0793823004	Housing	2	
8	079383100M	Collar	2	
9	BH12030	Cap	1	M12 × 30 (10.9)
10	BZ12030	Bolt	3	M12 × 30 (8.8)
11	0NB6	Grease nipple	2	B-M6
12	063467000M	Washer	2	12.5 × 3.2
13	122258000M	Bracket	1	
14	7005700004	Gate	1	
15	079385000M	Plate	2	
16	055032000M	Square neck bolt	4	M8 × 15
17	NSP08	Spring nut	4	M8 (4)
18	0793861004	Ejector	1	
19	WRA10	Washer	1	M10
20	PC32016	Split pin	1	3.2 × 16
21	064082000M	Spring (A)	2	
22	WS22	Spring washer	2	M22
24	1114320004	Arm (right)	1	
25	1114351004	Arm (left)	1	
26	000006200M	Lower link pin	2	0 · I with ref.No.22,27
27	NAA22150	Nut	2	M22 × 1.50 (4)
28	1114381004	Stand	1	450A
29	000453000M	Delta pin	1	#9



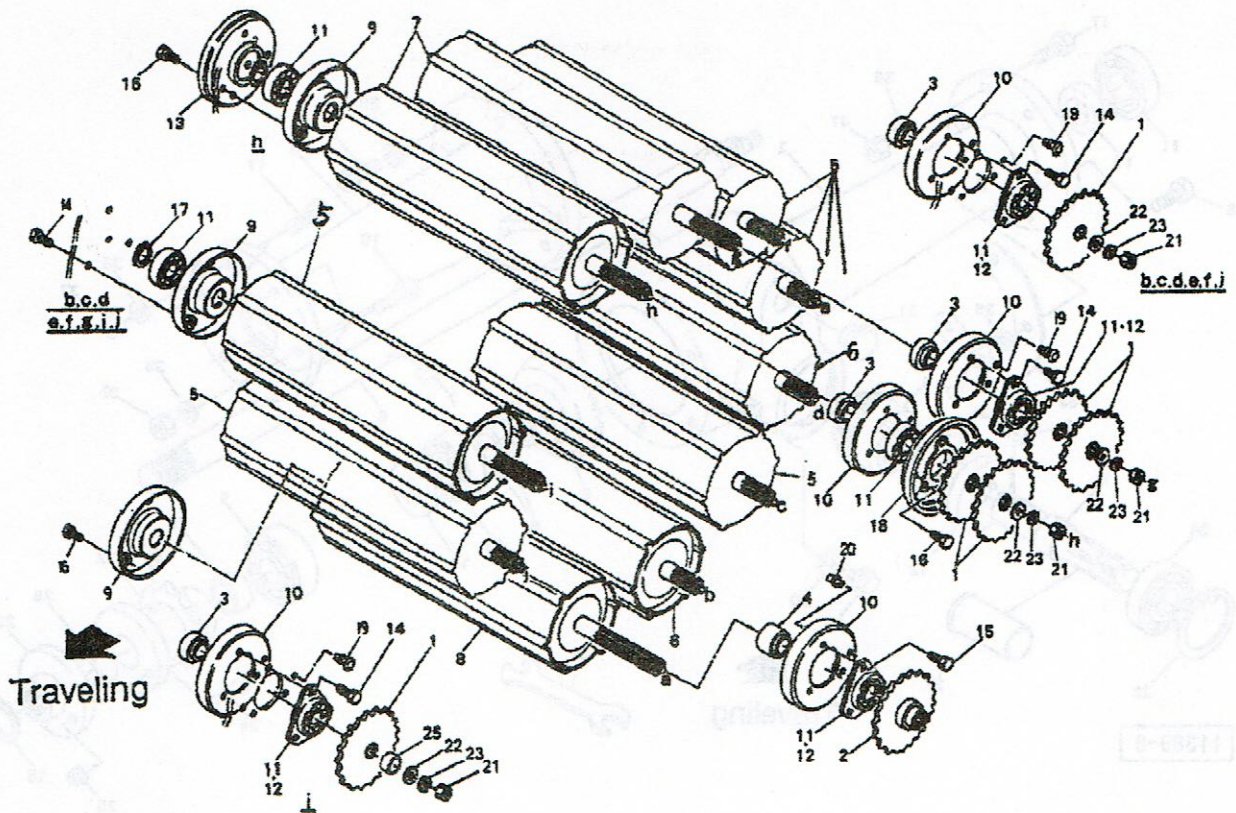
ref. No.	Parts No.	Parts Name	Q'ty Used	Remarks
1	7005870000	Shaft (PIC)	1	
2	1114530004	Gear box	1	
3	1114540004	Box frame	1	
4	0740981000	Bevel gear	1	12T
5	0740971000	Bevel gear	1	22T
6	0556990000	Shim	-	
7	KFC07070250	Key	2	7 × 7 × 25
8	1225130000	Shaft	1	
9	J6305LLU	Bearing	1	#6305-2RS
10	J6305	Bearing	1	#6305
11	J6304LLU	Bearing	1	#6304-2RS
12	D406210	Oil seal	1	D40 × 62 × 10
13	D25457	Oil seal	1	D25 × 45 × 7
14	D25528	Oil seal	1	D25 × 52 × 8
15	DC025	Snap ring	1	#25
16	BSZ10025	Bolt	6	M10 × 25 (7)
17	BSZ10035	Bolt	4	M10 × 30 (7)
18	BSZ10050	Bolt	8	M10 × 50 (7)
19	000338000M	Plug	1	M10
20	0003390000	Packing	1	
21	0007170000	Oiling cap	1	
22	0793232004	Sprocket	1	16T
23	0797931004	Holder, shear bolt	1	
24	0812320000	Shear bolt	11	M6 × 30 including 10 pieces
25	NP06	Spring nut	11	M6 including 10 pieces
26	0774471000	Nylon bush	2	



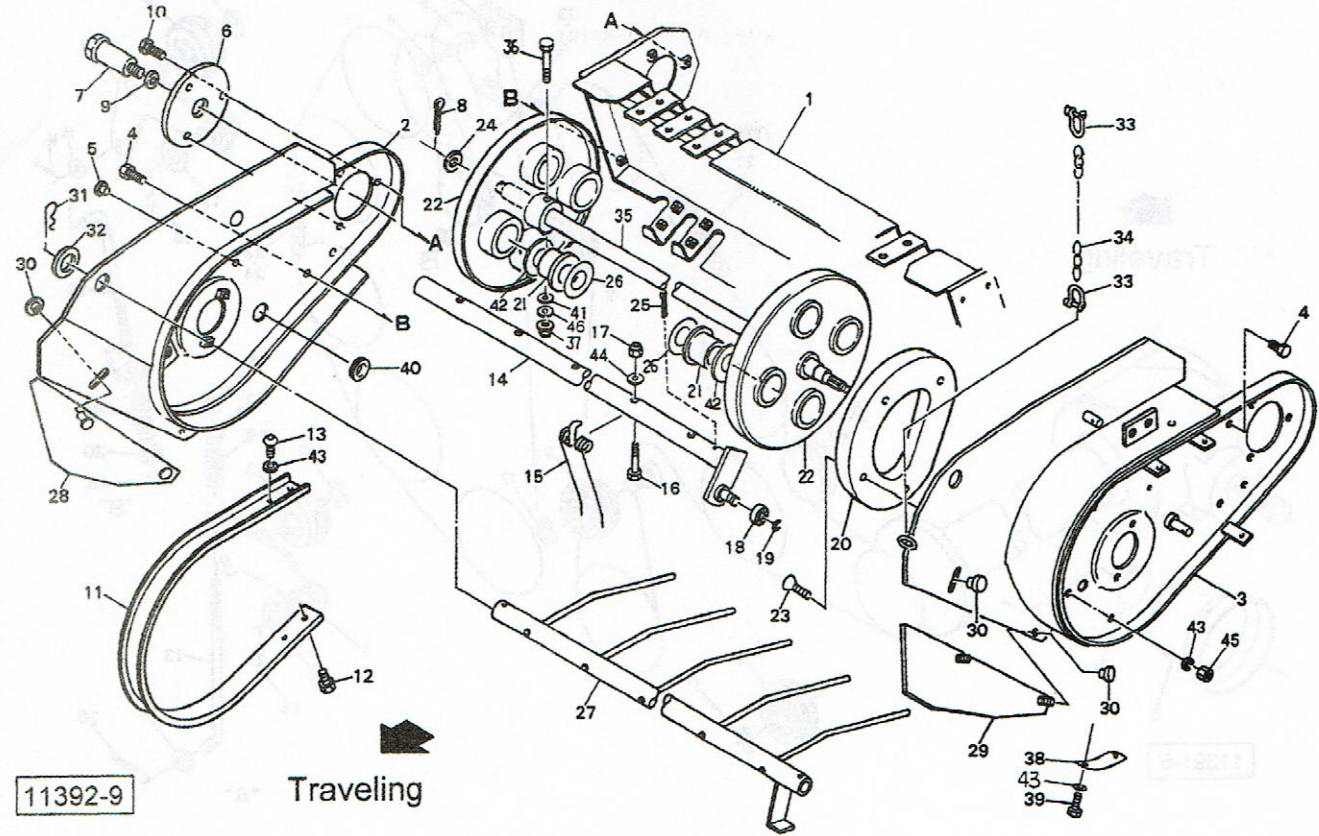
ref. No.	Parts No.	Parts Name	Q'ty Used	Remarks
1	122514000M	Tension arm (A)	1	
2	081741000M	Tension arm (B)	1	With ref. No.14,16
3	079331200M	Tension plate	1	
4	BSPZ08025	Bolt with spring washer	2	M8 × 25 (7)
5	044097200M	Washer	2	#8
6	0008230000	PIC cover (1)	1	
7	0008251000	Ring (S)	1	
9	081267000M	Tension roller	4	
12	DC017	Snap ring	4	#17
13	081742000M	Rod	2	
14	WRA10	Washer	2	M10
15	NNF10	Flange nylon nut	2	M10
16	PC032016	Split pin	2	3.2 × 16
17	079334000M	Washer	2	21 × 1.5
18	PC032032	Split pin	2	3.2 × 32
19	085350000M	Spring	2	
20	085351000M	Collar	2	
21	LASH50144	Roller chain	1	50 × 168L
22	LASH50126	Roller chain	1	50 × 146L
23	LASH50042	Roller chain	1	50 × 42L with ref. No.24
24	ASH50	Connecting link	3	#50



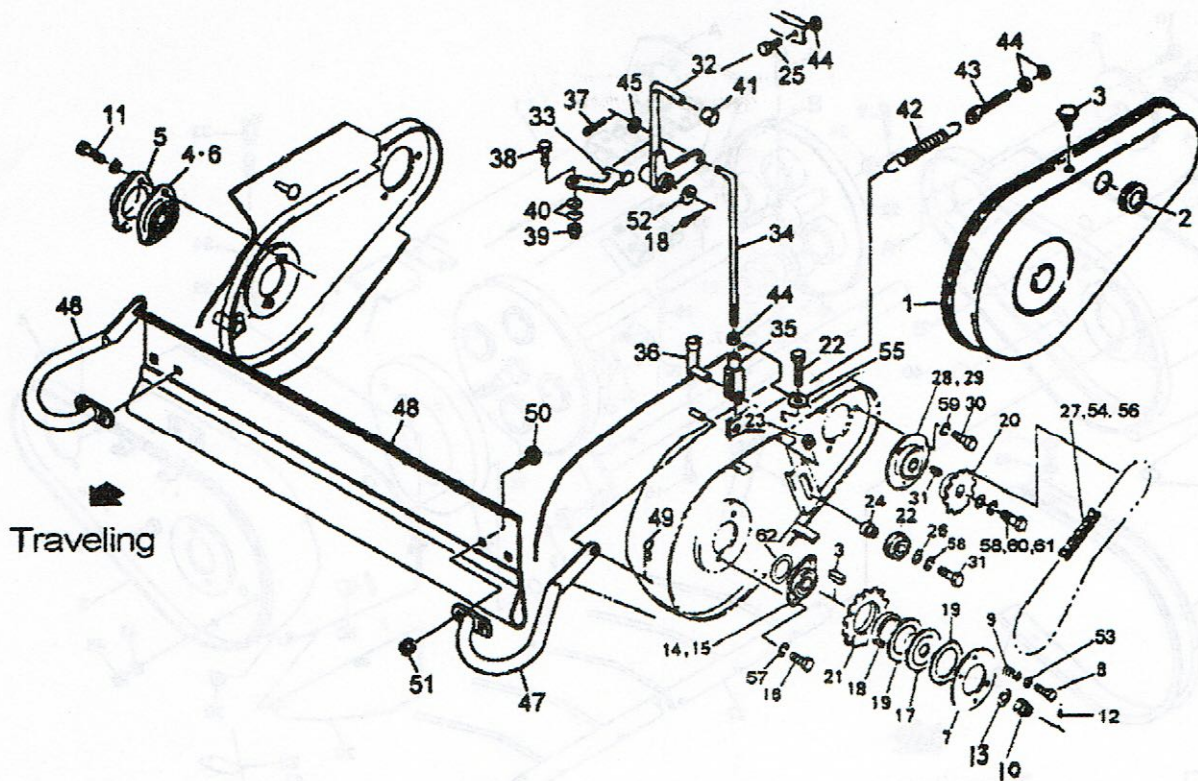
ref. No.	Parts No.	Parts Name	Q'ty Used	Remarks
1	7006630004	Pick- up cover	1	
2	0591440000	Grommet	1	
3	0006900000	Grip	3	M8 x 14
4	JCS204LLU	Unit bearing	1	#CS204LLU
5	085226100M	Flange	1	
6	JPFL204G	Bi- flange	1	PFL204
7	133456000M	Lock plate	1	
8	BSZ10065	Bolt	4	M10 x 65
9	043249201M	Spring	4	8"
10	NC2H20150	Notch nut	1	M20 x 1.5 GB9457
11	BSPZ08025	Bolt with spring washer	2	M825 (8.8)
12	PC040025	Split pin	1	4 x 25
13	046001100M	Washer	1	20
14	117957000M	Bi- flange	2	PFL205
15	JCS205LLU	Bearing	1	CS205-2RS
16	108475000M	Bolt	2	M10 x 20
17	133454000M	Boss	1	17 x 1.6
18	0709092000	Bush	1	3.2 x 32
19	0432480010	Facing plate	1	M12 (8)
20	133453000M	Sprocket	1	RS50 x 18T
21	133455000M	Sprocket	1	RS50 x 32T
22	081267000M	Tension roller	1	
23	080925000M	Nut	1	
24	082660000M	Collar	1	
25	BSZ10040	Bolt	1	M10 x 40 (8.8)



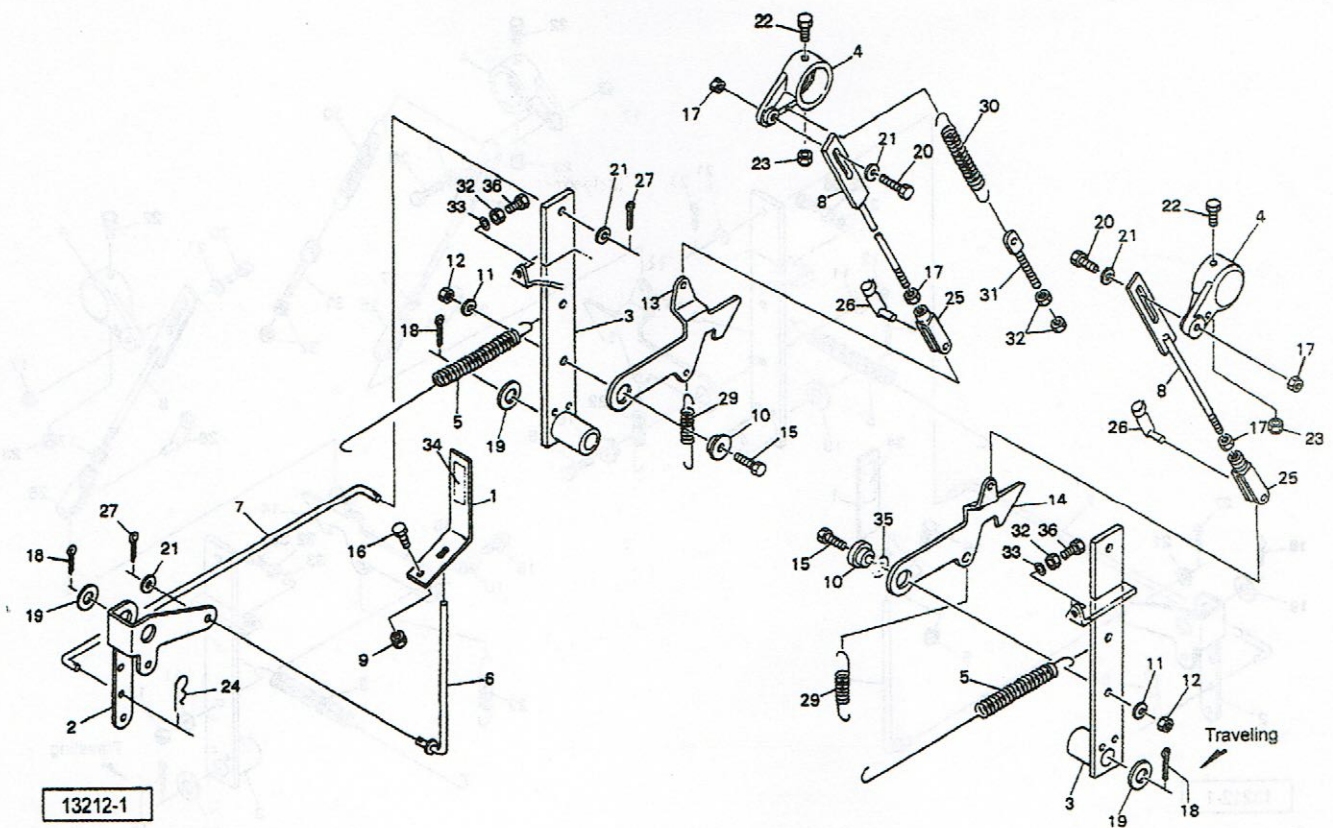
ref. No.	Parts No.	Parts Name	Q'ty Used	Remarks
1	079324300M	Sprocket	11	22T
	096757000M	Washer	10	25.5X0.6
2	079325300M	Sprocket	1	22T
3	079326200M	Collar (A)	9	
4	079327300M	Collar (B)	1	
5	0851321004	Roll (1)	5	
6	0851343004	Roll (2)	1	
7	0851351004	Roll (3)	3	
8	0851363004	Roll (4)	1	With ref. No 4
9	079507100M	Flange	10	
10	081235000M	Flange	10	
11	JCS205LLU	Bearing	20	#CS205LLU
12	055149300M	Bi-flange	18	
13	0793472004	Housing	1	
14	BSPZ08020	Bolt with spring washer	48	M8 x 20 (7)
15	BSPZ08025	Bolt with spring washer	3	M8 x 25 (7)
16	BSPZ08030	Bolt with spring washer	9	M8 x 30 (7)
17	DC025	Snap ring	10	#25
18	0793461004	Housing	1	
19	0815250000	Push rivet	18	6 x 6
20	0815260000	Push rivet	2	6 x 10
21	NZ12	Nut	9	M12 (8)
22	040608401M	Washer	9	13 x 4.5
23	WSA12	Spring washer	9	M12



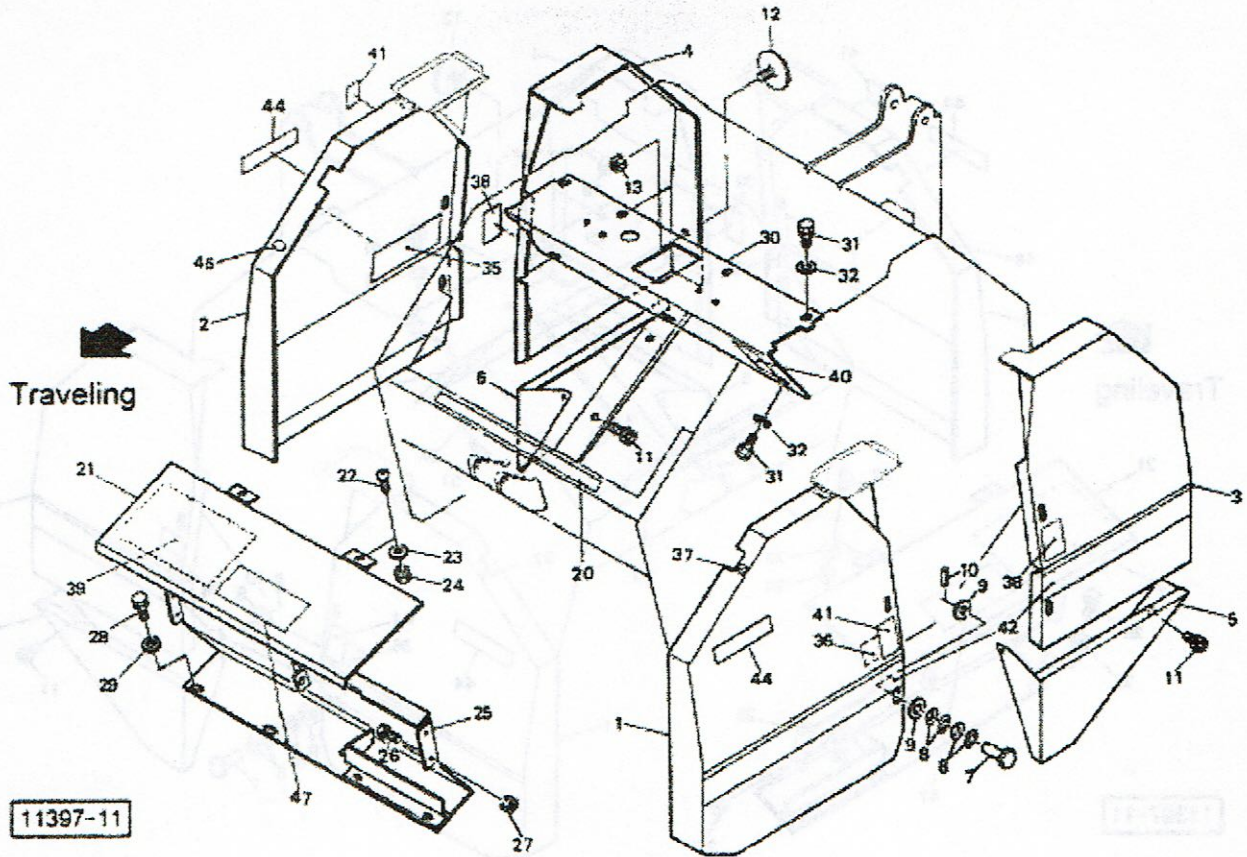
ref. No.	Parts No.	Parts Name	Q'ty Used	Remarks
1	1335650004	Pick- up frame	1	
2	1114492004	Side plate (right)	1	
3	1334510004	Side plate (left)	1	
4	BSPZ08020	Bolt with spring washer	5	M8 x 20 (7)
5	7007200000	Cap	4	#9
6	079308100M	Plate	1	
7	079307300M	Shaft	1	
8	PC050036	Split pin	1	5 x 36
9	WAS14	Spring washer	1	M14
10	BSPZ08025	Bolt with spring washer	3	M8 x 25 (7)
11	085222100M	Rotor flush	11	
12	BSPZ08020	Bolt with spring washer	22	M8 x 20 (7)
13	RBT08020	Bolt	22	M8 x 20 (10.9)
14	0852233004	Tine bar	4	
15	0852240006	Tine	24	
16	BSZ08055	Bolt	24	M8 x 55 (7)
17	NNF08	Flange nylon nut	24	M8
18	JSBX0126LLU	Unit bearing	4	#SBX0126LLU
19	DC012	Snap ring	4	#12
20	0792823004	Cam	1	
21	0640350000	Nylon bush	8	
22	0862373004	Tine plate	2	
23	BJ08020	Flat head bolt	4	M8 x 20 (10.9) Hexagon socket
24	057788100M	Shim	1	
25	PC050056	Split pin	8	5 x 56
26	065487000M	Shim	12	35 x 1.2



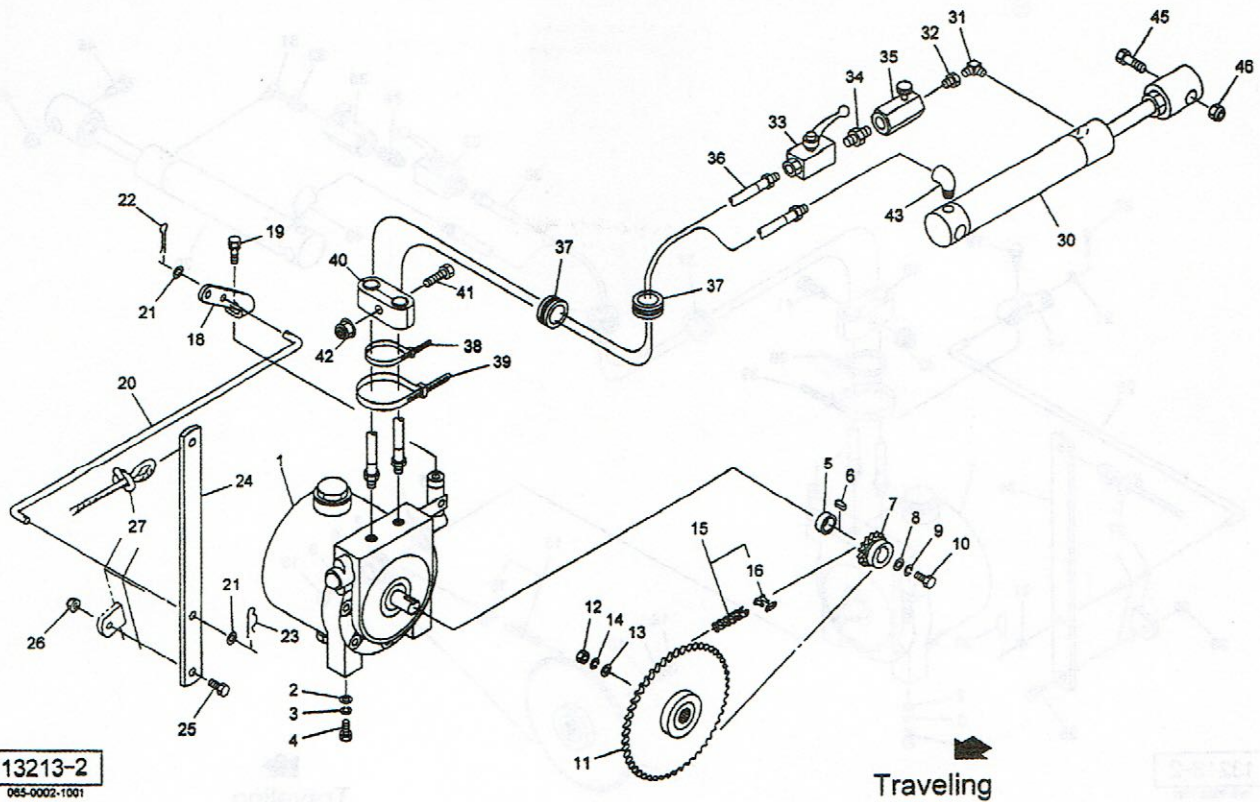
ref. No.	Parts No.	Parts Name	Q'ty Used	Remarks
1	7006630004	Pick- up cover	1	
2	0591440000	Grommet	1	
3	0006900000	Grip	3	M8 × 14
4	JCS204LLU	Unit bearing	1	#CS204LLU
5	085226100M	Flange	1	
6	JPFL204G	Bi- flange	1	PFL204
7	133456000M	Lock plate	1	
8	BSZ10065	Bolt	4	M10 × 65
9	043249201M	Spring	4	8"
10	NC2H20150	Notch nut	1	M20 × 1.5 GB9457
11	BSPZ08025	Bolt with spring washer	2	M825 (8.8)
12	PC040025	Split pin	1	4 × 25
13	046001100M	Washer	1	20
14	117957000M	Bi- flange	2	PFL205
15	JCS205LLU	Bearing	1	CS205-2RS
16	108475000M	Bolt	2	M10 × 20
17	133454000M	Boss	1	17 × 1.6
18	0709092000	Bush	1	3.2 × 32
19	0432480010	Facing plate	1	M12 (8)
20	133453000M	Sprocket	1	RS50 × 18T
21	133455000M	Sprocket	1	RS50 × 32T
22	081267000M	Tension roller	1	
23	080925000M	Nut	1	
24	082660000M	Collar	1	
25	BSZ10040	Bolt	1	M10 × 40 (8.8)



ref. No.	Parts No.	Parts Name	Q'ty Used	Remarks
1	1225190004	Plate	1	
2	122520100M	Bracket	1	
3	079364300M	Lever	2	
4	0793652004	Bracket	2	
5	079366100M	Spring (H)	2	
6	079367000M	Rod	1	With ref. No.21,27
7	079368100M	Rod	1	
8	079369000M	Release rod	2	With ref. No.17
9	NSP08	Spring nut	1	M8(4)
10	079335100M	Collar	2	
11	WSA10	Spring washer	2	M10
12	NSZ10	Nut	2	M10(8)
13	079373100M	Stopper (right)	1	
14	079374100M	Stopper (left)	1	
15	BSZ10035	Bolt	2	M10 × 35 (7)
16	BSZ08020	Bolt	1	M10 × 20 (8.8)
17	NSZ08	Nut	4	M8 (8)
18	PC032032	Split pin	3	3.2 × 32
19	079334000M	Washer	3	21 × 1.5
20	BSZ08025	Bolt	2	M8 × 25 (8.8)
21	WRA08	Washer	4	M8
22	BSZ08075	Bolt	2	M8 × 75 (8.8)
23	NNF08	Nylon nut	2	M8
24	000085200M	Snap pin	1	8 × 1.6
25	079424000M	Fork end	2	8 × 32
26	079425000M	Pin	2	8 × 32

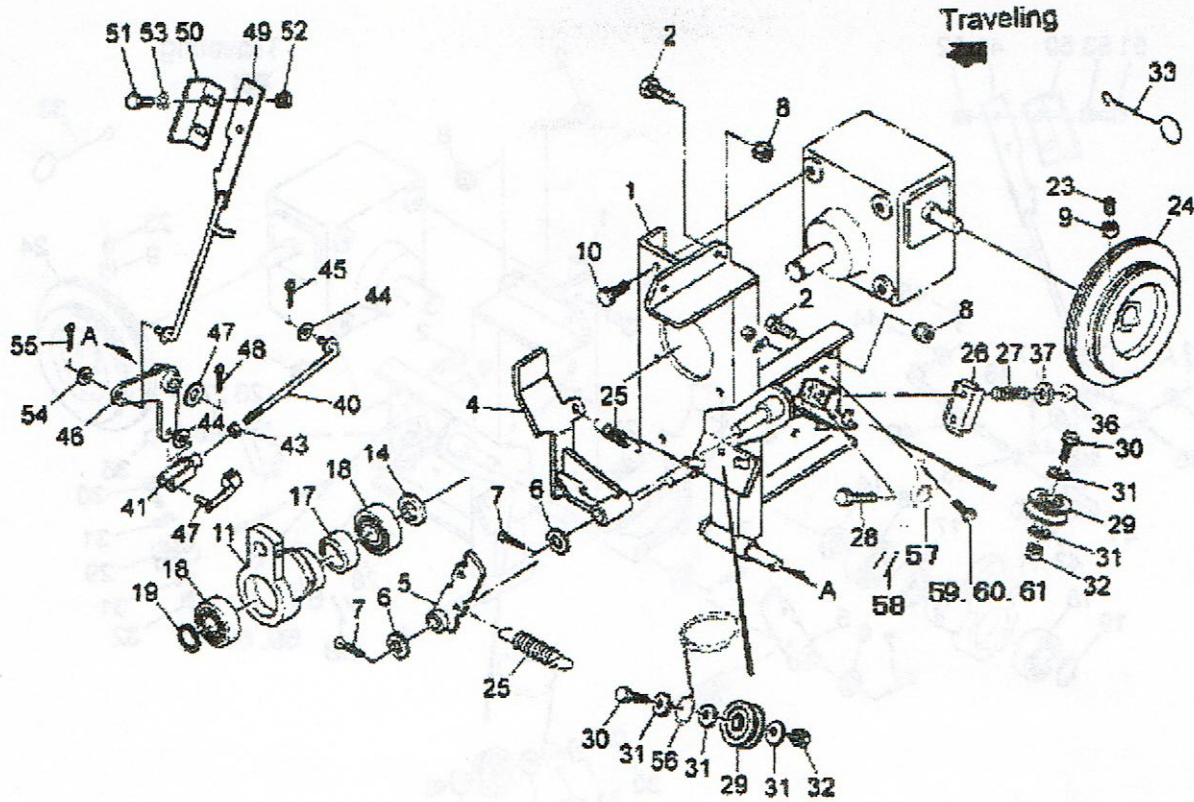


ref. No.	Parts No.	Parts Name	Q'ty Used	Remarks
1	1251290003	Cover (left)	1	
2	1251300003	Cover (right)	1	
3	1229681003	Gate cover (left)	1	
4	1229711003	Gate cover (right)	1	
5	1229780003	Gate cover (left)	1	
6	1230860003	Gate cover (right)	1	
7	0796583000	Grip	8	#50
8	079659100M	Coned disc spring	32	
9	WRA08	Washer	16	M8
10	PS040016	Spring pin	8	4×16
11	BSPZ08016	Bolt with spring washer	4	M8×16 (8.8)
12	0009311000	Reflector	2	R-80Cl With ref.No.13
13	NSP05	Spring nut	2	M5
20	0793782000	Rubber magnet	1	
21	1232600003	Twin cover	1	
22	CP06012	Cross- recessed screw	2	M6×12
23	WRA06	Washer	2	M6
24	NP06	Spring nut	2	M6
25	0794495004	Twin cover (rear)	1	
26	BSZ08020	Bolt	4	M8×20 (8.8)
27	NSP08	Spring nut	4	M8
28	BSPZ08020	Bolt with spring washer	4	M8×20 (8.8)
29	WRA08	Washer	4	M8
30	1225521003	Top cover	1	
31	BSPZ08020	Bolt with spring washer	8	M8×20 (8.8)
32	WRA08	Washer	8	M8

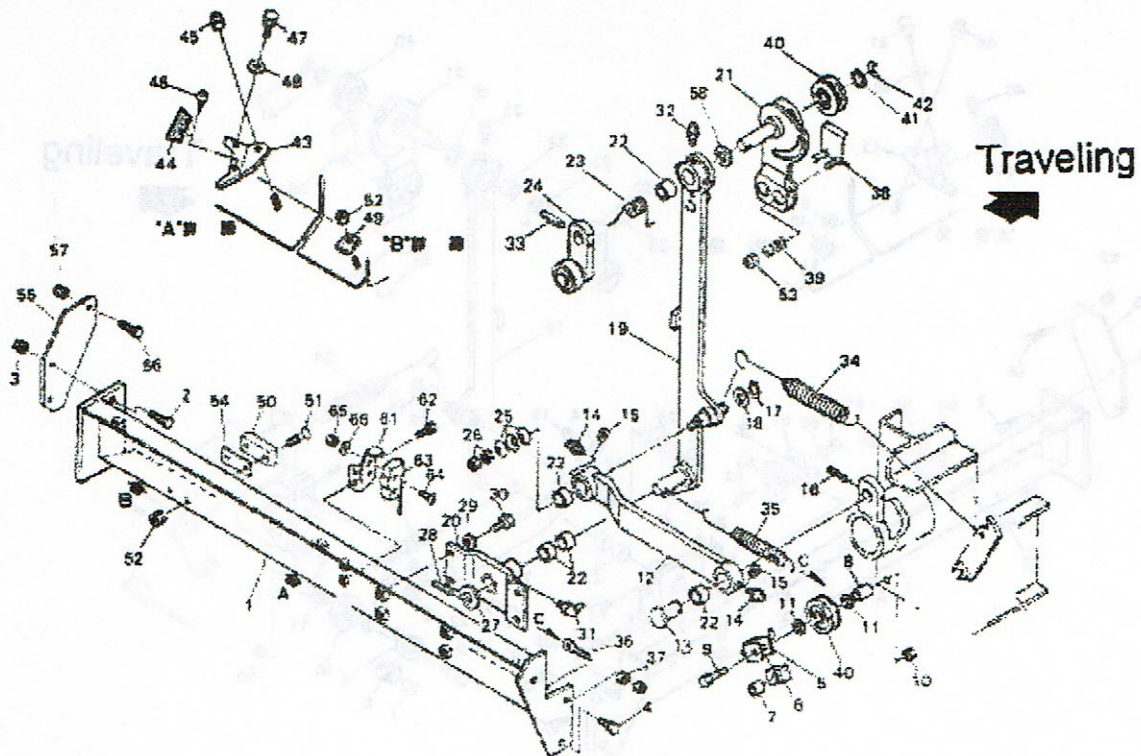


13213-2
085-0002-1001

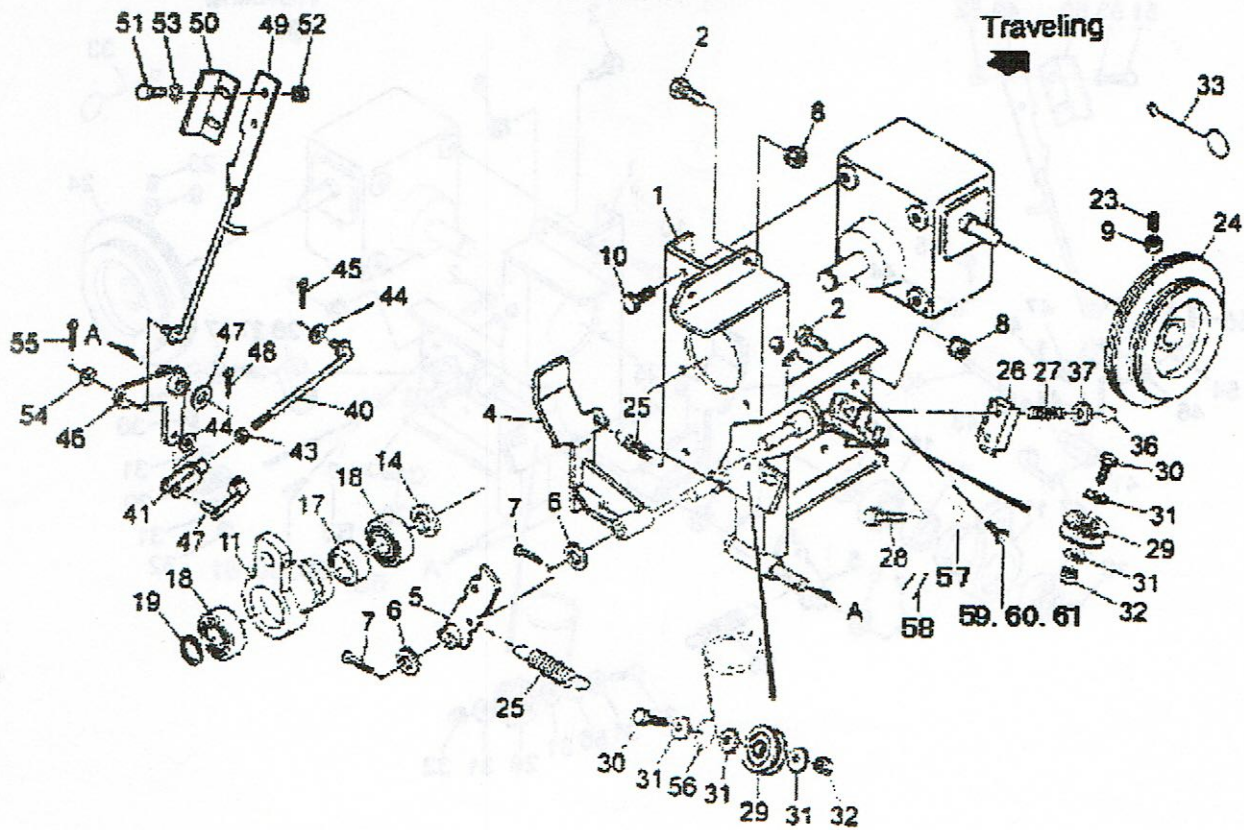
ref. No.	Parts No.	Parts Name	Q'ty Used	Remarks
1	1226130000	Power package	1	95R
2	075290100M	Washer	2	#10
3	WSA10	Spring washer	2	M10
4	BSZ10025	Bolt	2	M10 × 25 (8.8)
5	122614100M	Collar	1	14 × 6
6	KFD05050200	Key	1	5 × 5 × 20
7	122615000M	Sprocket	1	40 × 9T
8	028833200M	Washer	1	#6
9	WS06	Spring washer	1	M6
10	BZ06016	Bolt	1	M6 × 16 (8.8)
11	124868000M	Sprocket	1	40 × 43T
12	NZ12	Nut	1	M12(8)
13	040608401M	Washer	1	13 × 4.5
14	WSA12	Spring washer	1	M12
15	LA40056	Roller chain	1	40 × 56L
16	AA040	Connecting link	1	#40
18	122617100M	Lever	1	
19	BSPZ08016	Bolt	1	M8 × 16 (8.8)
20	122618000M	Rod	1	
21	WRA08	Washer	2	M8
22	PC032016	Split pin	1	3.2 × 16
23	000085200M	Snap pin	1	8 × 1.6
24	122619000M	Lever	1	
25	BSZ08025	Bolt	1	M8 × 25 (8.8)
26	NNF08	Flange nylon nut	1	M8
27	0858621000	Rope	1	



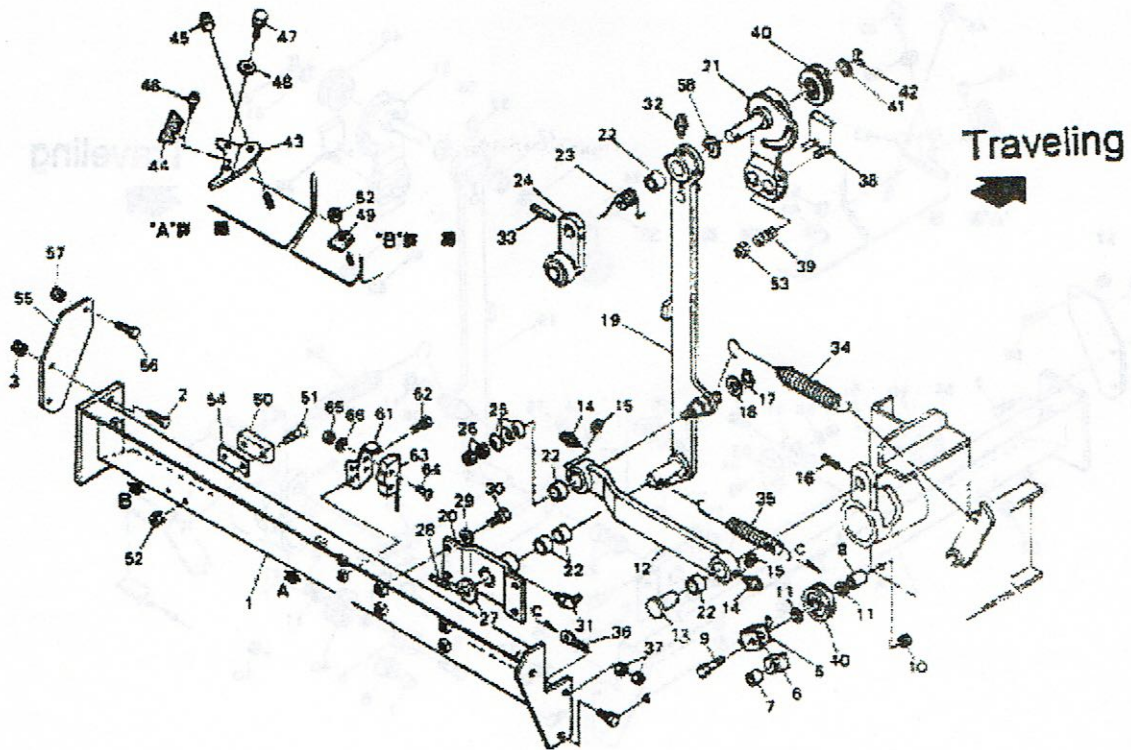
ref. No.	Parts No.	Parts Name	Q'ty Used	Remarks
1	0812277004	Binding base (1)	1	
2	BSZ08020	Bolt	6	M8 × 20 (7)
4	079471200M	Latch	1	
5	079472100M	Clutch bar	1	
6	WRA12	Washer	2	M12
7	PC032016	Split pin	2	3.2 × 16
8	NSP08	Spring nut	6	M8 (4)
9	NSZ08	Nut	1	M8 (8)
10	BSPZ08020	Bolt with spring washer	4	M8 × 20 (7)
11	0809760004	Arm	1	
14	081222000M	Collar	1	
17	JHF2520	One-way clutch	1	HF2520
18	J6005LLU	Bearing	2	#6005LLU
19	DC025	Snap ring	1	#25
23	TRK08020	Set screw	1	M8 × 20 (10.9)
24	1019510000	Twine pulley	1	
25	077412000M	Spring (H)	2	
26	079495000M	Tension plate	1	
27	013290101M	Spring	2	
28	BZ06050	Bolt	2	M6 × 50 (8.8)
29	079496100M	Guide roll	2	
30	BSZ08030	Bolt	2	M8 × 30 (7)
31	WRA08	Washer	4	M8
32	NSP08	Spring nut	2	M8 (4)
33	079469100M	Twine threader	1	
36	NNF06	Nylon nut	2	M6



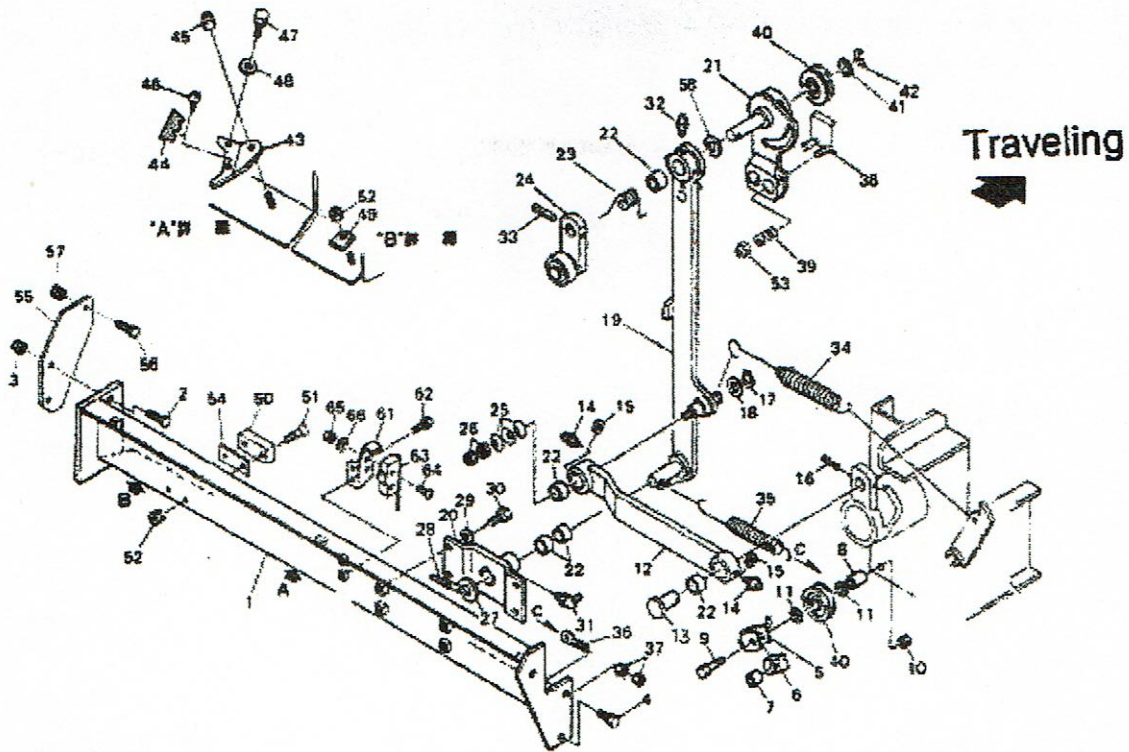
ref. No.	Parts No.	Parts Name	Q'ty Used	Remarks
27	061847000M	Washer	1	17 × 1.5
28	PS050032	Spring pin	1	5 × 32
29	044097200M	Washer	4	#8
30	BSPZ08020	Bolt with spring washer	4	M8 × 20 (8.8)
31	ONB6	Grease nipple	1	B-M6
32	ONA6	Grease nipple	1	A-M6
33	PS060036	Spring pin	1	6 × 36
34	080893000M	Spring (H)	1	
35	0794892006	Spring (H)	1	
36	080103100M	Bolt	1	M8
37	NSZ08	Nut	2	M8(8)
38	120098000M	Tension plate	1	
39	077377100M	Spring (A)	1	
40	079496100M	Guide roll	2	
41	WRA08	Washer	1	M8
42	DE005	Snap ring	1	#5
43	079497100M	Knife plate	1	
44	1020460000	Knife	1	
45	NNF08	Flange nylon nut	1	M8
46	TPA03006	Tapping screw	1	A 3 × 6
47	BSPZ08020	Bolt with spring washer	1	M8 × 20 (8.8)
48	WRA08	Washer	1	M8
49	0794981000	Cushion rubber	1	
50	1200990000	Resin plate	1	
51	BJ08035	Flat head bolt	2	M8 × 35(10.9) Cross socket
52	NNF08	Flange nylon nut	3	M8



ref. No.	Parts No.	Parts Name	Q'ty Used	Remarks
37	WRA06	Washer	2	M6
40	105411000M	Rod	1	
41	079424000M	Fork end	1	8 × 32
42	079425000M	Pin	1	8 × 32
43	NSZ08	Nut	1	M8 (8)
44	WRA08	Washer	2	M8
45	PC032016	Split pin	1	3.2 × 16
46	079371300M	Link	1	
47	WRA12	Washer	1	M12
48	PC032016	Split pin	1	3.2 × 16
49	079372100M	Control bar	1	
50	079500100M	Angle	1	
51	BZ06020	Bolt	2	M6 × 20 (8.8)
52	NP06	Spring nut	2	M6
53	WRA06	Washer	2	M6
54	WRA08	Washer	1	M8
55	PC032016	Split pin	1	3.2 × 16
56	126418000M	Twine guide	1	
57	7001470000	Buzzer	1	
58	7001490000	Power line	1	
59	BZ06020	Bolt	1	M6 × 20 (8.8)
60	NZ06	Nut	1	M6
61	WSA06	Spring washer	1	M6



ref. No.	Parts No.	Parts Name	Q'ty Used	Remarks
1	1200800004	Binding base (2)	1	
2	BSZ08020	Bolt	2	M8×20 (8.8)
3	NSP08	Spring nut	2	M8 (4)
4	BSPZ08020	Bolt with spring washer	2	M8×20 (8.8)
5	079473300M	Cushion base	1	
6	0794741000	Cushion rubber	1	
7	079475100M	Collar	1	
8	079466200M	Collar	1	
9	BSZ08080	Bolt	1	M8×80 (8.8)
10	NSP08	Spring nut	1	M8 (4)
11	WRA08	Washer	2	M8
12	079483400M	Crank bar	1	
13	079484400M	Pin	1	
14	ONA6	Grease nipple	2	A-M6
15	WRA06	Washer	2	M6
16	PS060036	Spring pin	1	6×36
17	DC015	Snap ring	1	#15
18	061847000M	Washer	1	17×1.6
19	120085000M	Arm (1)	1	
20	080102700M	Arm support	1	
21	120090000M	Arm (2)	1	
22	0774093000	Bush	5	
23	120094000M	Spring	1	
24	120095000M	Arm (3)	1	
25	079659100M	Coned disc spring	3	
26	NSZ08	Nut	2	M8 (8)



ref. No.	Parts No.	Parts Name	Q'ty Used	Remarks
53	NNF06	Flange nylon nut	1	M6
54	122289000M	Shim	1	
55	1225480004	Spacer	1	
56	BSZ08016	Bolt	1	M8×16 (8.8)
57	NSP08	Spring nut	1	M8 (8)
58	WRA16	Washer	1	M16
61	080104300M	Angle	1	
62	BSPZ08020	Bolt with spring washer	1	M8×20 (8.8)
63	0801051000	Switch	1	
64	CP04030	Cross- recessed screw	2	M4×30
65	NP04	Spring nut	2	M4
66	WRA04	Washer	2	M4
67	7001480000	Cable	1	
68	7001470000	Cable	1	
69	7000230000	Buzzer	1	
70	BZ06020	Bolt	2	M6×20 (8.8)
71	WSA06	Washer	2	M6
72	NZ06	nut	2	M6
73	0801070000	Cable clamp	1	
	7001490000	Power cable	1	