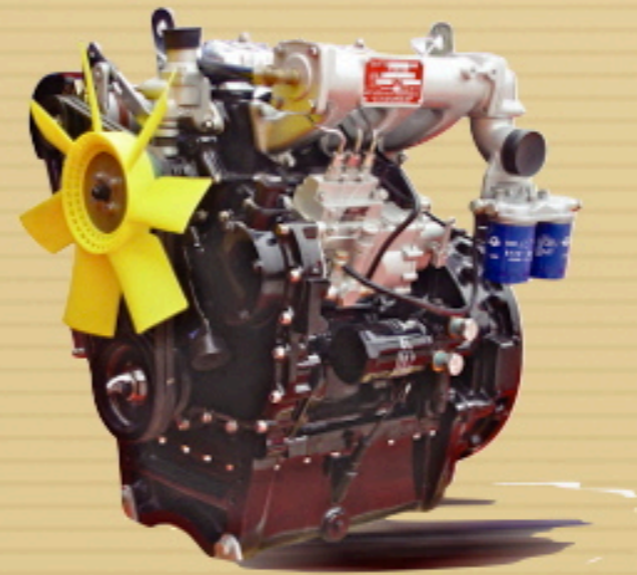


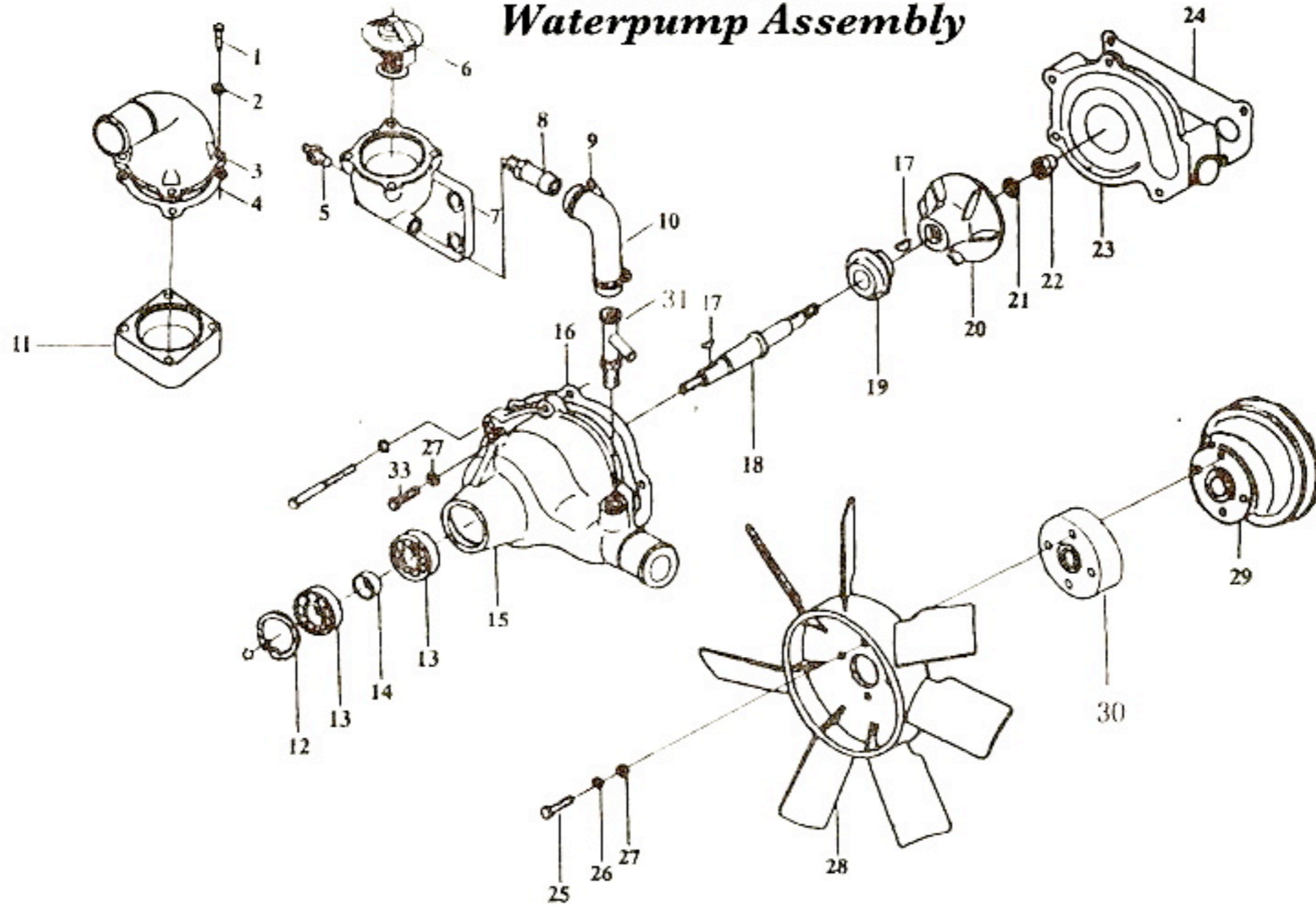
PARTS

390



Engine

Thermostat- Waterpump Assembly



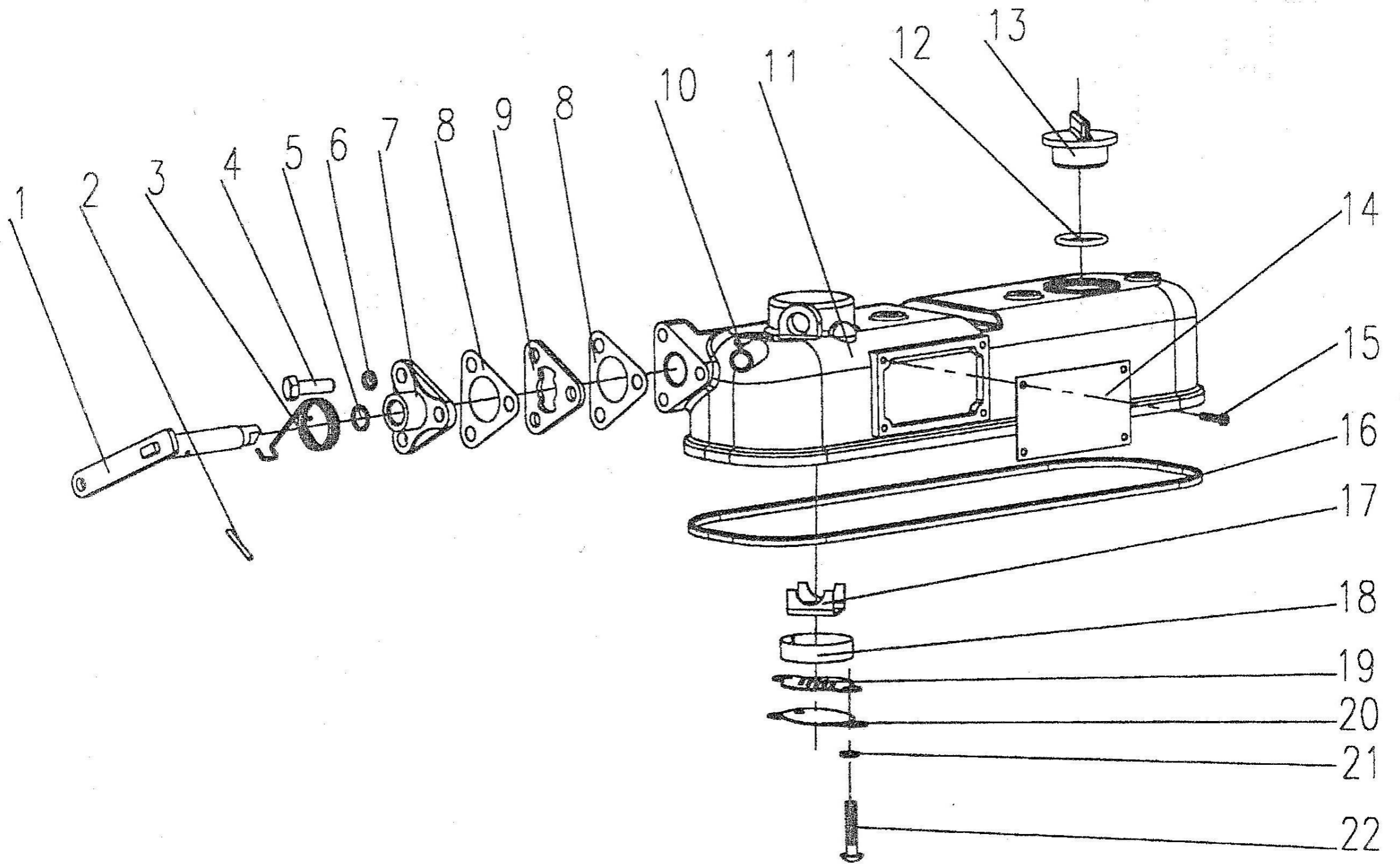
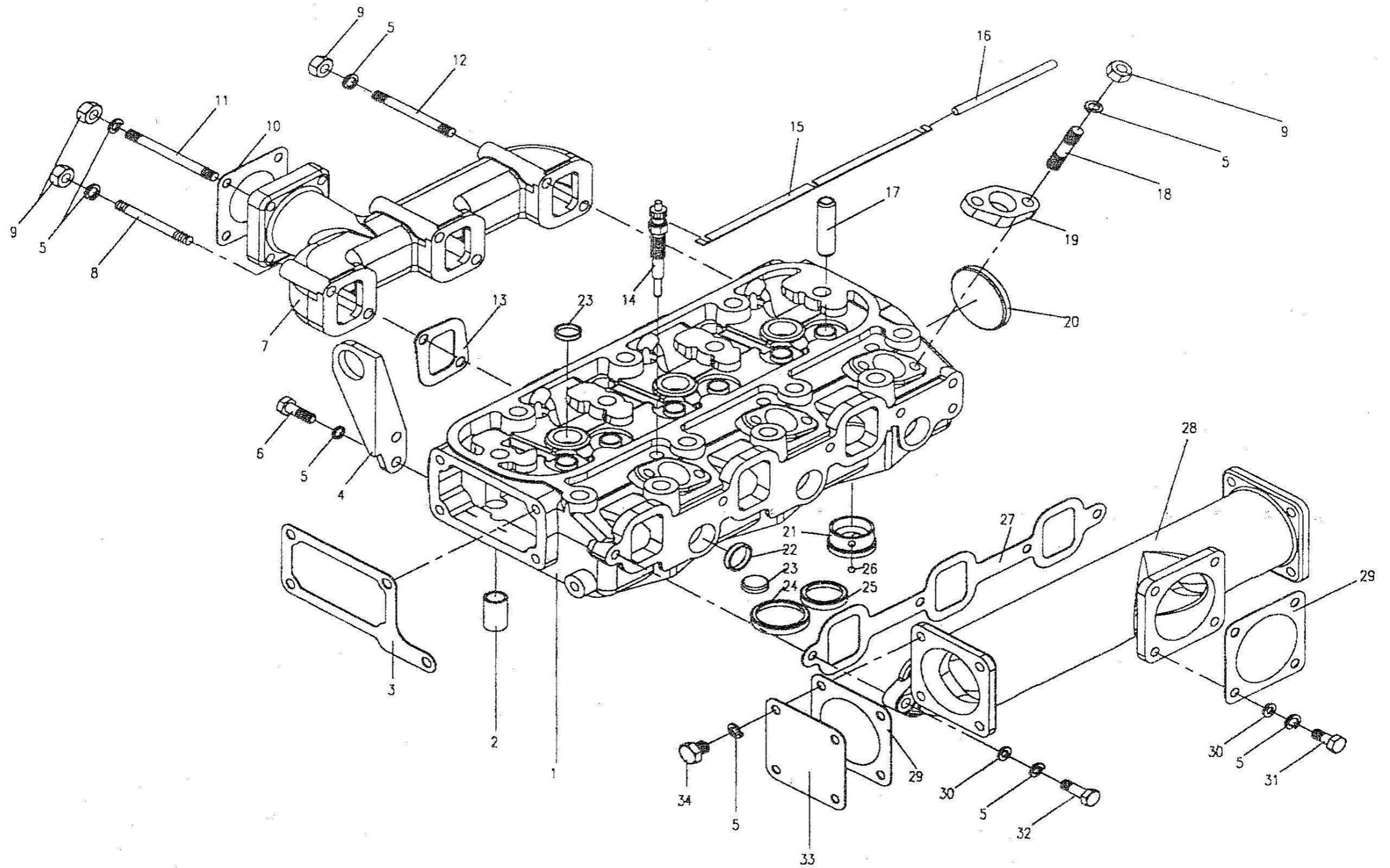
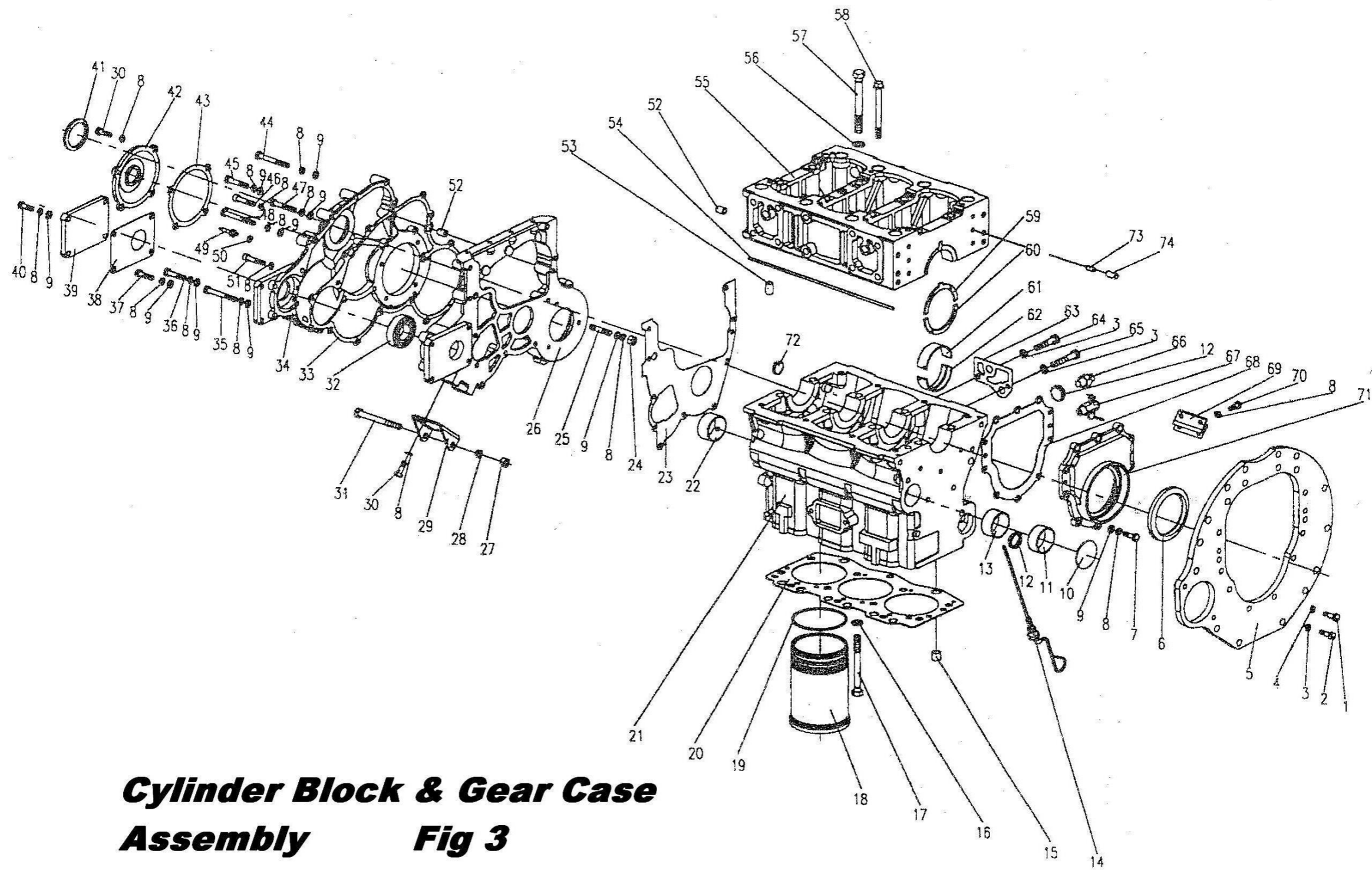


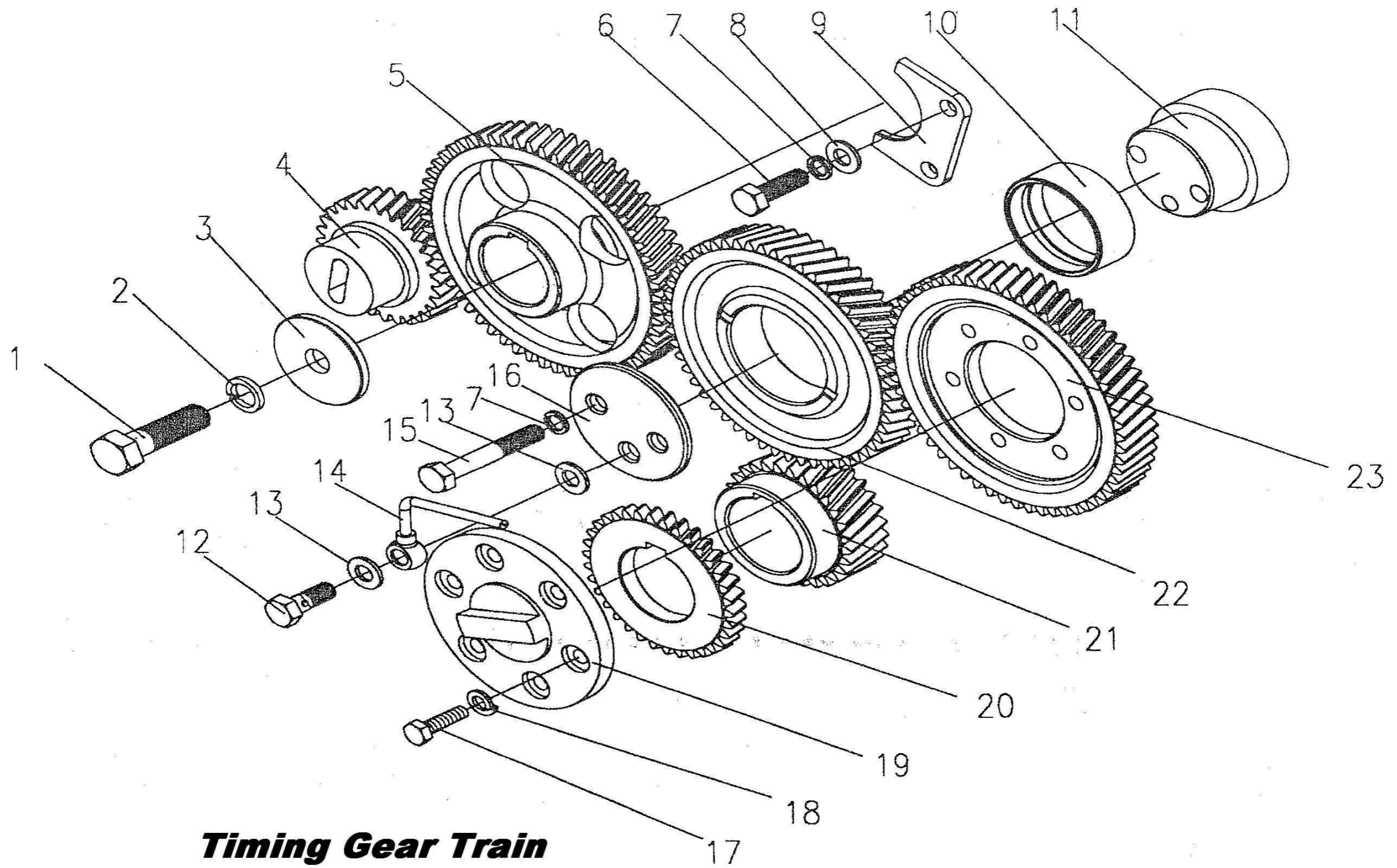
Fig 1 **Cylinder Head Cover**



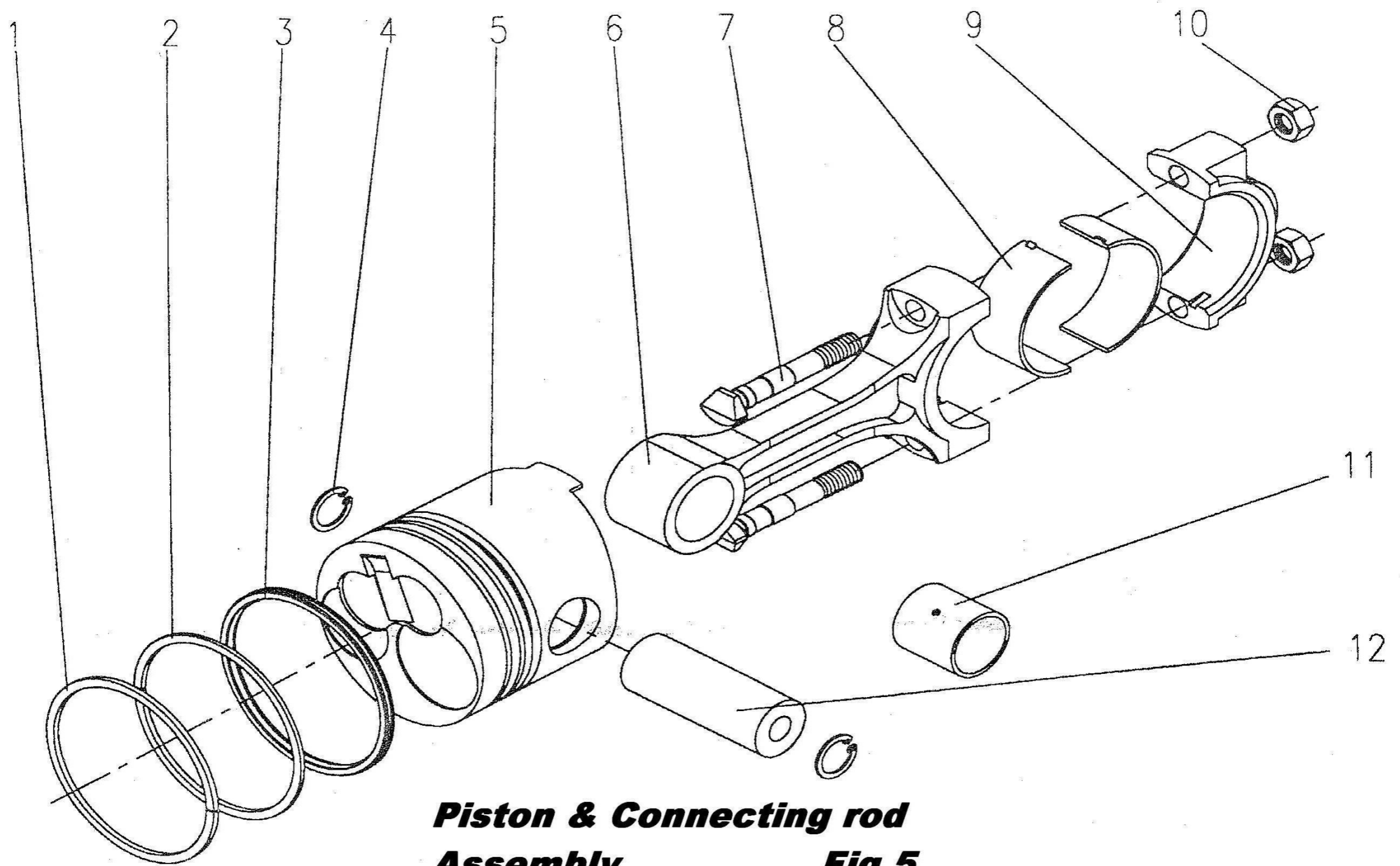
Cylinder Head Assembly
Fig 2



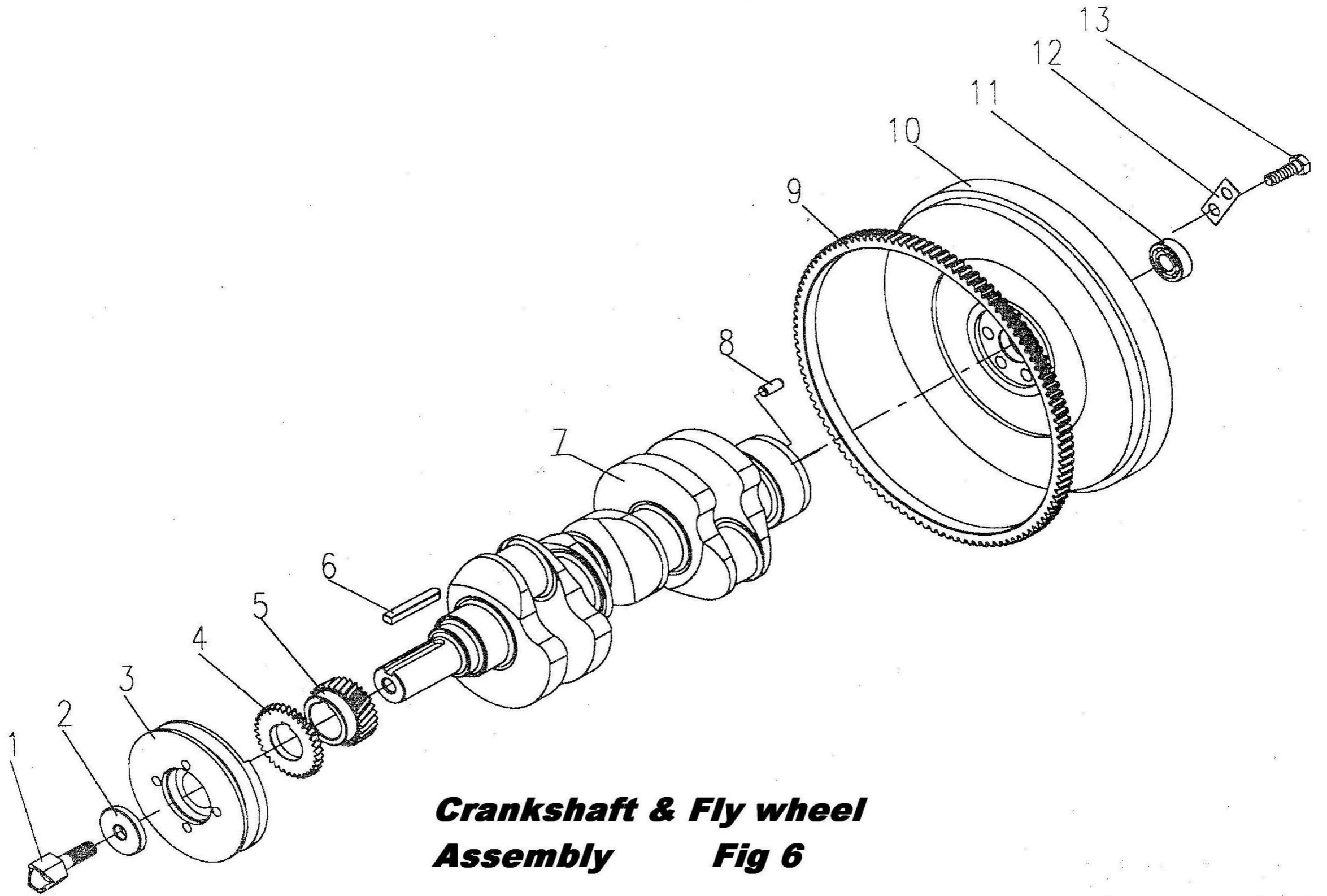
**Cylinder Block & Gear Case
Assembly Fig 3**



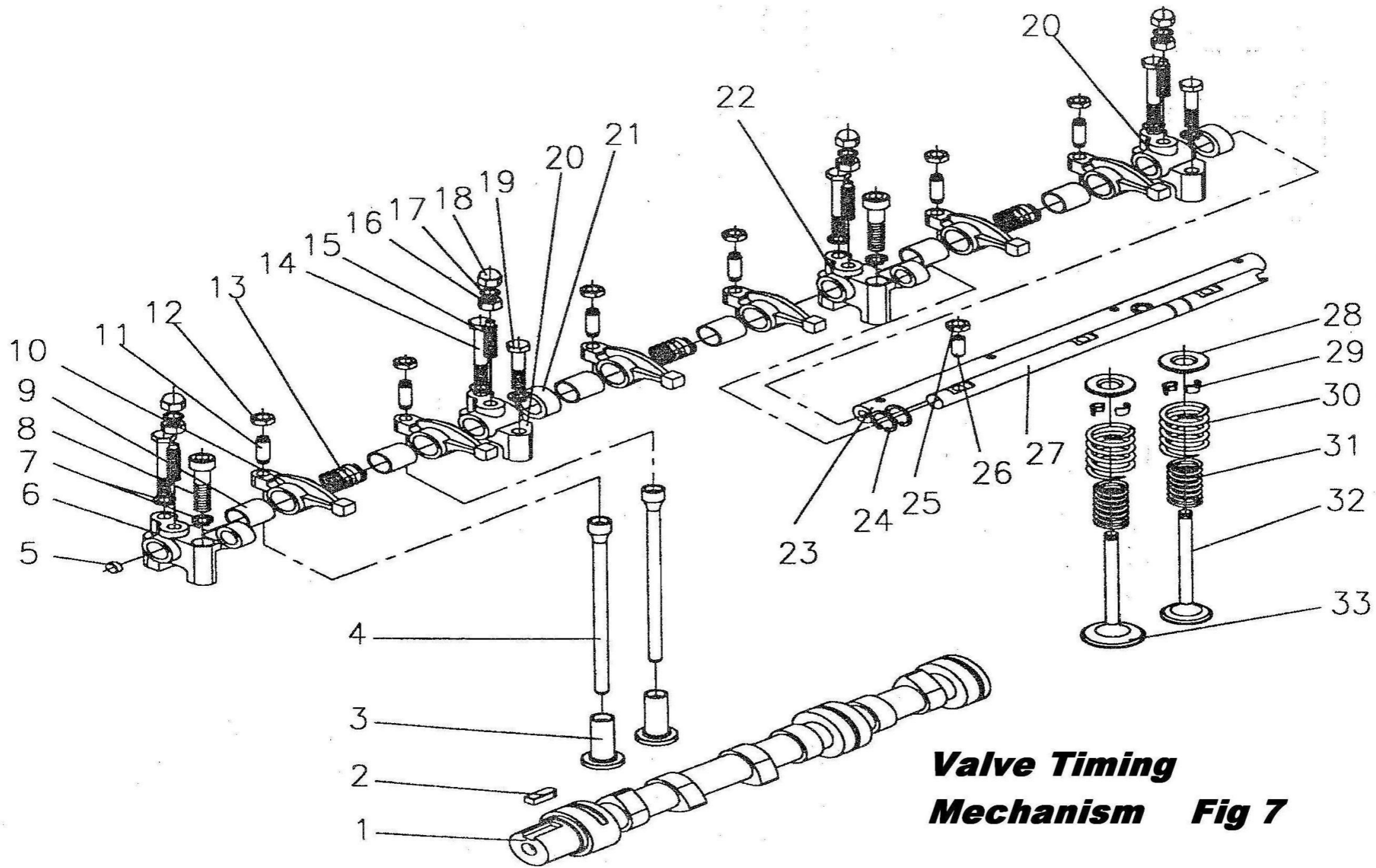
Timing Gear Train
Fig 4



**Piston & Connecting rod
Assembly Fig 5**

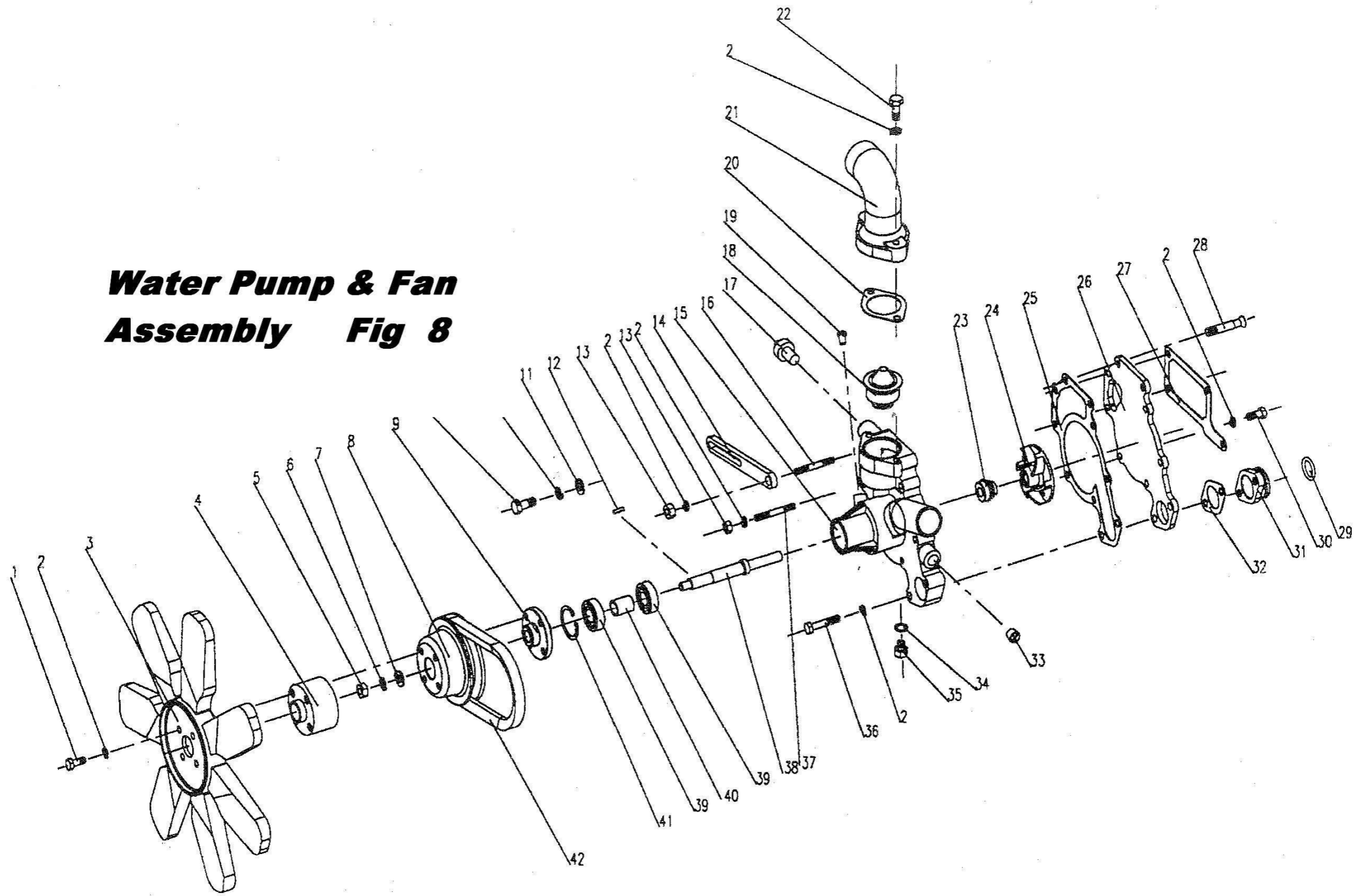


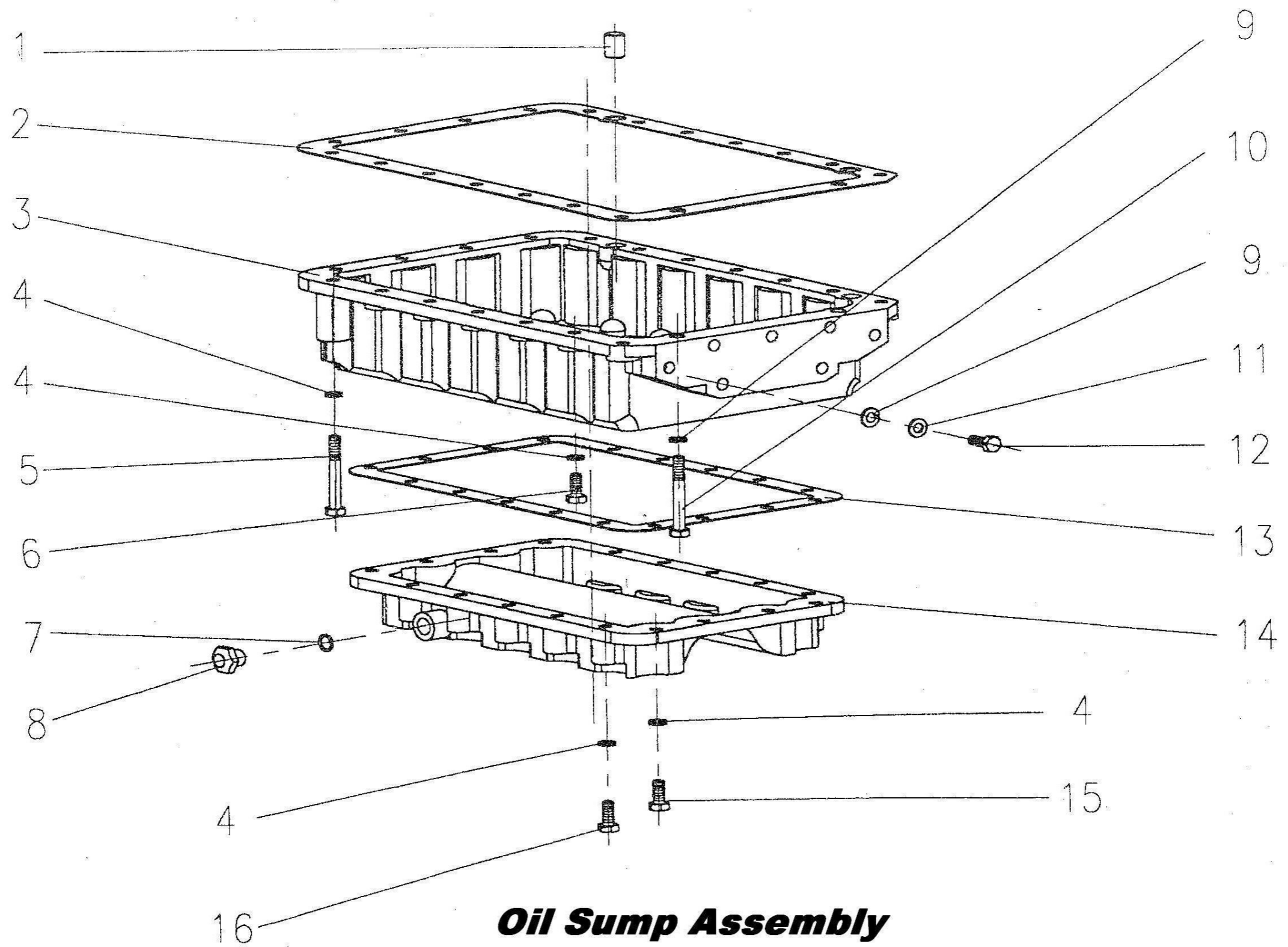
***Crankshaft & Fly wheel
Assembly Fig 6***



Valve Timing Mechanism Fig 7

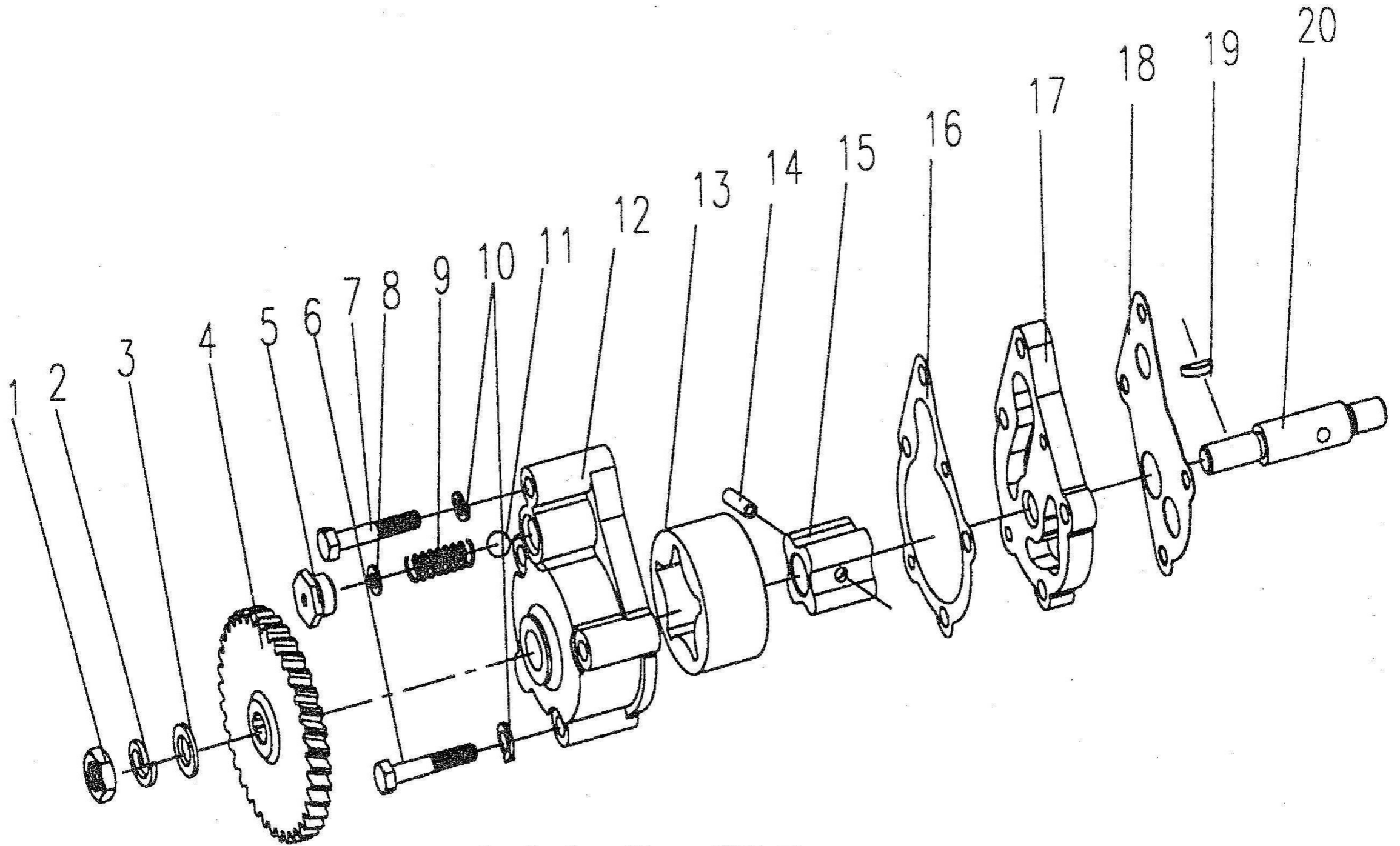
**Water Pump & Fan
Assembly Fig 8**



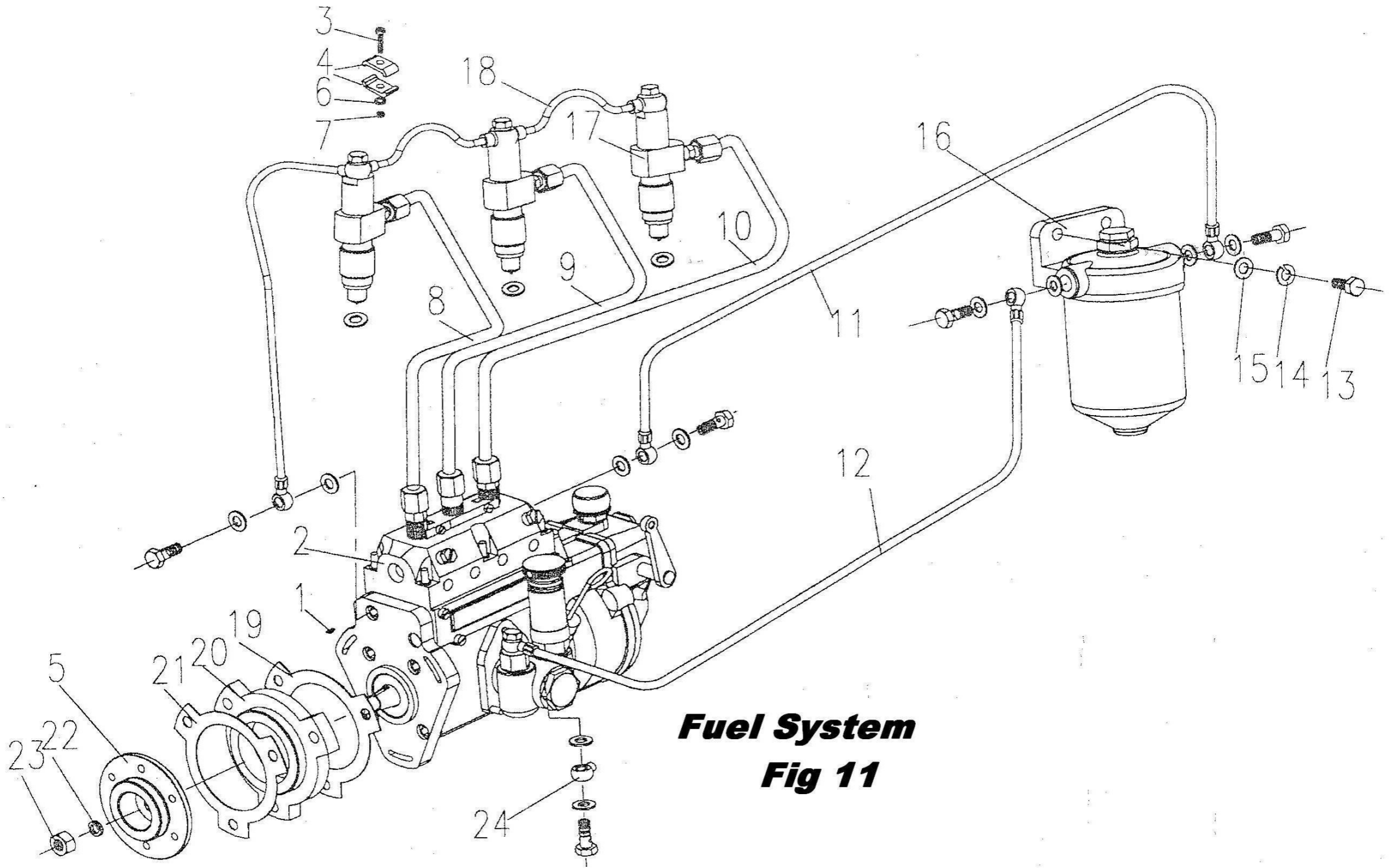


Oil Sump Assembly

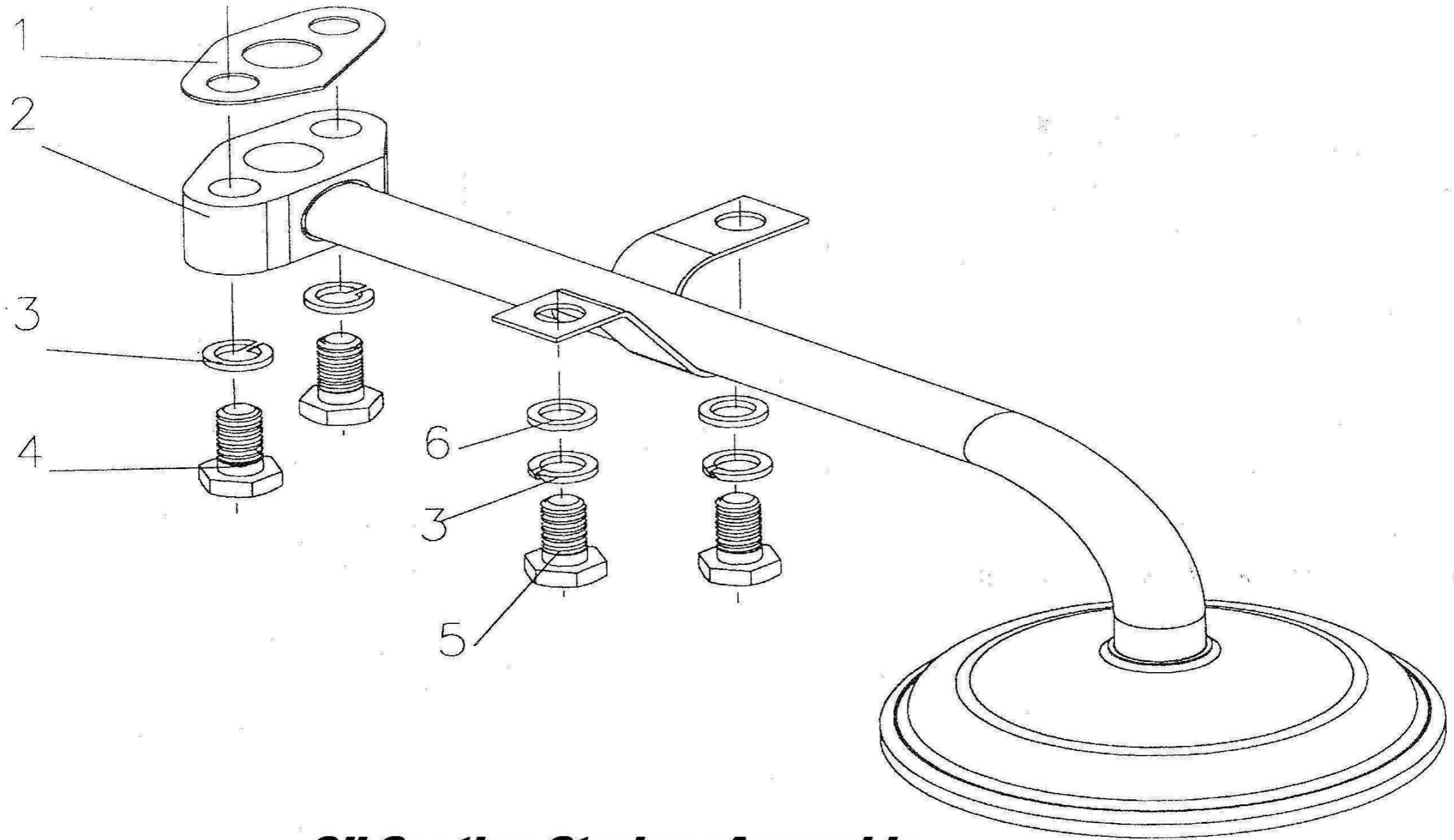
Fig 9



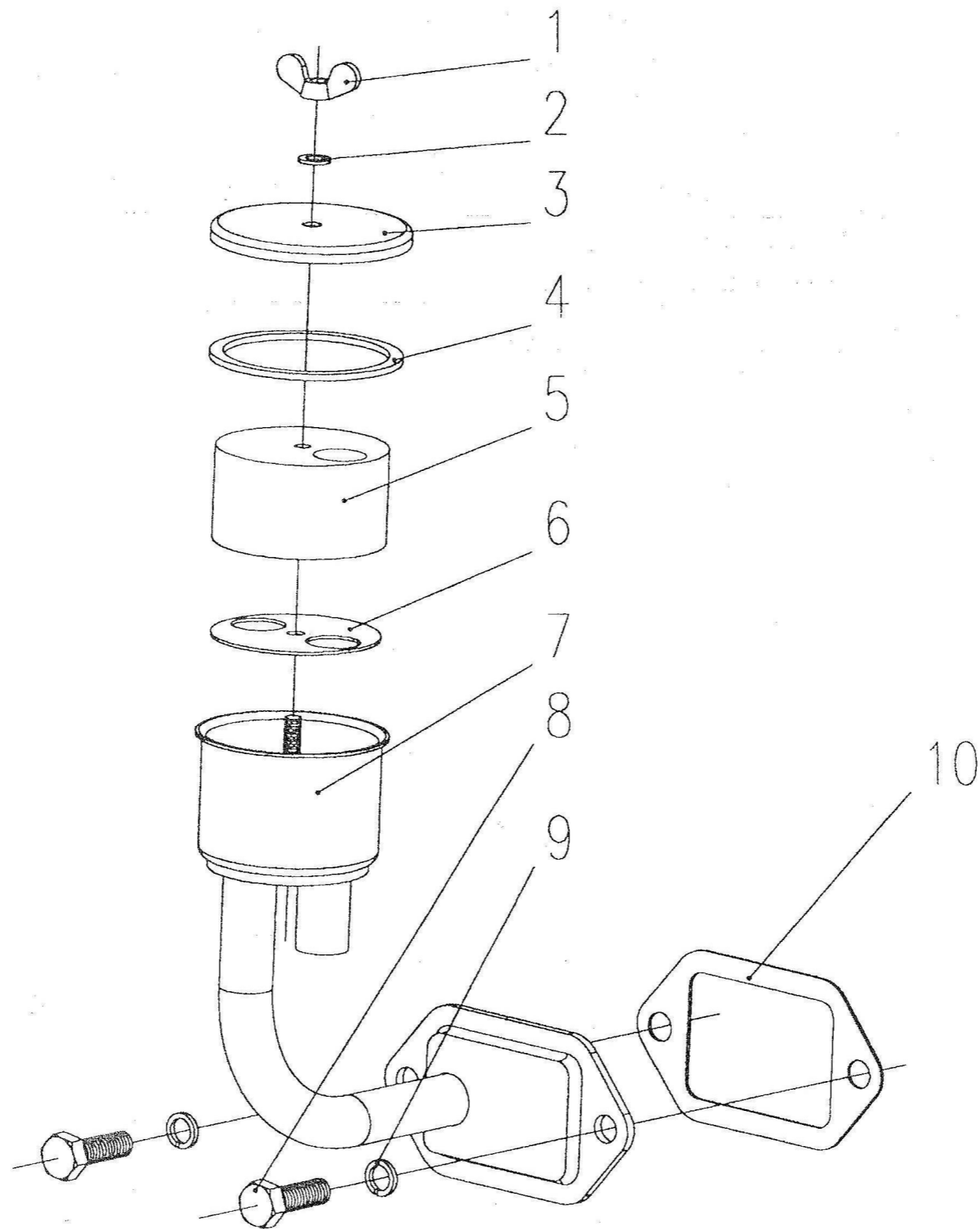
**Lubricating Oil Pump
Assembly Fig 10**



Fuel System
Fig 11



Oil Suction Strainer Assembly
Fig 12



Breather Assembly
Fig 13

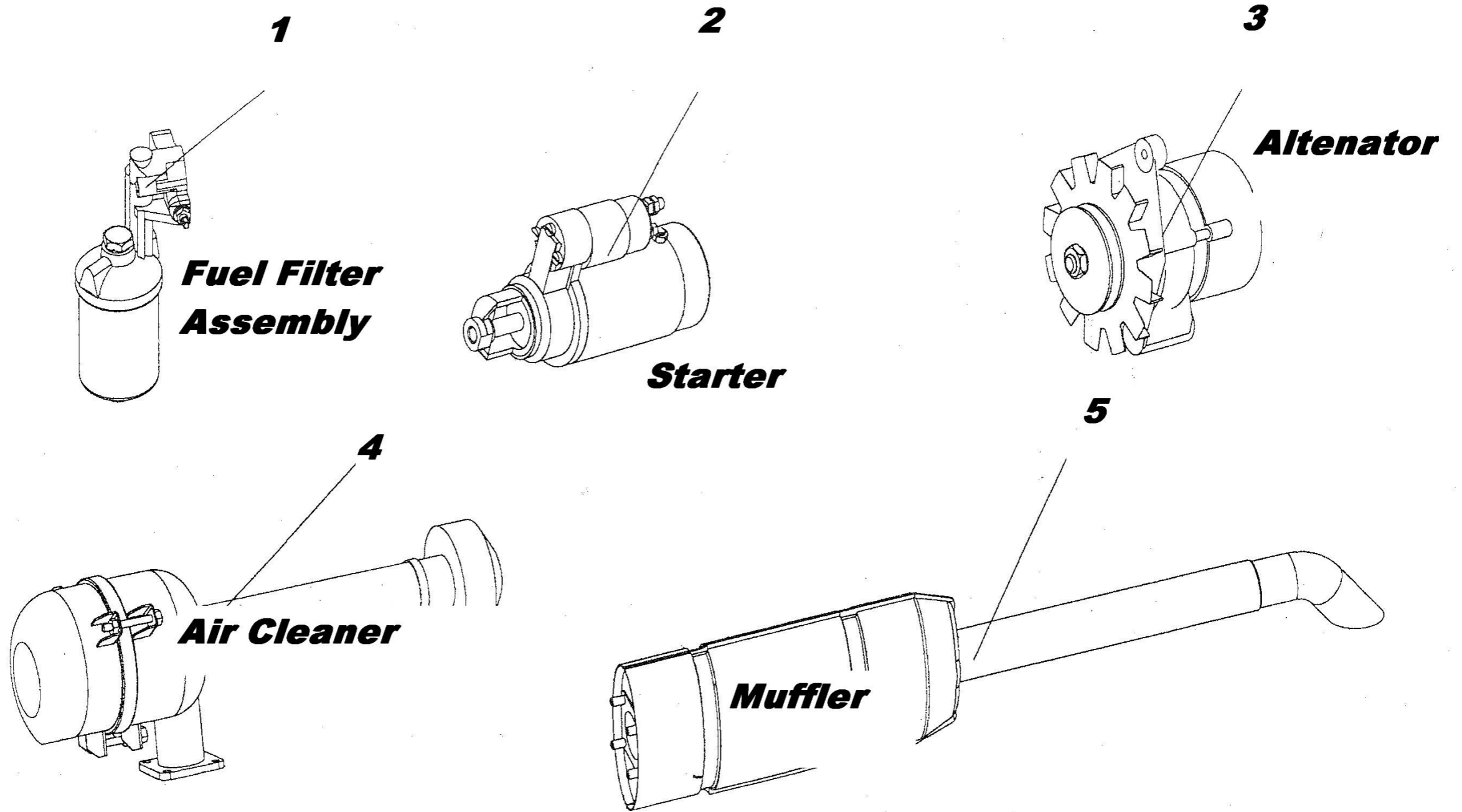


Fig 14