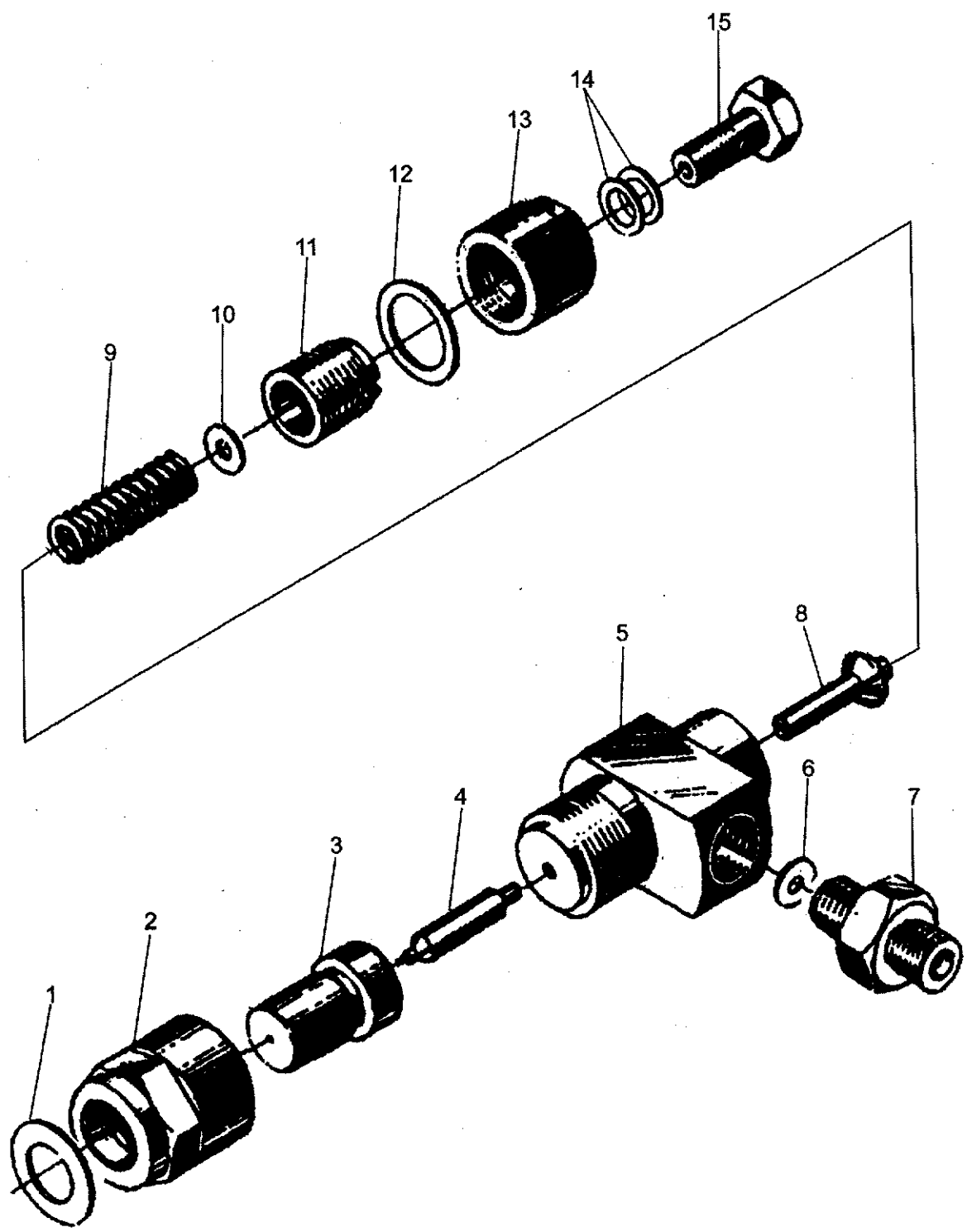
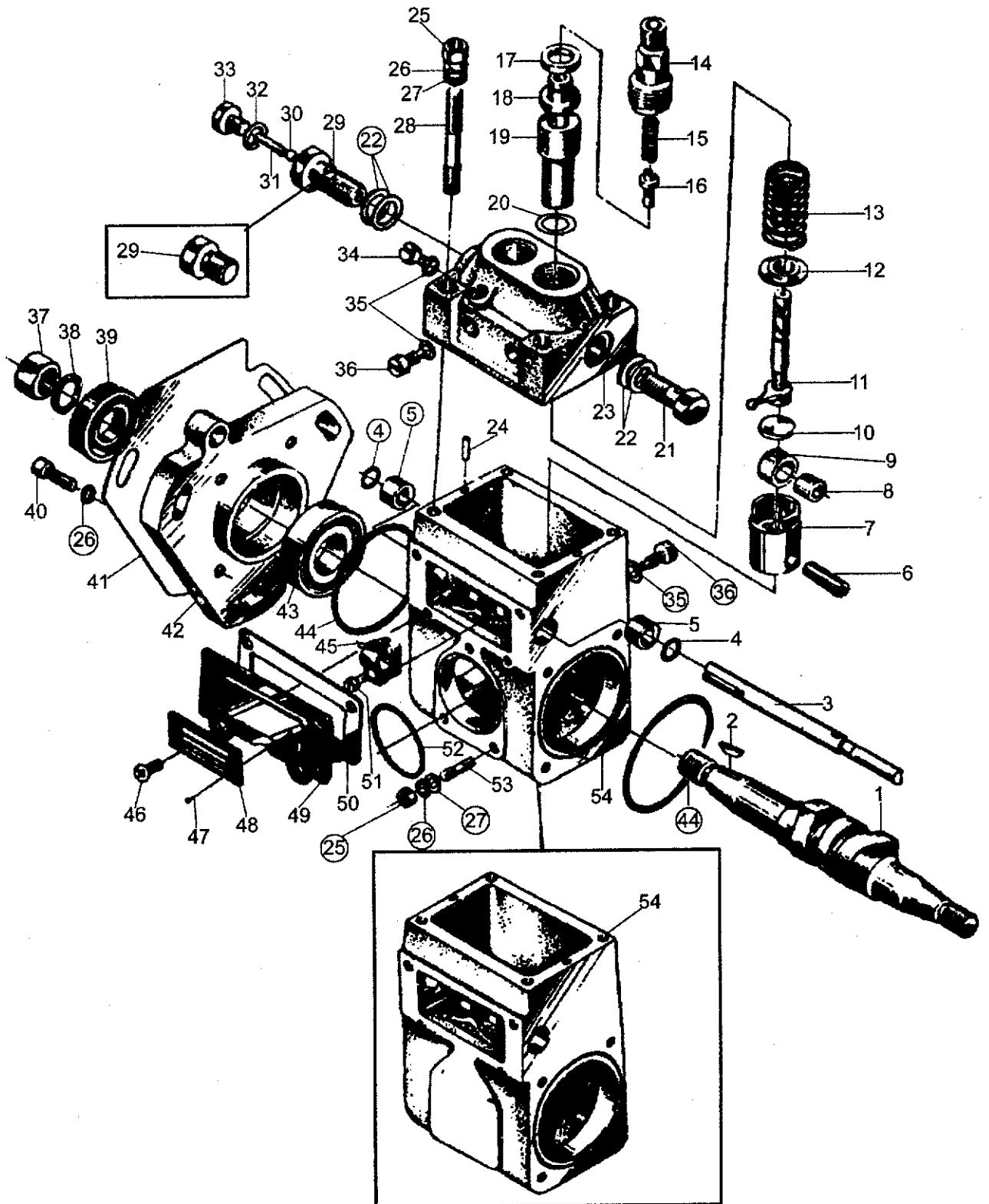




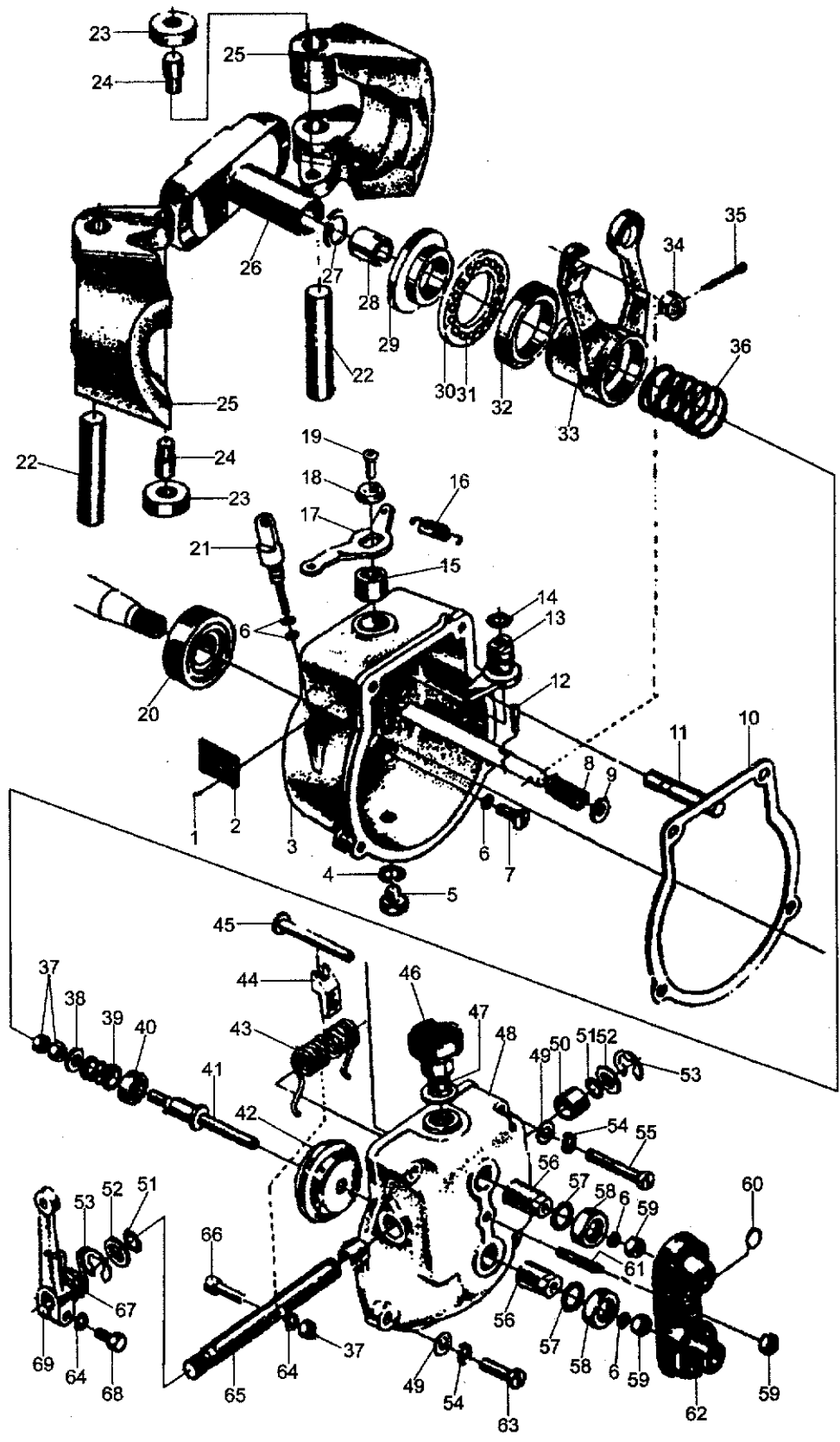
16. 喷油器总成 Injection Nozzle Assembly



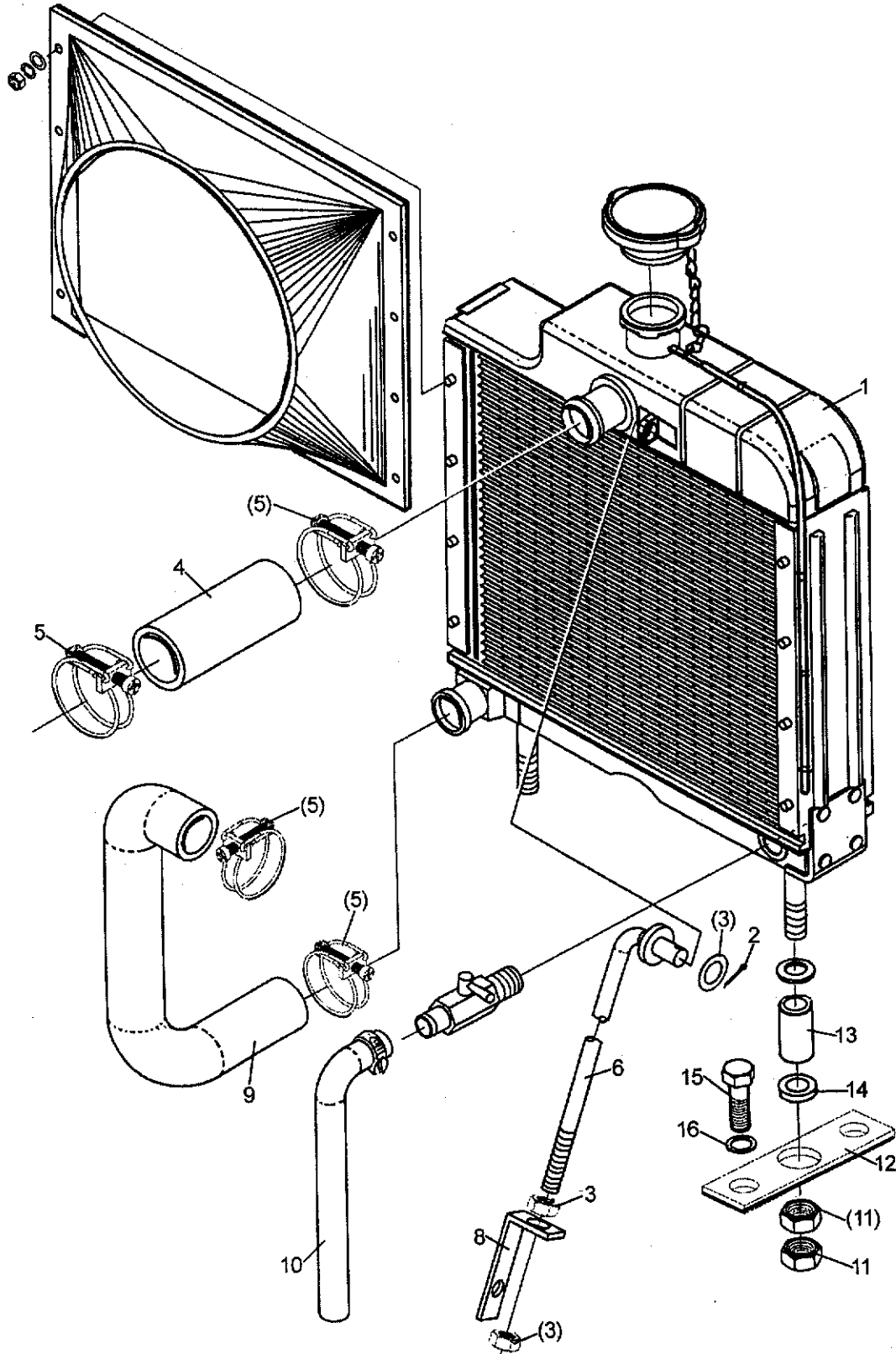
17. 喷油泵总成 Injection Pump Assembly



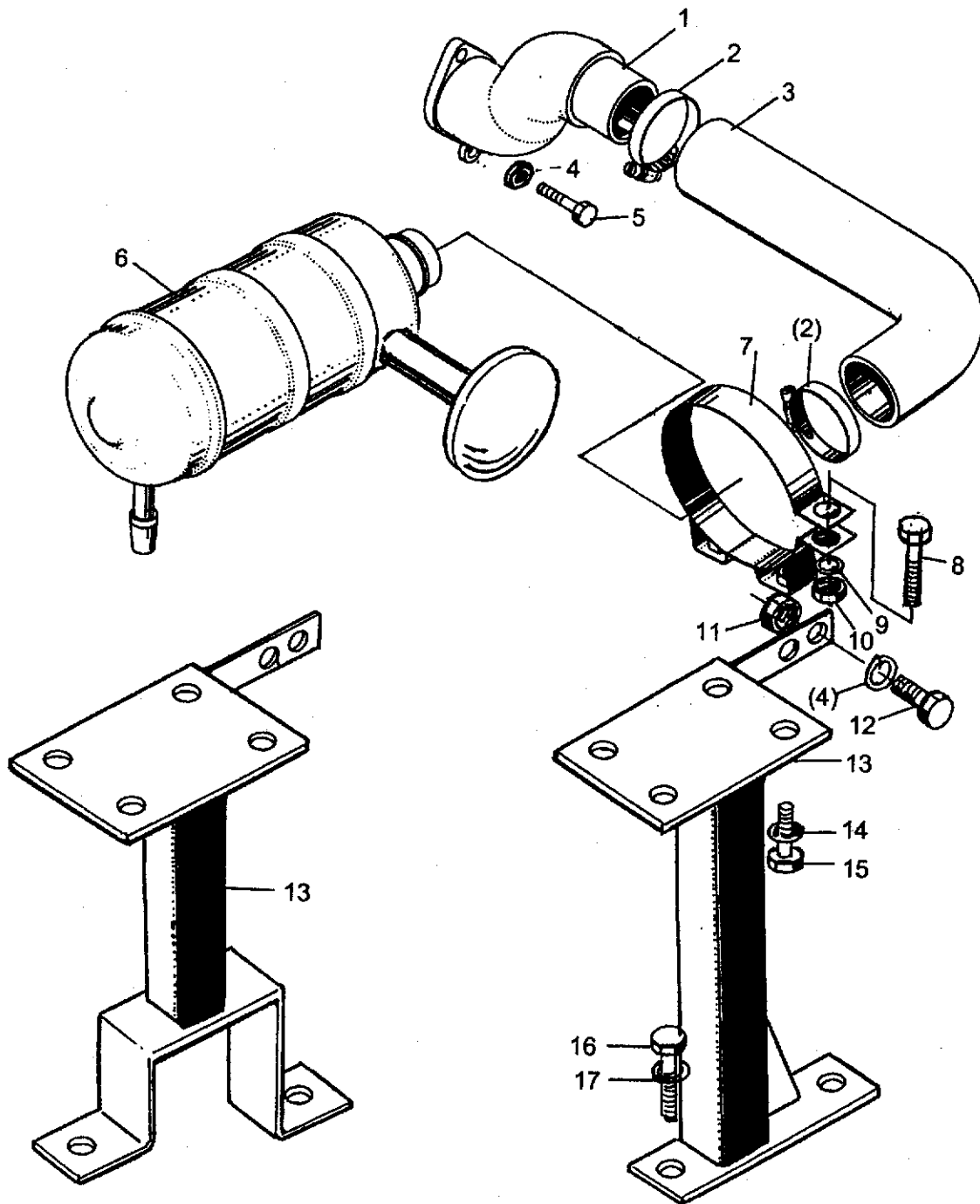
18. 调速器总成 Governor Assembly



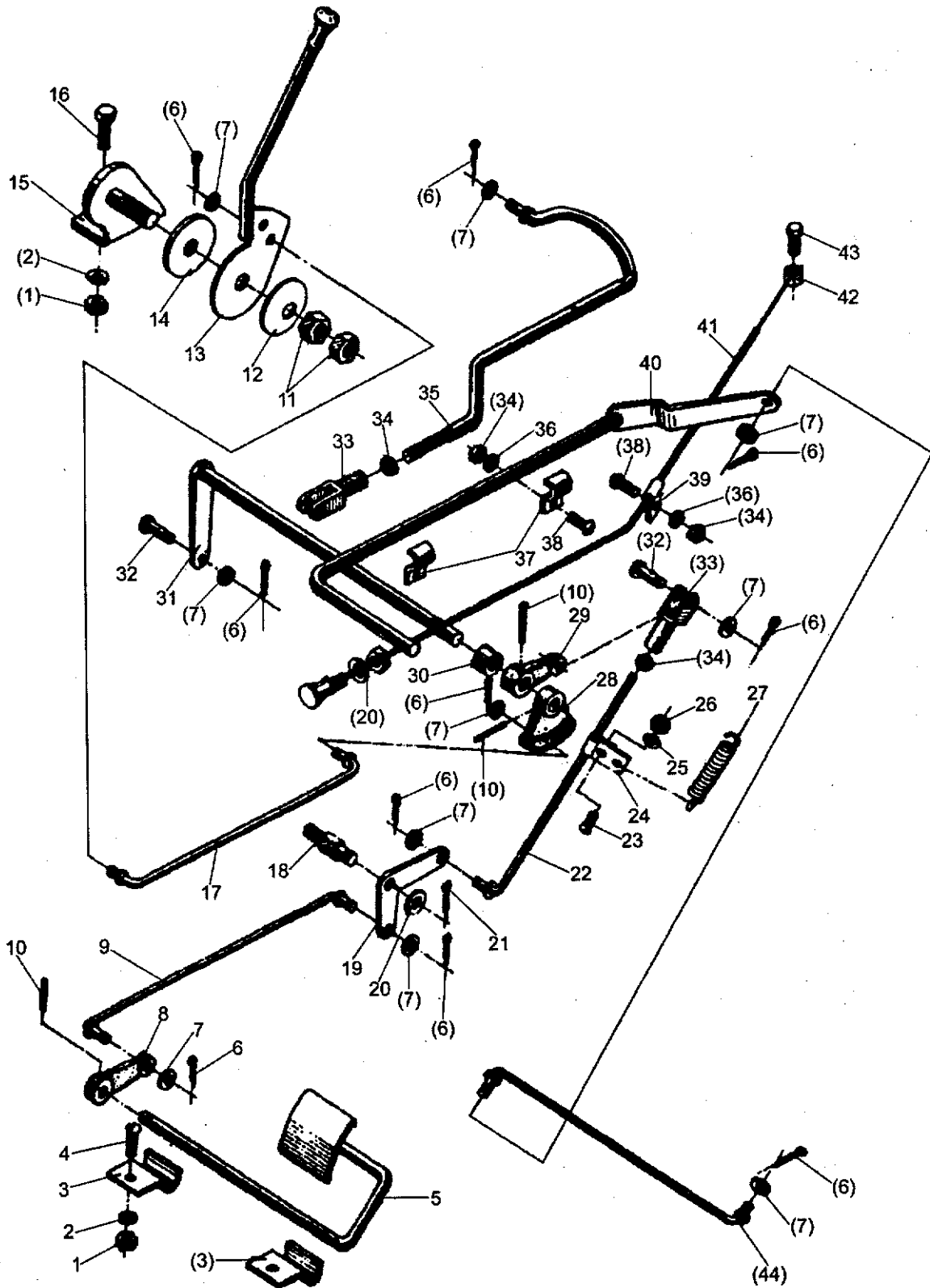
20. 水箱总成 Radiator Assembly



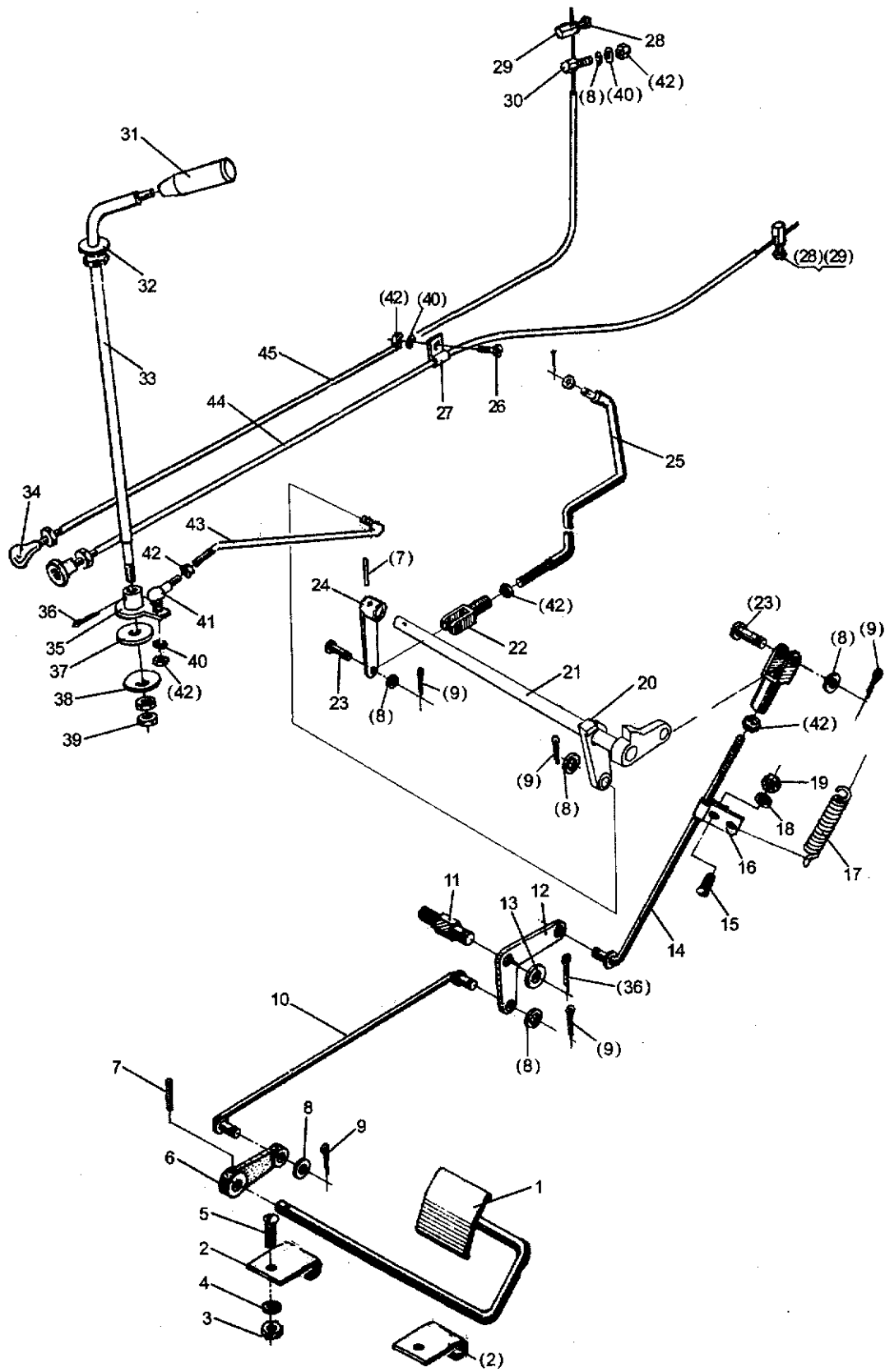
21. 空滤器安装总成 Air Filter Assembly



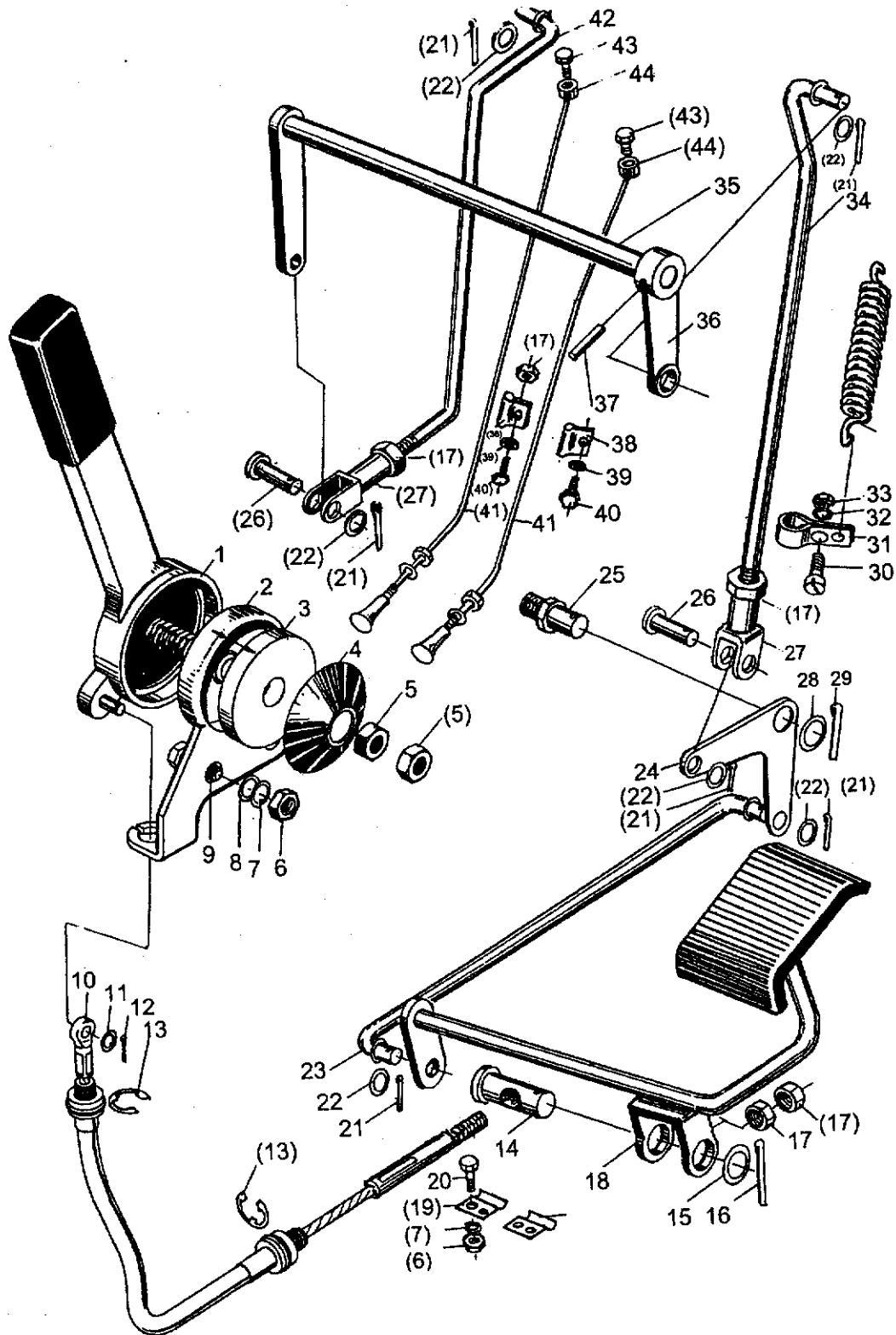
22. 发动机操纵机构 I Engine Control Mechanism I



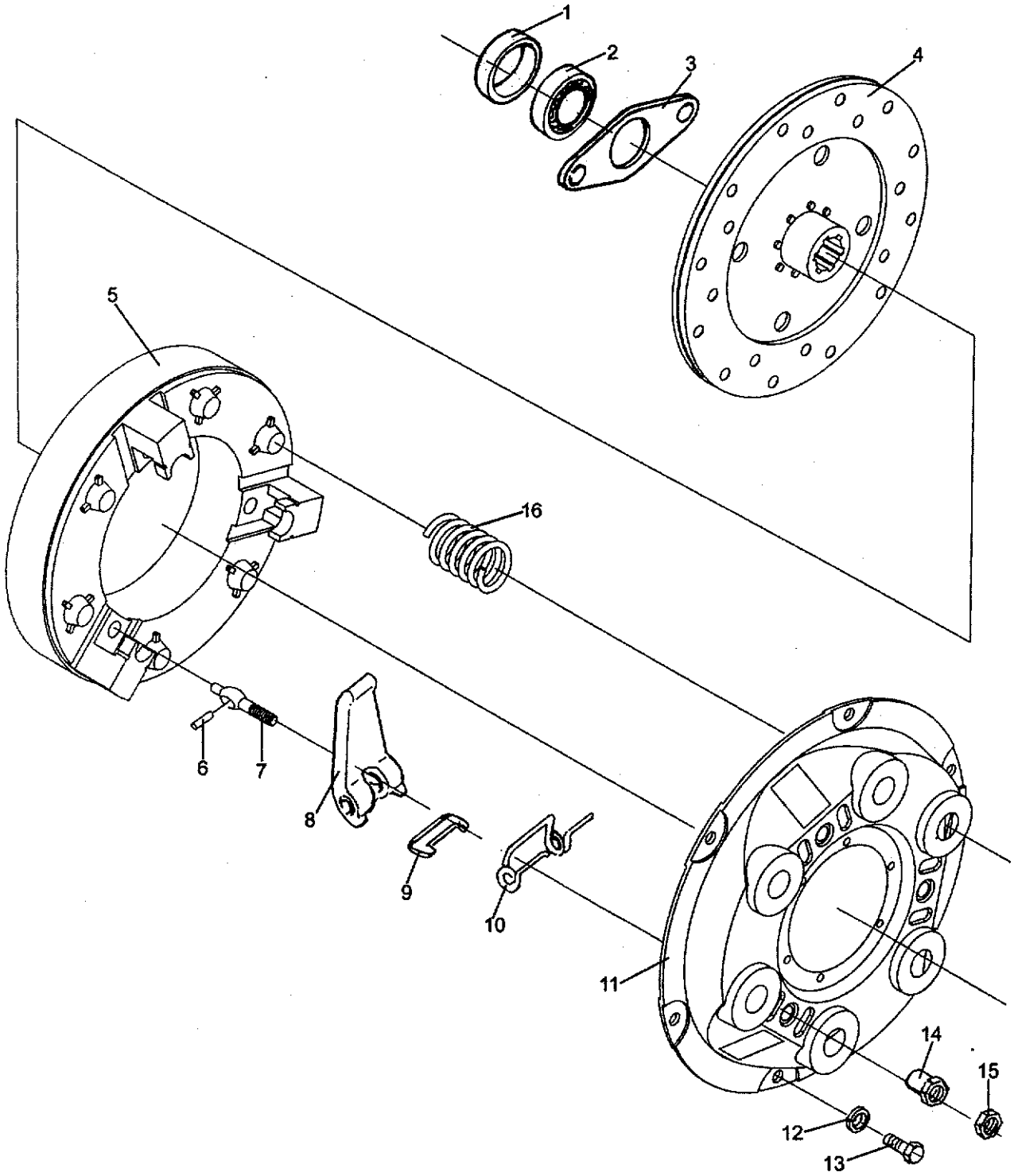
23. 发动机操纵机构 II Engine Control Mechanism II



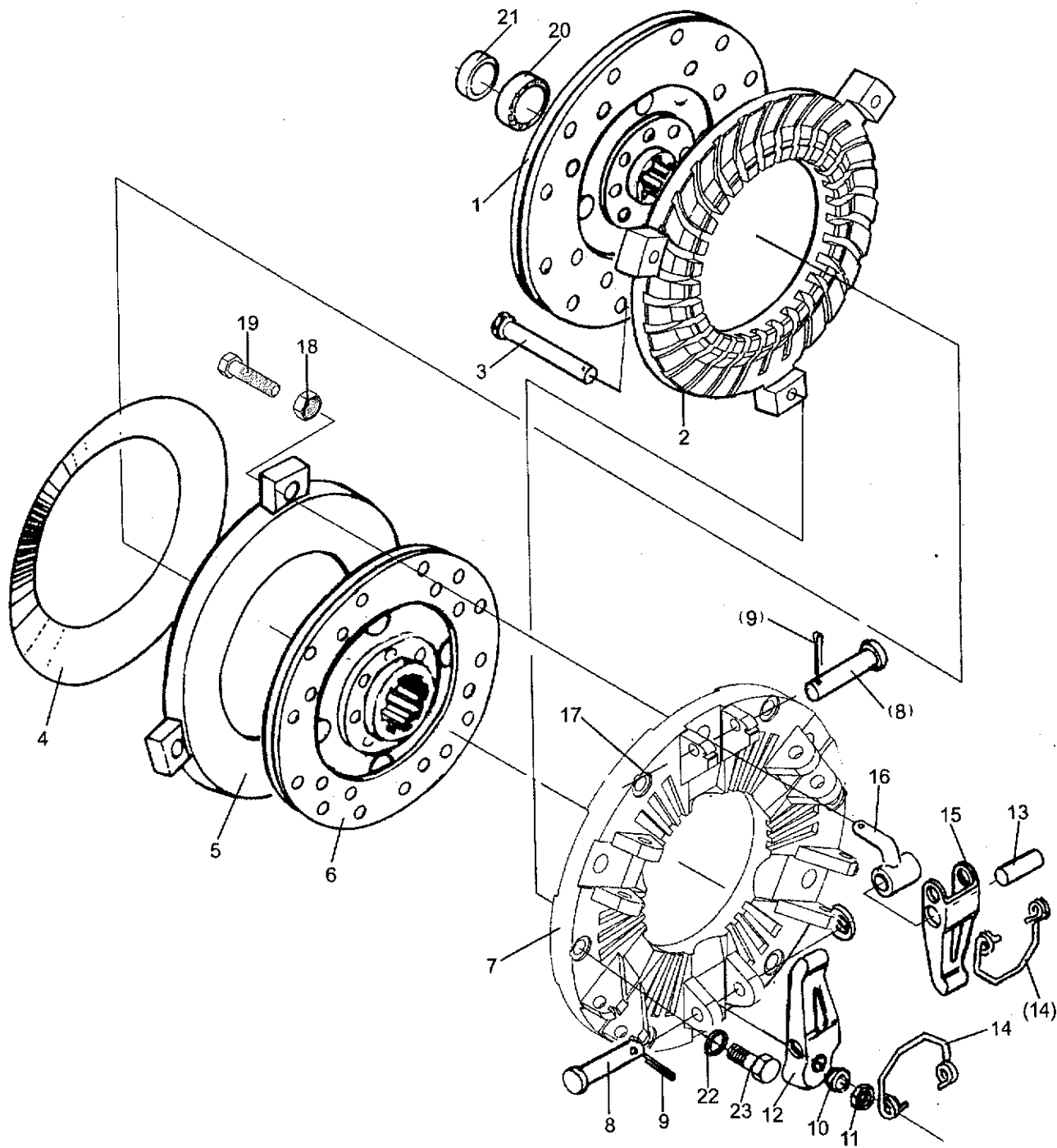
24. 发动机操纵机构III Engine Control MechanismIII



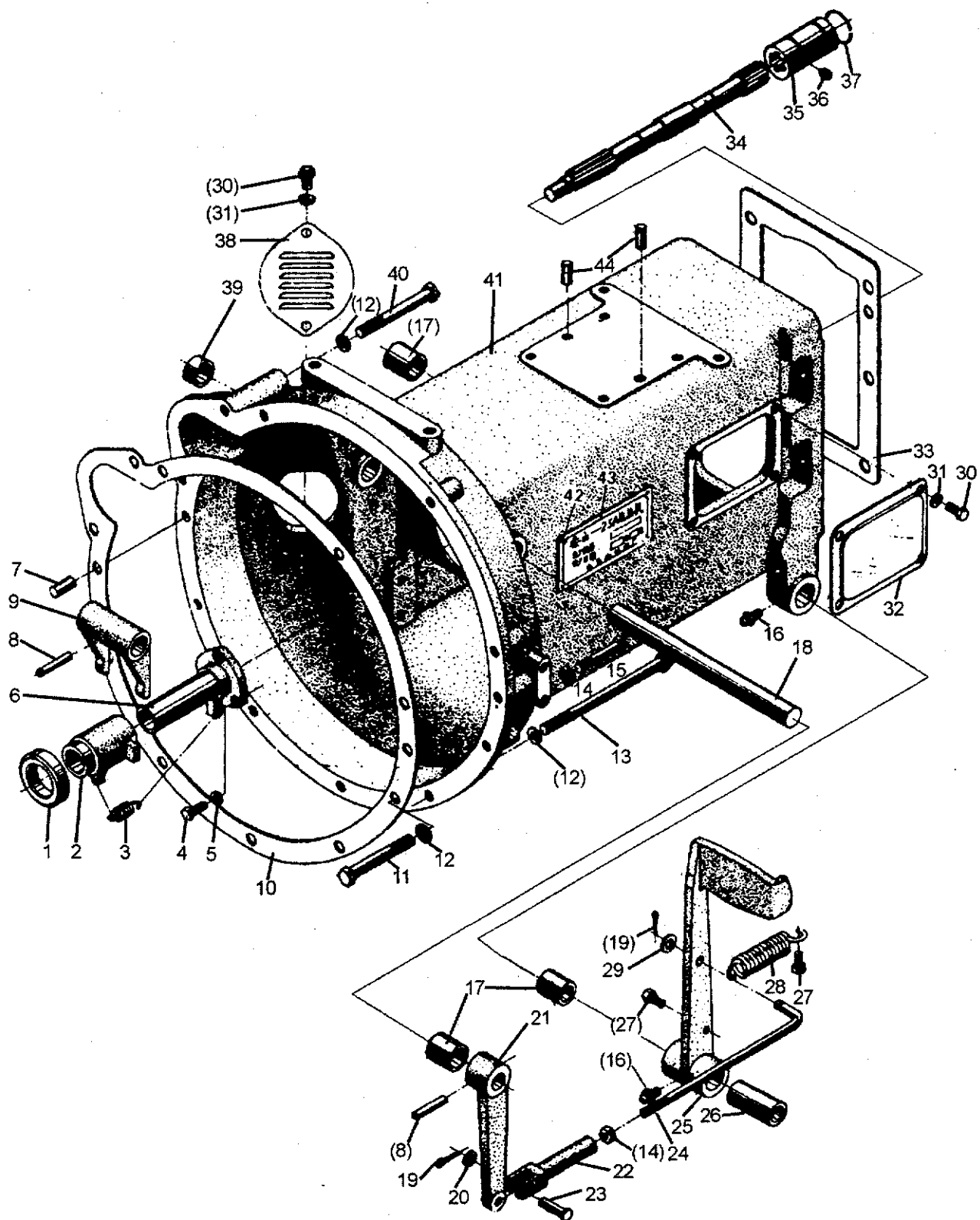
25. 离合器 I Clutch I



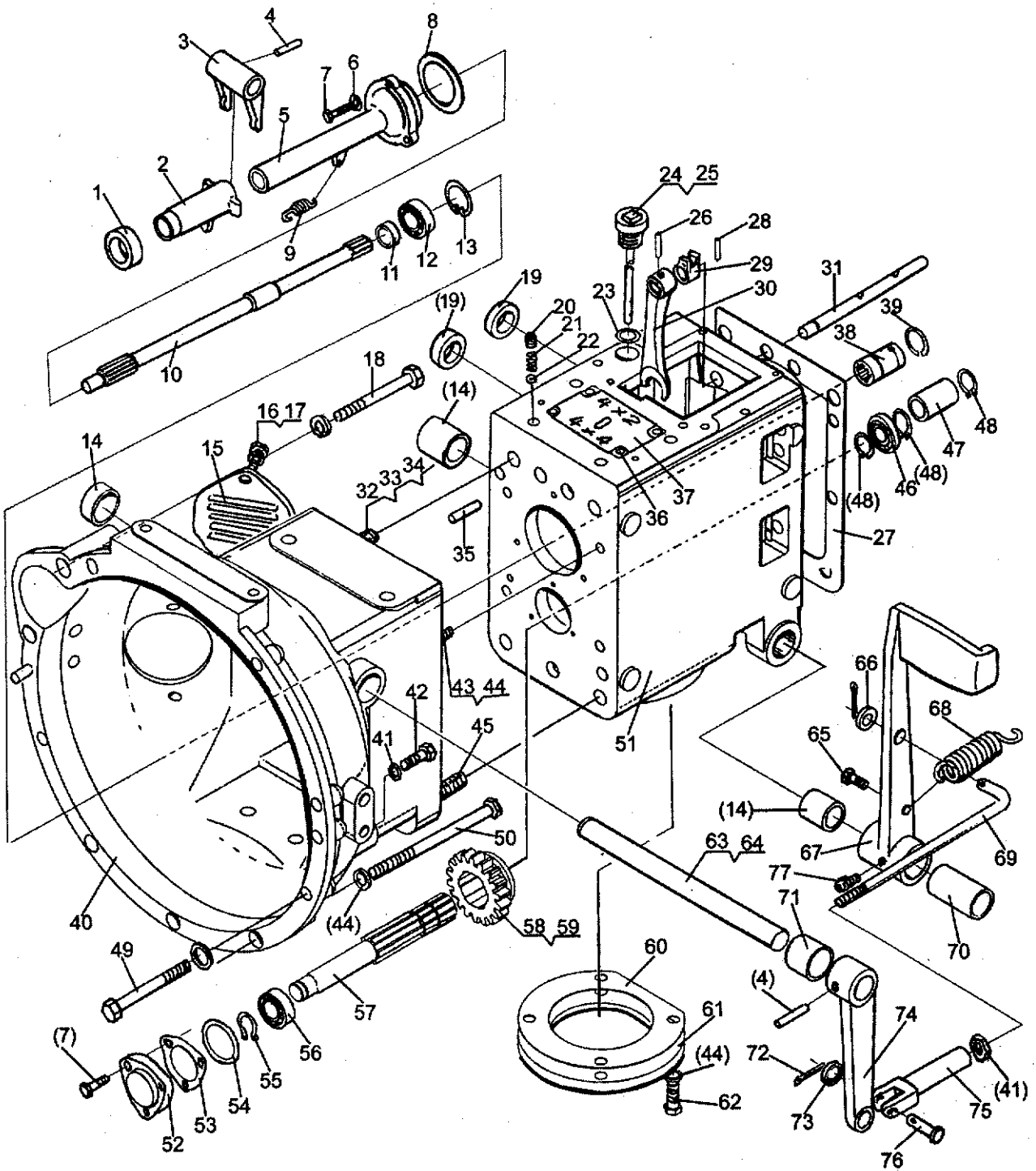
26. 离合器 II Clutch II



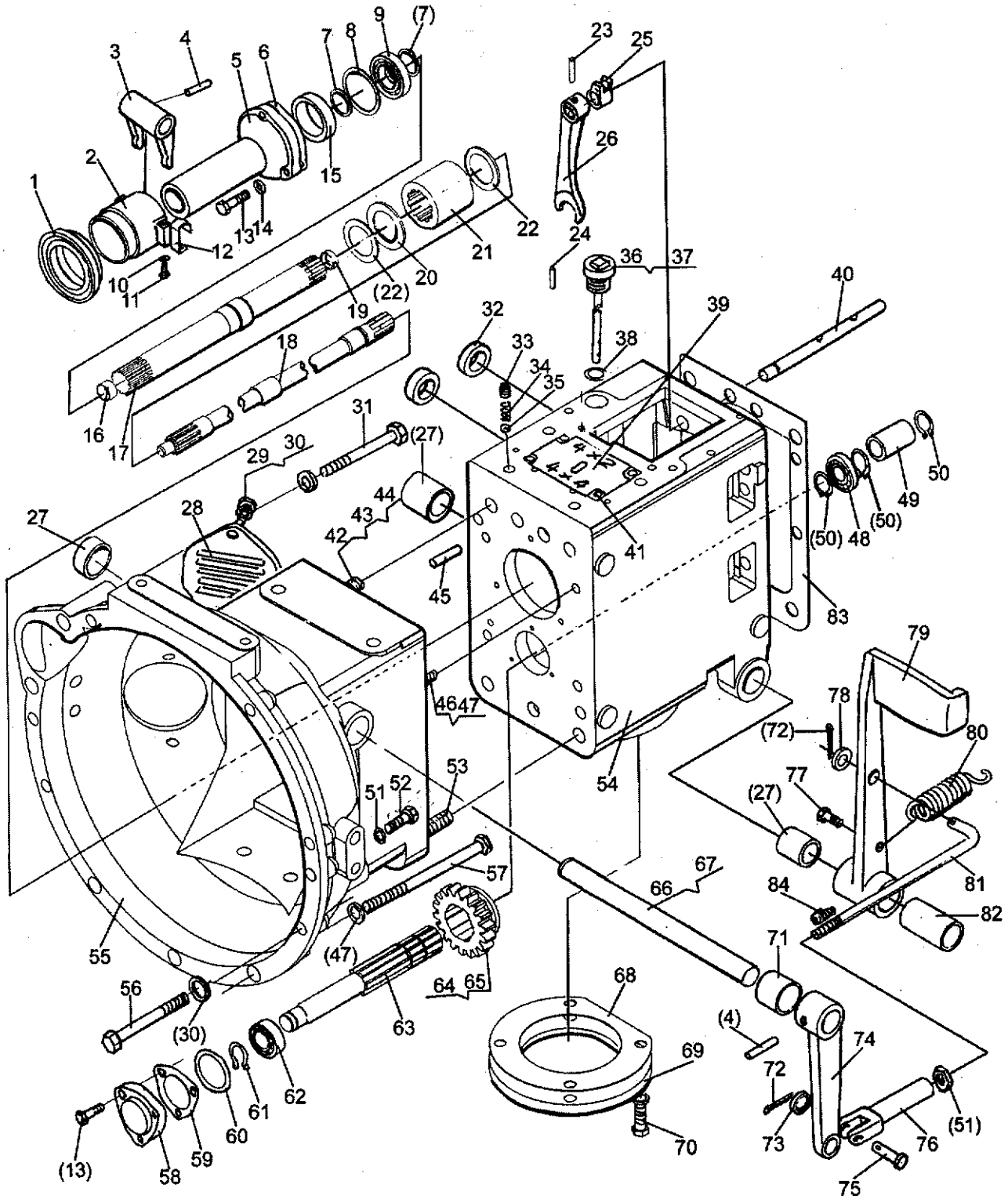
27. 过桥 Mid Connecting Housting



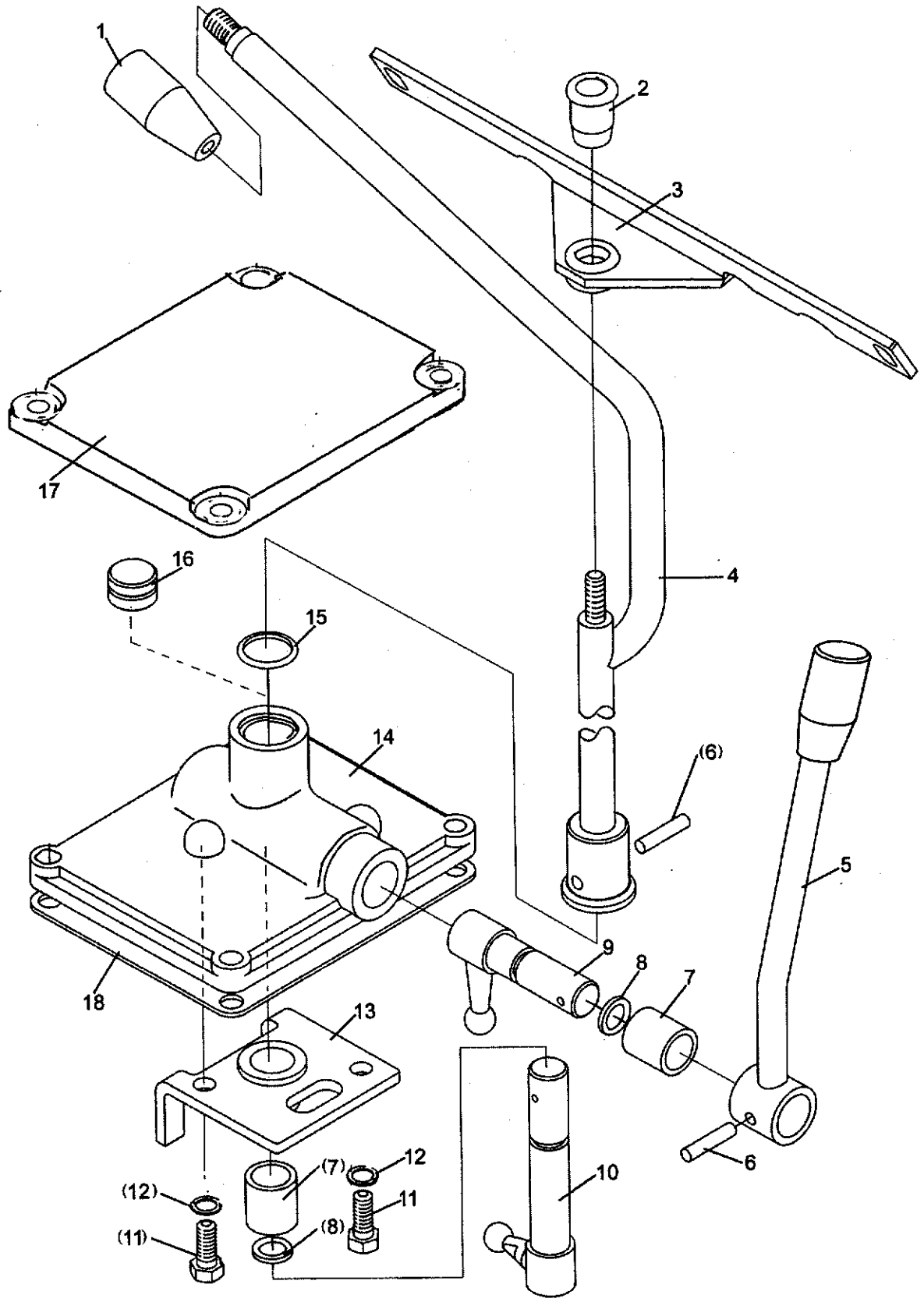
28. 过桥中间箱总成 I Mid Connecting Housing Assembly I



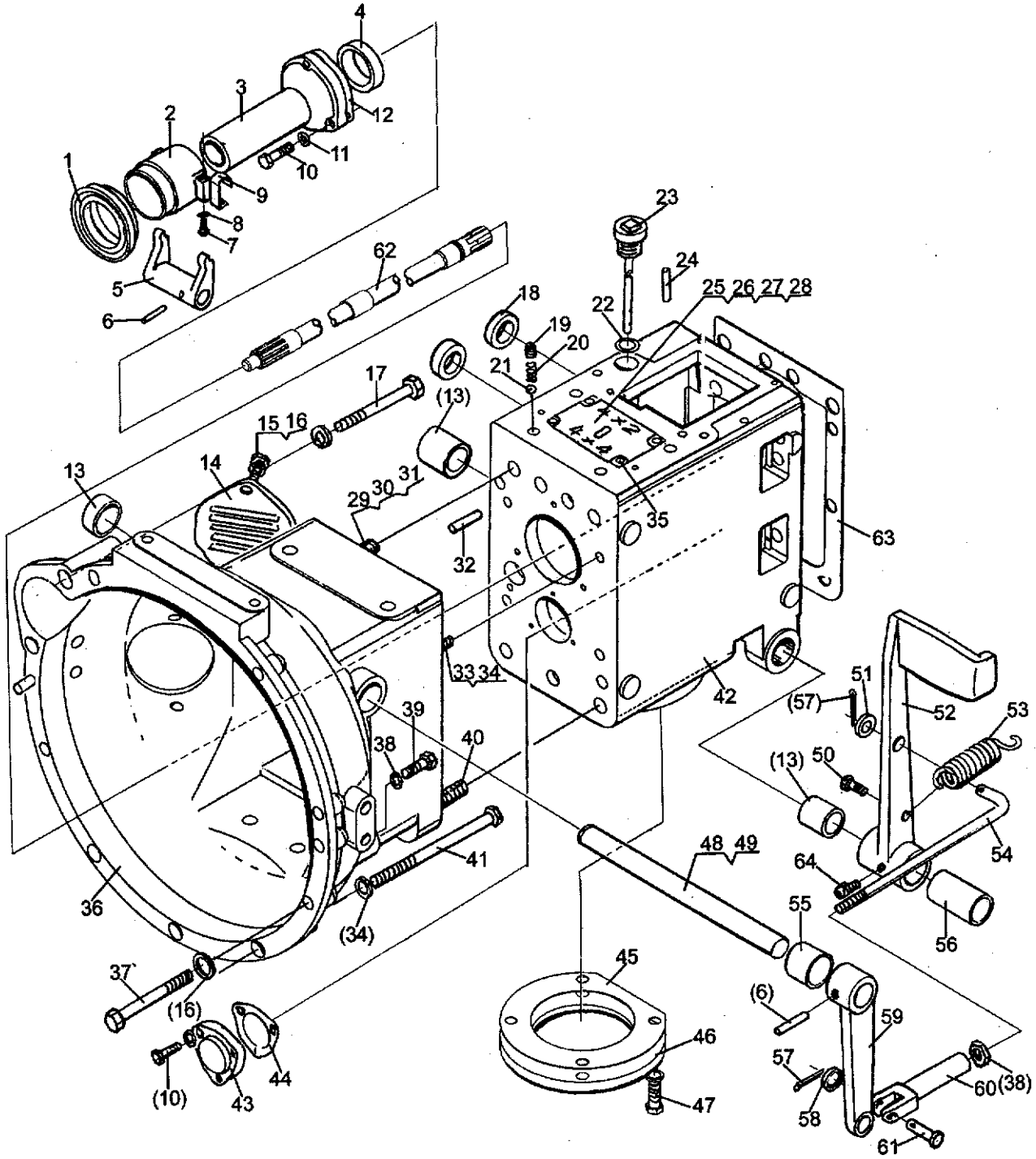
29. 过桥中间箱总成 II Mid Connecting Housing Assembly II



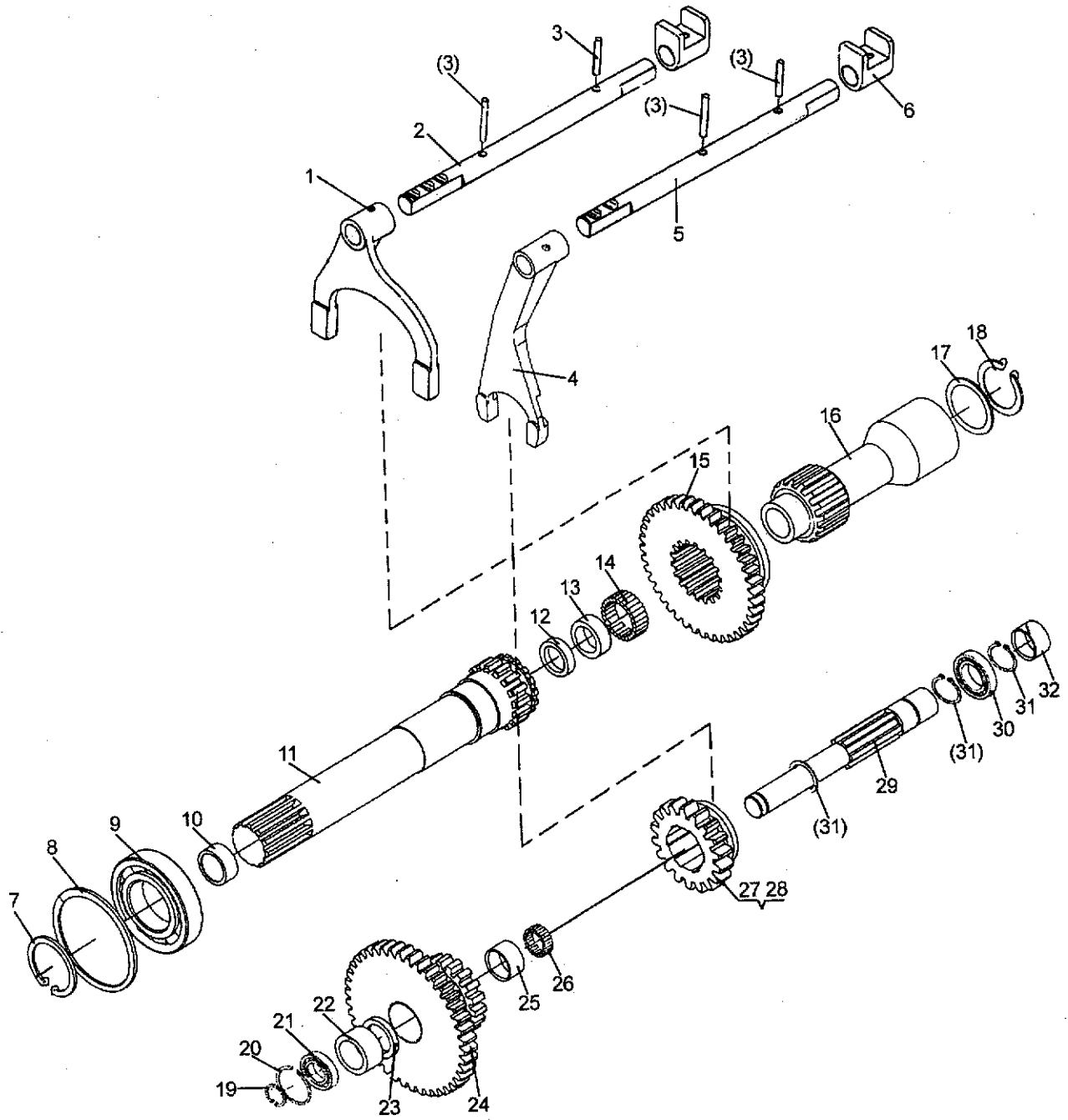
30. 换档总成 I Shift Assembly I



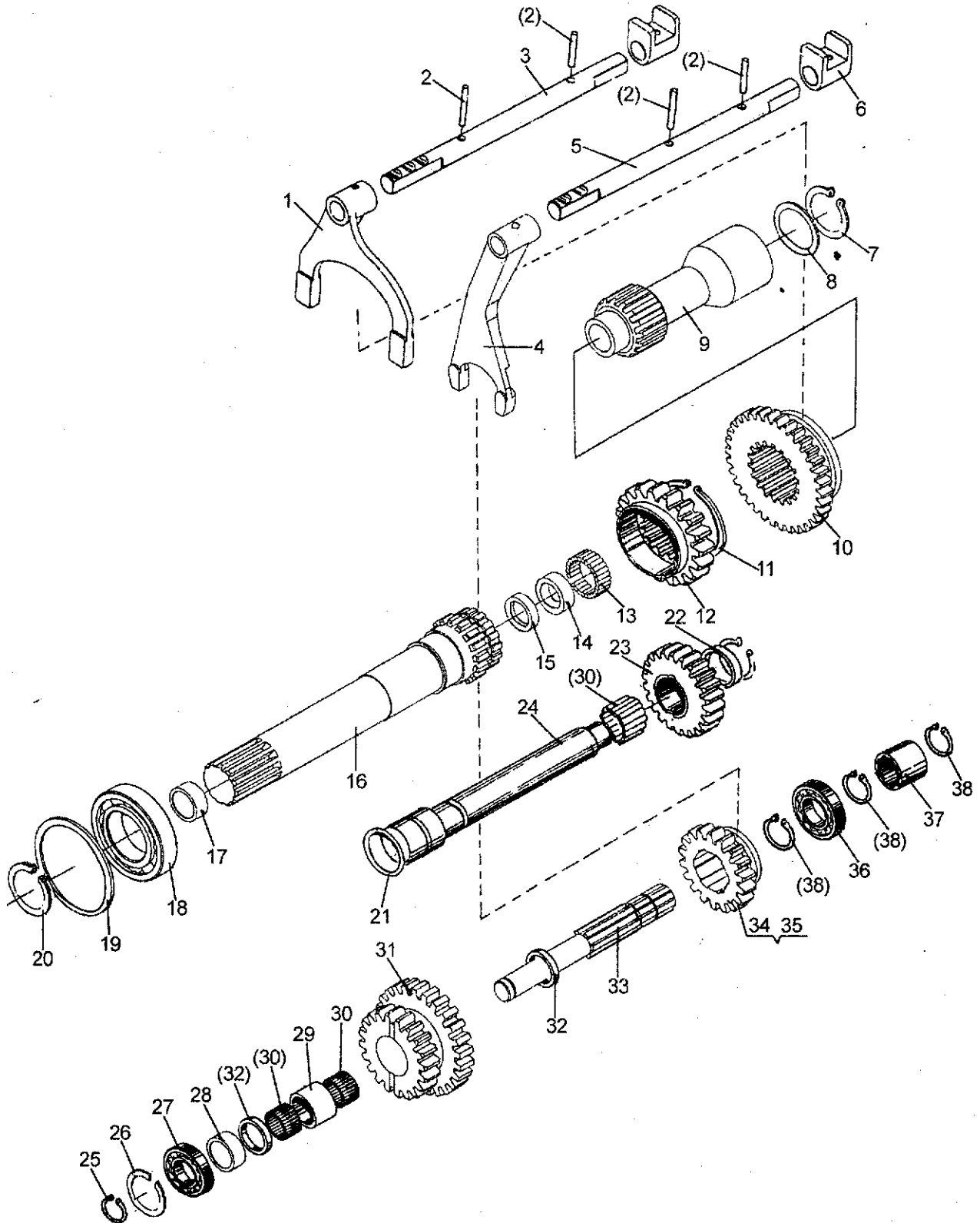
31. 过桥中间箱总成III Mid Connecting Housing AssemblyIII



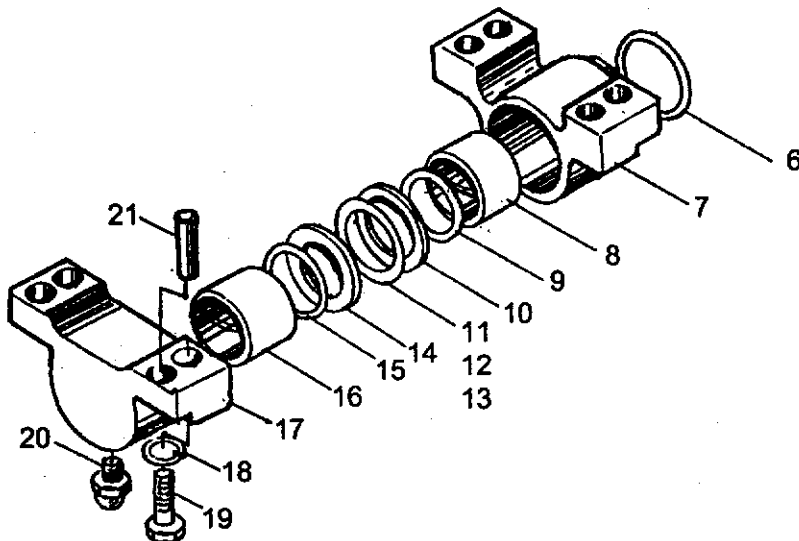
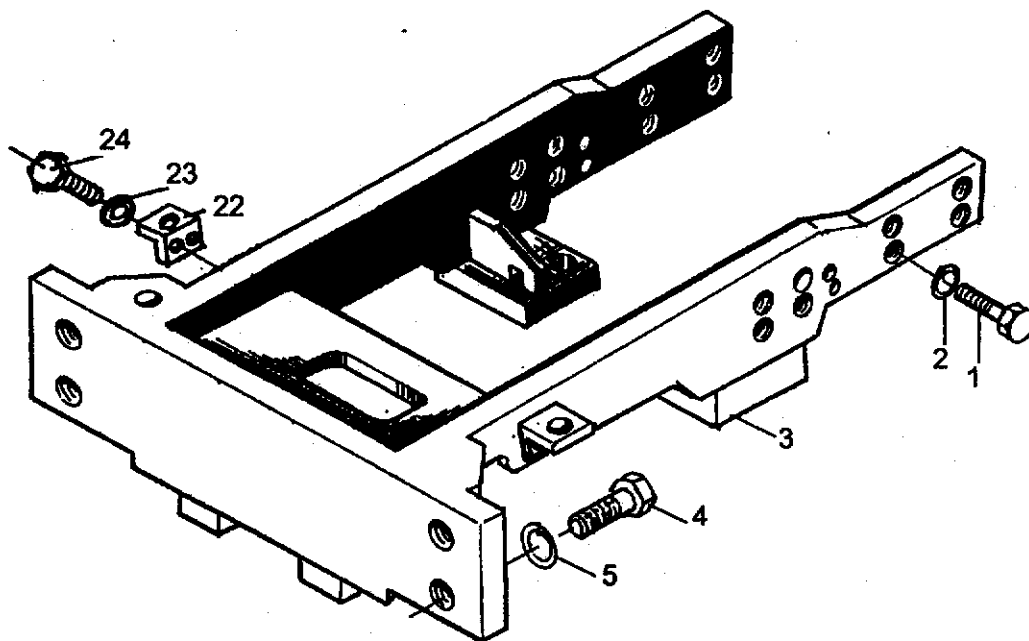
33. 过桥中间箱总成III Mid Connecting Housing AssemblyIII (爬行档) (Creeper gear)



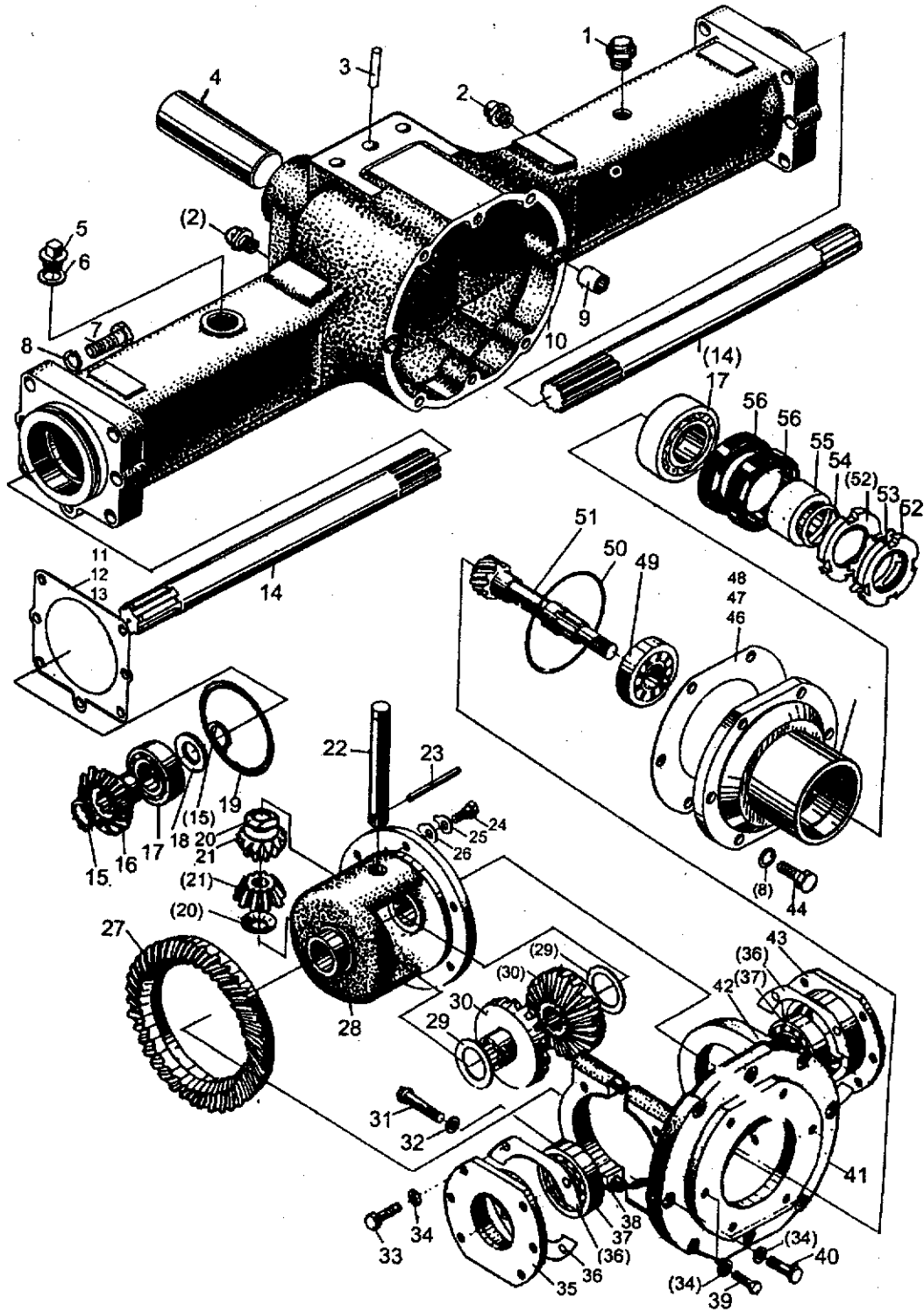
34. 过桥中间箱总成IV Mid Connecting Housing AssemblyIV (梭行档) (Shuttle gear)



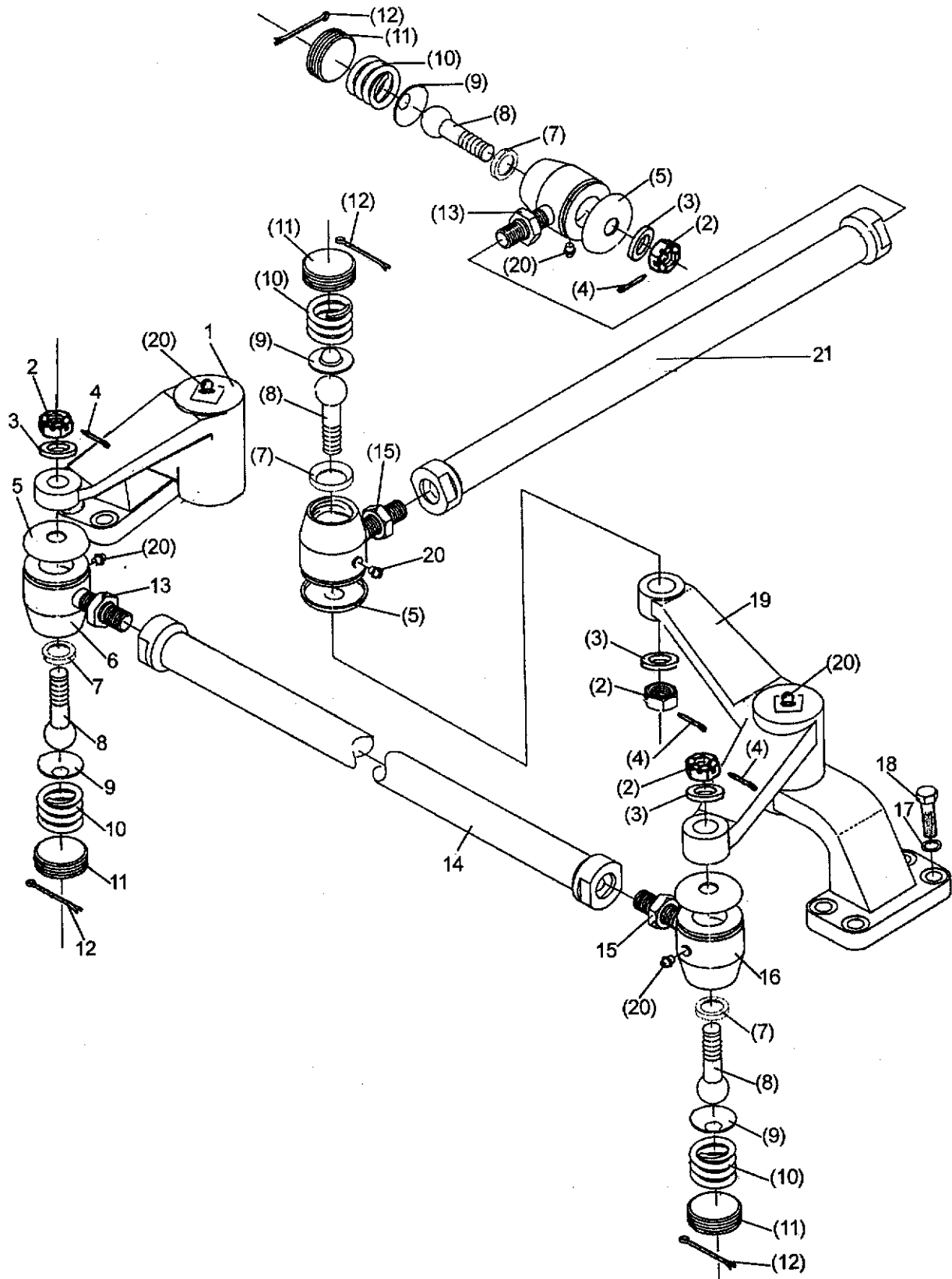
40. 托架总成 I Bracket Assembly I



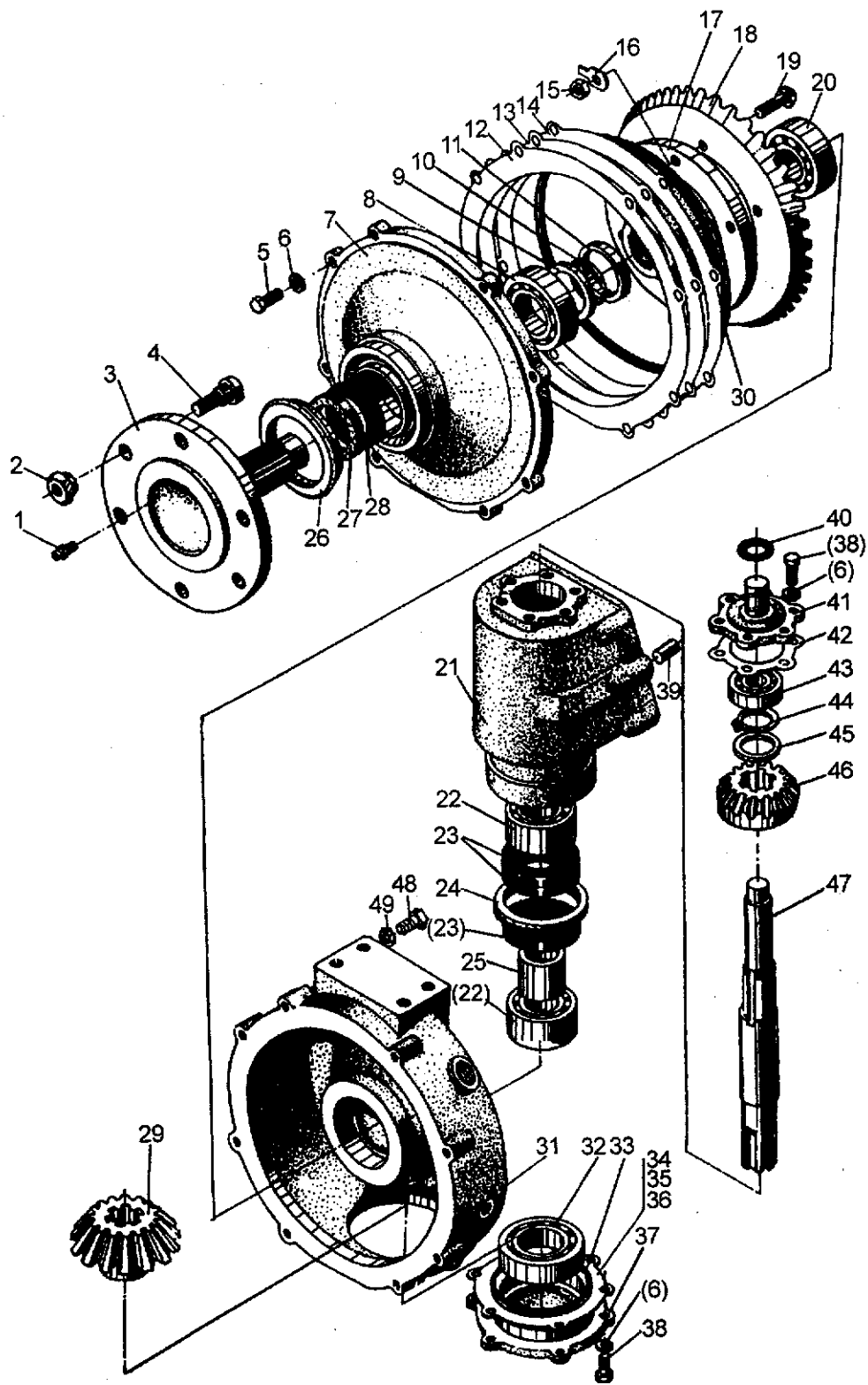
42. 前驱动桥中央传动 Front Drive Axle Main Driveling



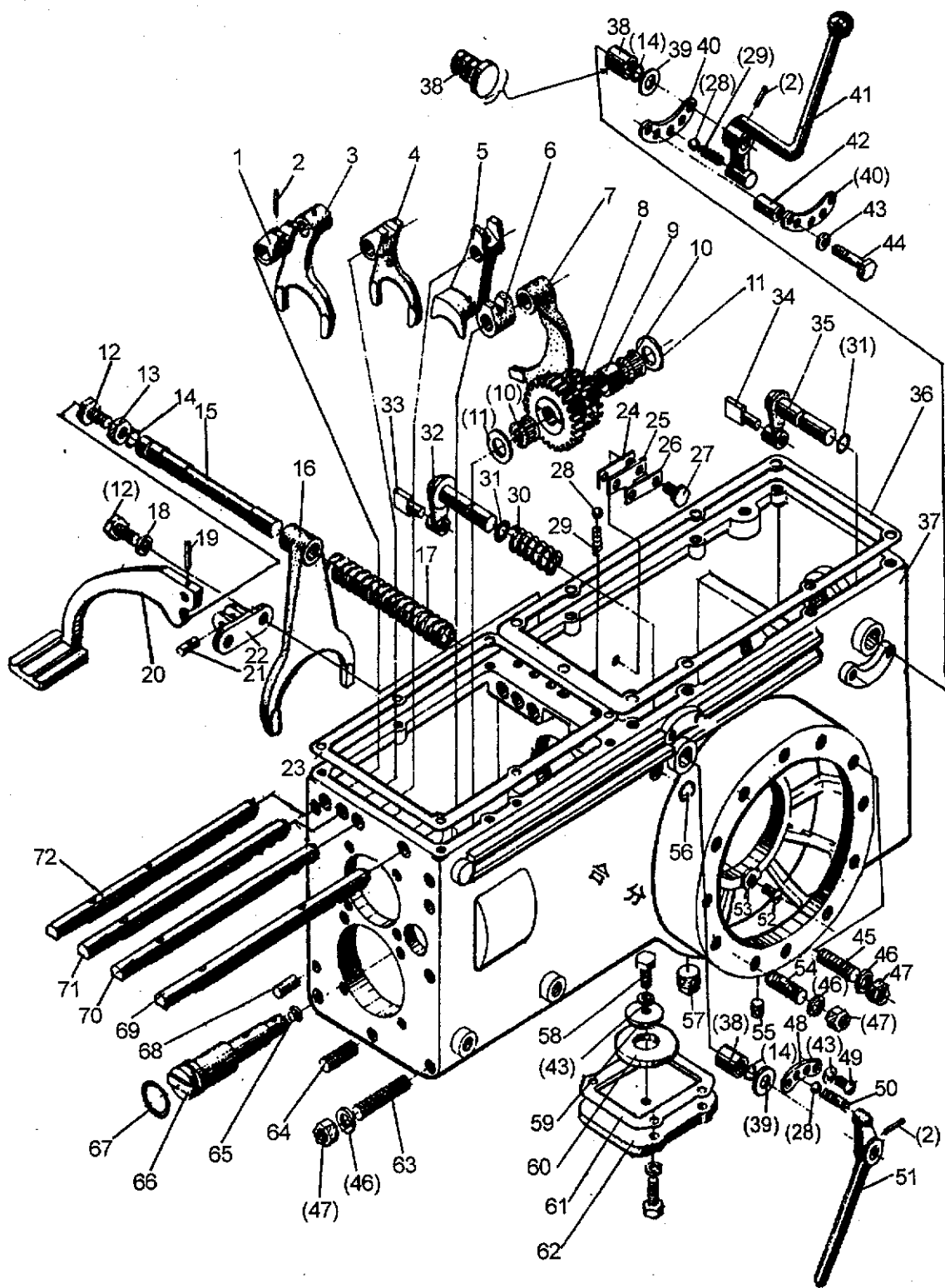
43. 转向拉杆总成 Steering Pull-rod Assembly



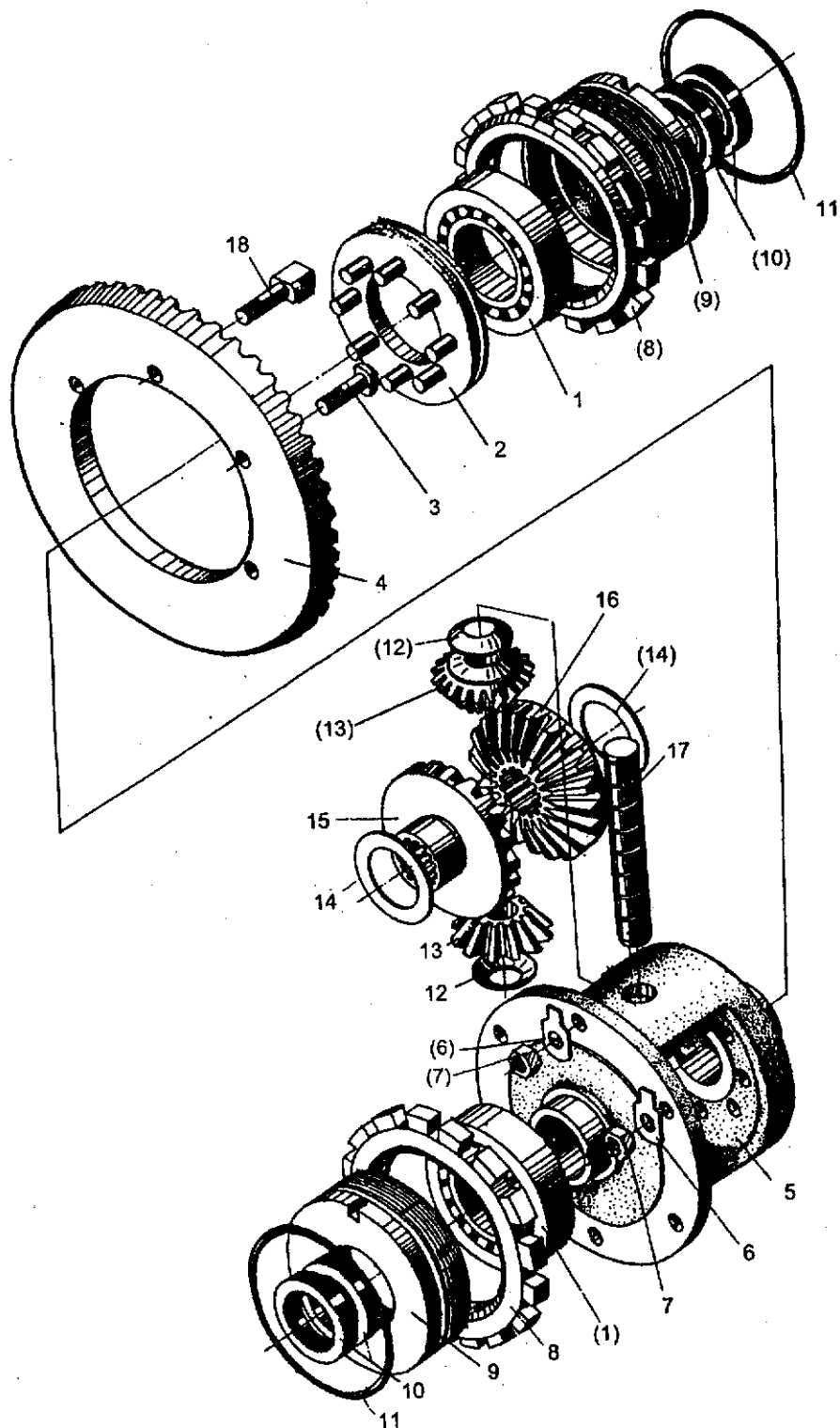
44. 前驱动桥侧传动 Front Driving Axle Side Driveling



50. 传动箱总成 Transmission Box Assembly



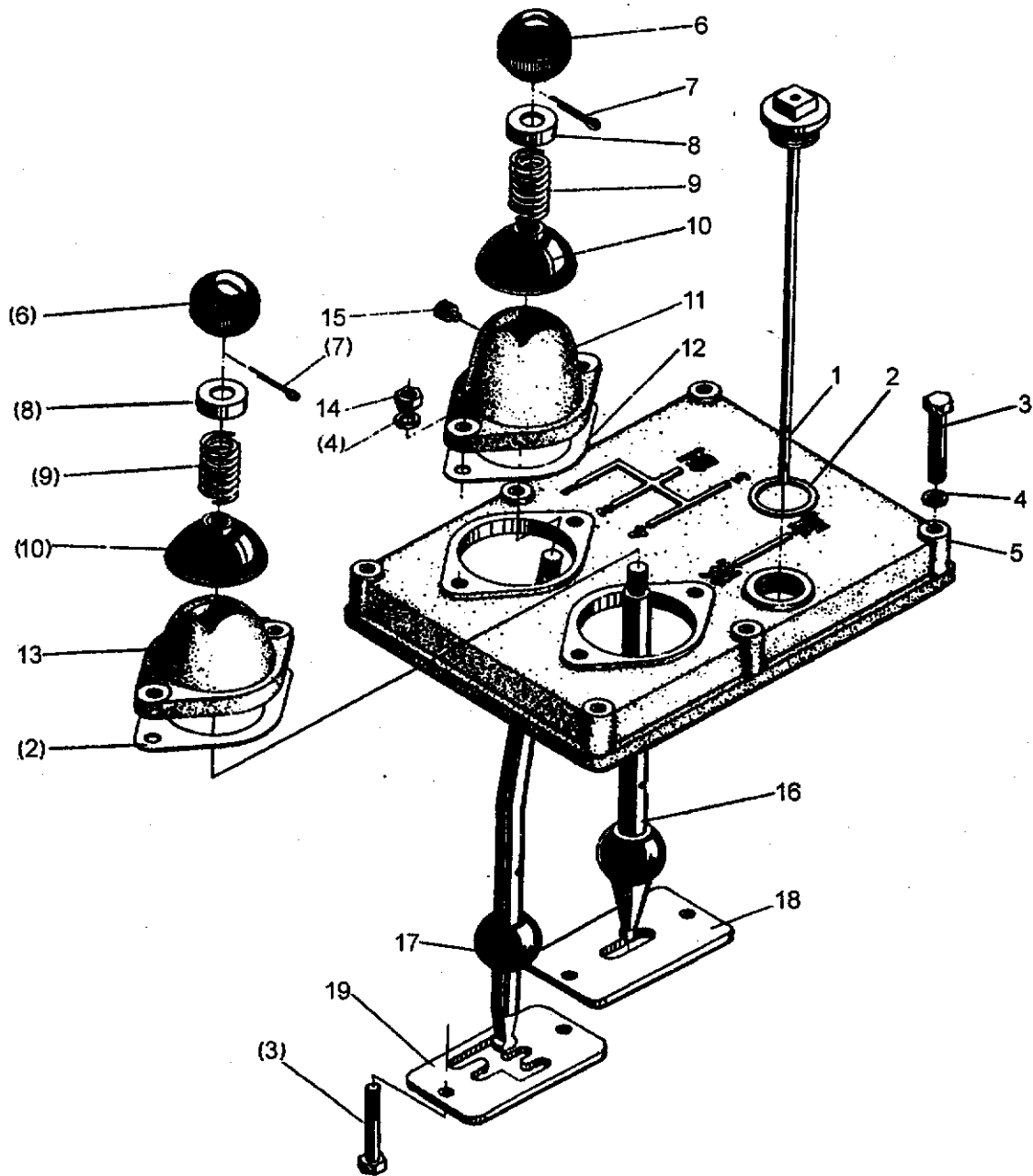
51. 差速器总成 Differential Assembly



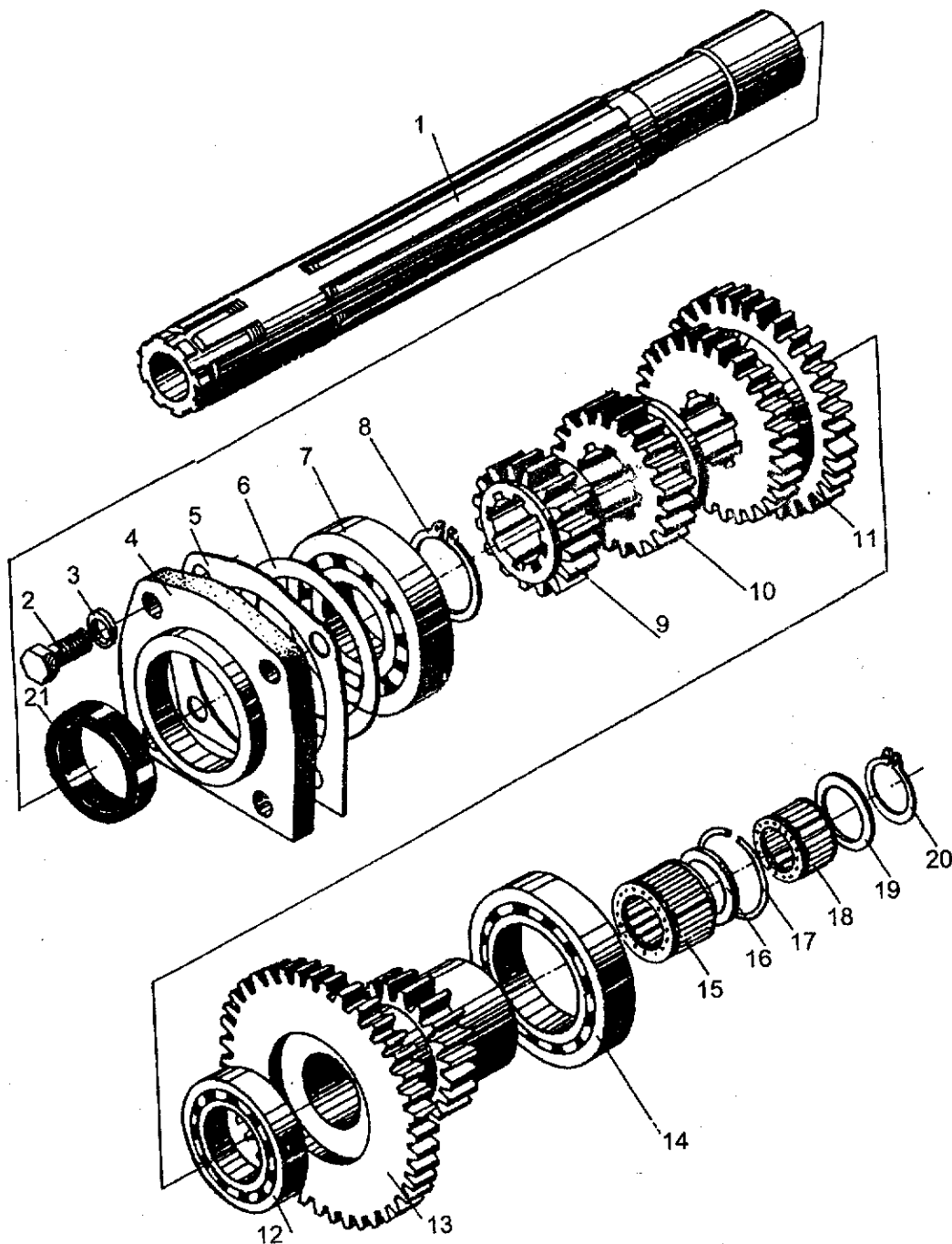
50. 传动箱总成 Transmission Box Assembly

序号 Ser. No.	图号 Parts No	名称	Name of parts	数量 Qty														
				TS250X	TS250	TS250T	TS254X	TS280X	TS280	TS280T	TS284X	TS300BX	TS300B	TS300BT	TS304BX	TS300X	TS300T	
60	520.21.154	磁铁	Magnet	1	1	1	1	1	1	1	1	1	1	1	1	1	1	1
61	25.37.217	磁铁盖纸垫	Magnetic cover gasket	1	1	1	1	1	1	1	1	1	1	1	1	1	1	1
62	25.37.214-1	磁铁端盖	Magnetic cover	1	1	1	1	1	1	1	1	1	1	1	1	1	1	1
63	GB898-88	螺柱AM14×1.5×70-Zn.D	Stud AM14×1.5×70-Zn.D	2	2	2	2	2	2	2	2	2	2	2	2	2	2	2
64	GB898-88	螺柱AM14×1.5×40-zn.D	Stud AM14×1.5×40-Zn.D	5	5	5	5	5	5	5	5	5	5	5	5	5	5	5
65	25.37.219	倒档轴堵塞	Reverse gear shaft stopper	1	1	1	1	1	1	1	1	1	1	1	1	1	1	1
66	25.37.120	倒档轴	Reverse gear shaft	1	1	1	1	1	1	1	1	1	1	1	1	1	1	1
67	GB1235-76	O形密封圈32×3.1	O-ring seal 32×3.1	1	1	1	1	1	1	1	1	1	1	1	1	1	1	1
68	GB119-86	圆柱销D12×24	Parallel pin D12×24	2	2	2	2	2	2	2	2	2	2	2	2	2	2	2
69	25.37.129-1	高低档拨叉轴	High-low gear shifting fork shaft	1	1	1	1	1	1	1	1	1	1	1	1	1	1	1
70	25.37.126	I档拨叉轴	I gear shifting fork shaft	1	1	1	1	1	1	1	1	1	1	1	1	1	1	1
71	25.37.127	II-倒档拨叉轴	II-reverse gear shifting fork shaft	1	1	1	1	1	1	1	1	1	1	1	1	1	1	1
72	25.37.128	III-IV档拨叉轴	III-IV gear shifting fork shaft	1	1	1	1	1	1	1	1	1	1	1	1	1	1	1

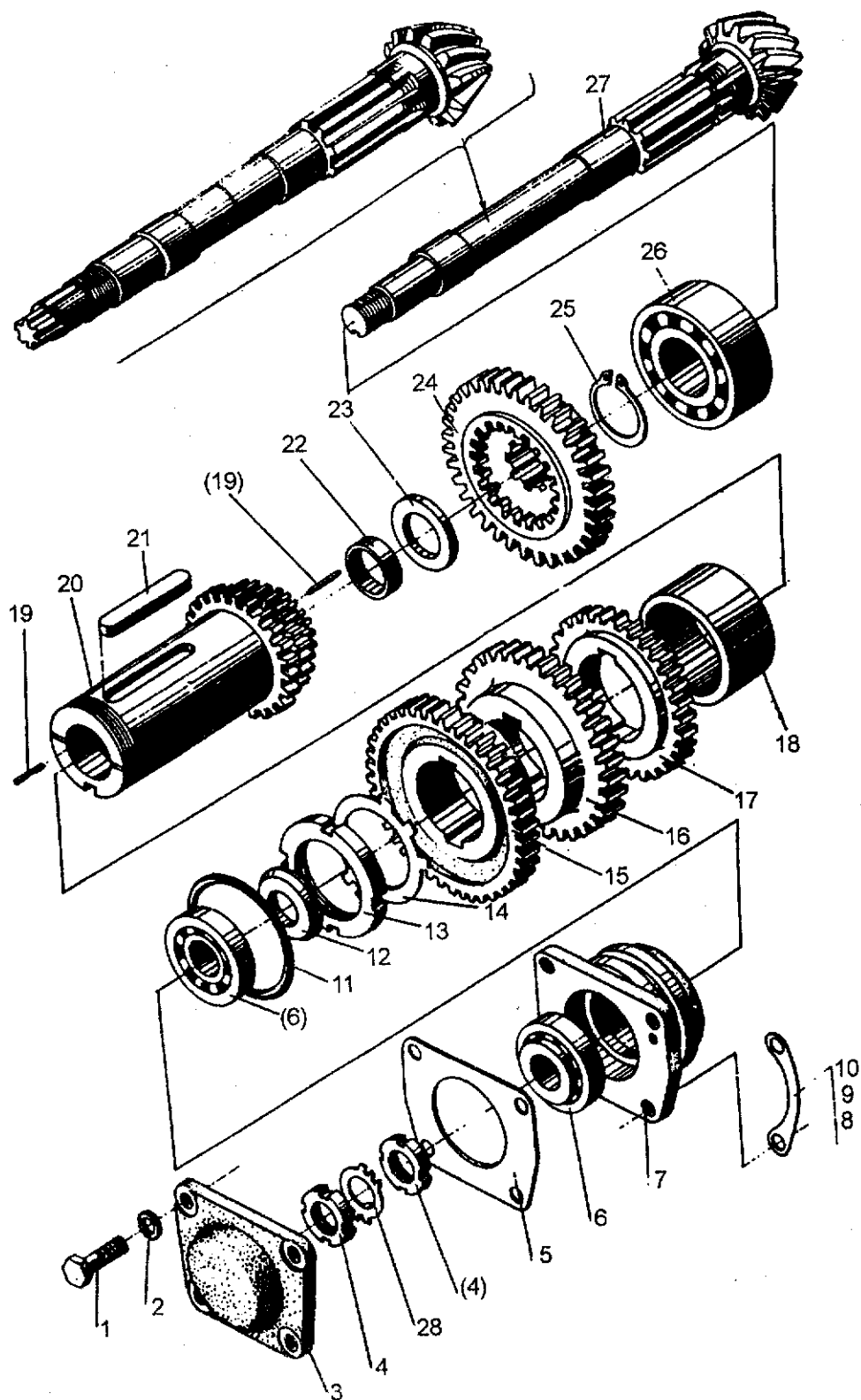
52. 变速箱盖总成 Transmission Box Cover Assembly



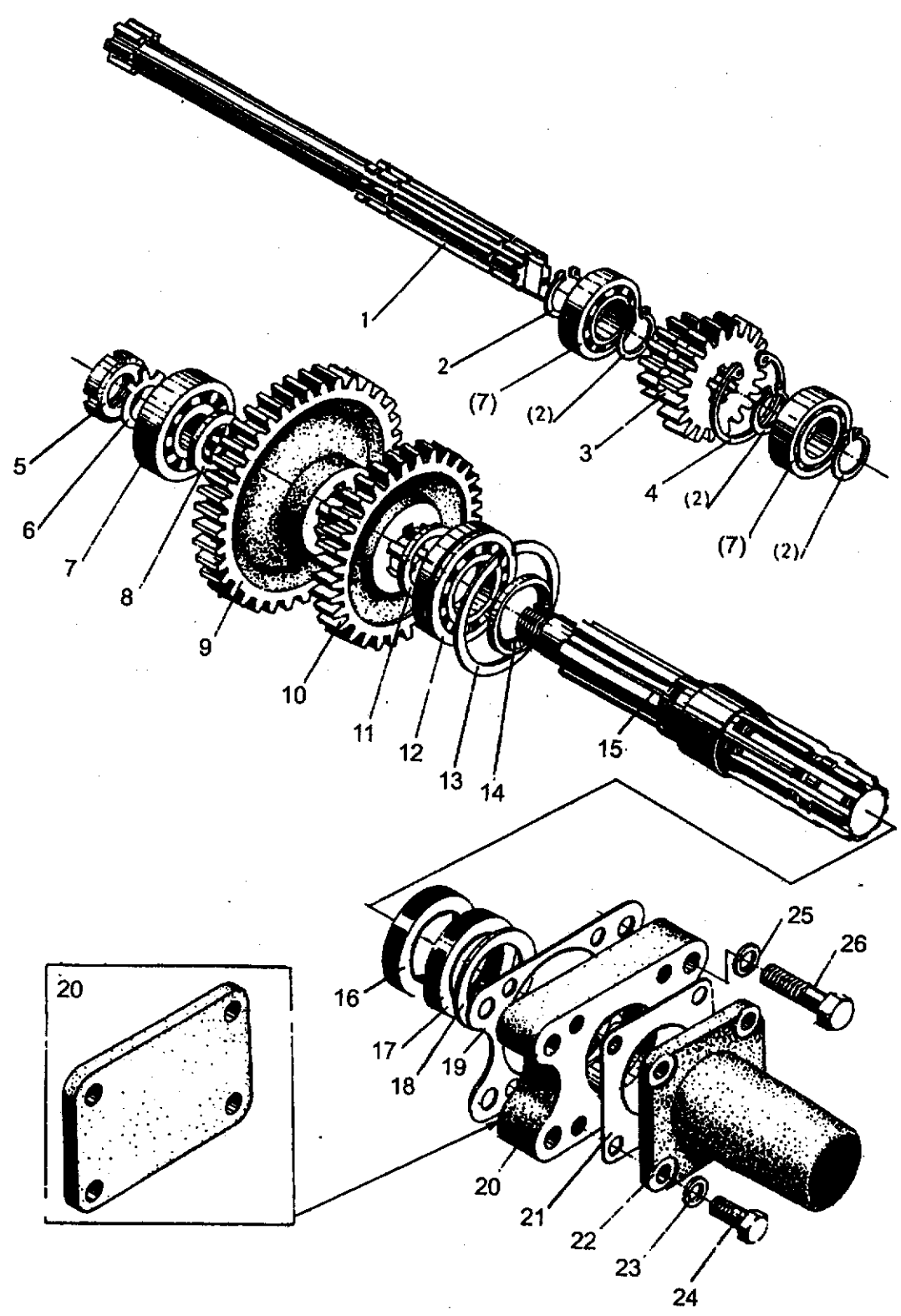
54. 变速箱 I 轴-II Transmission Shaft I Assembly-II
(双作用离合器) (Dual-stage clutch)



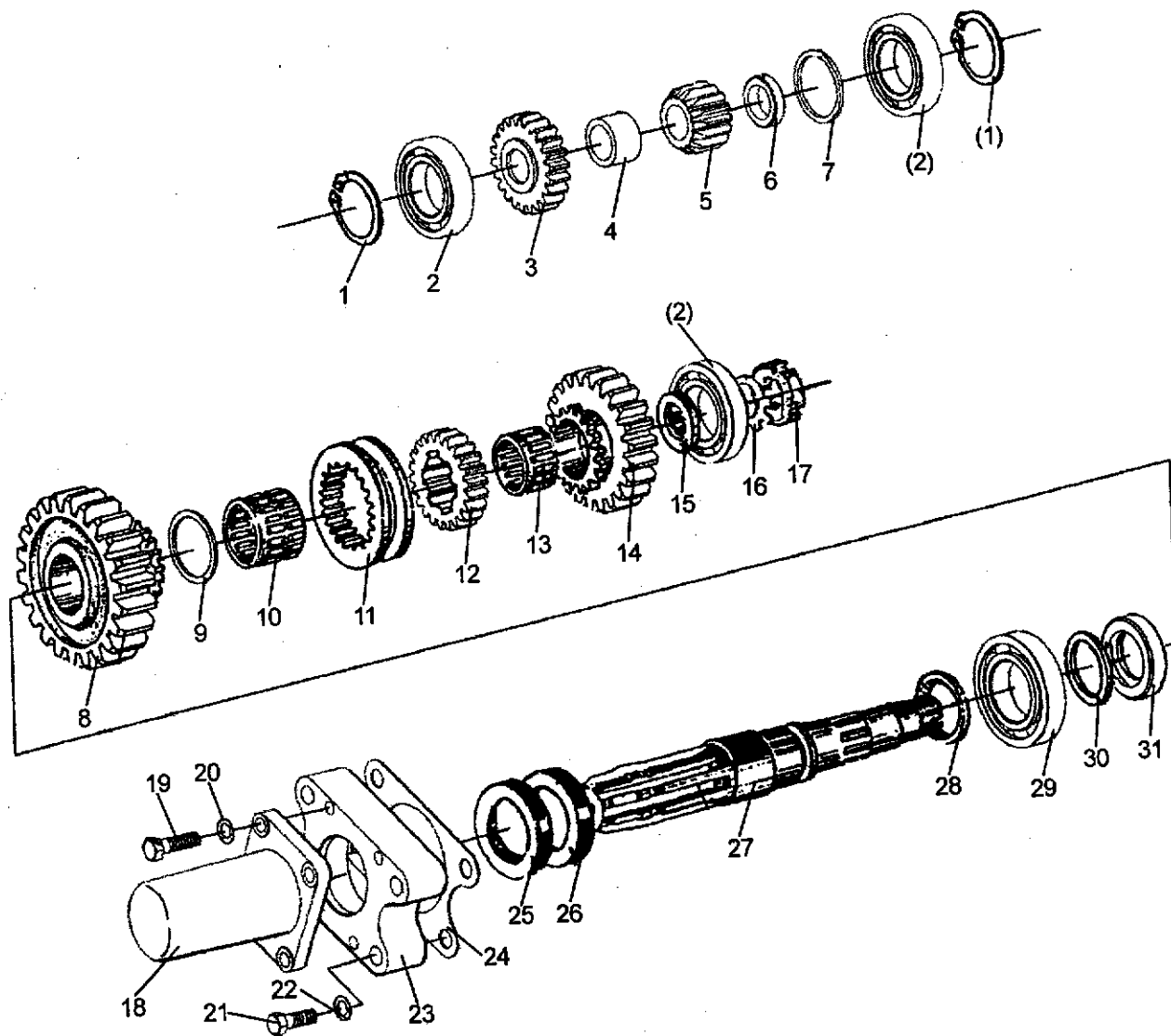
55. 变速箱 II 轴 Transmission Shaft II Assembly



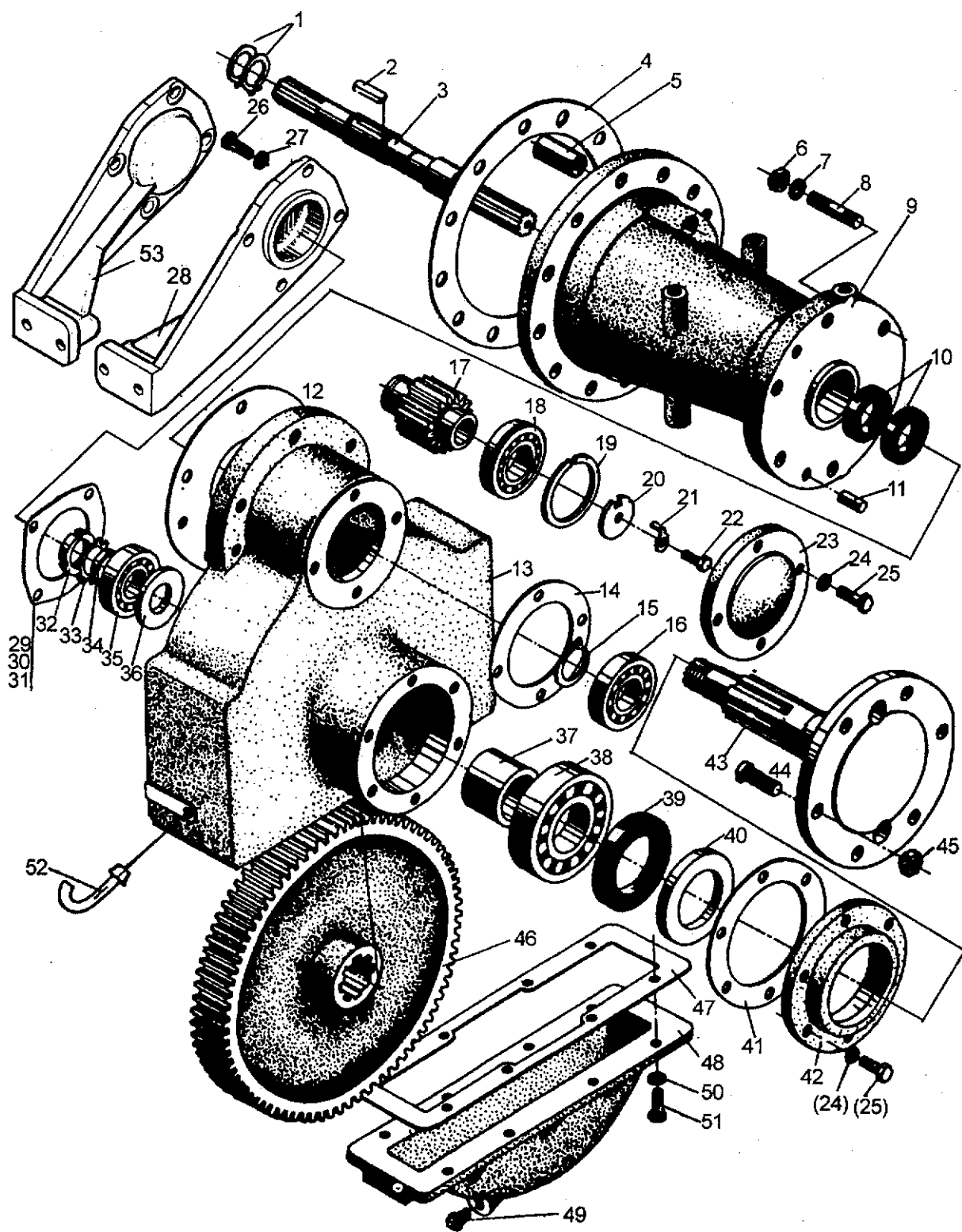
56. 动力输出轴总成 I Power Take-Off Shaft Assembly I



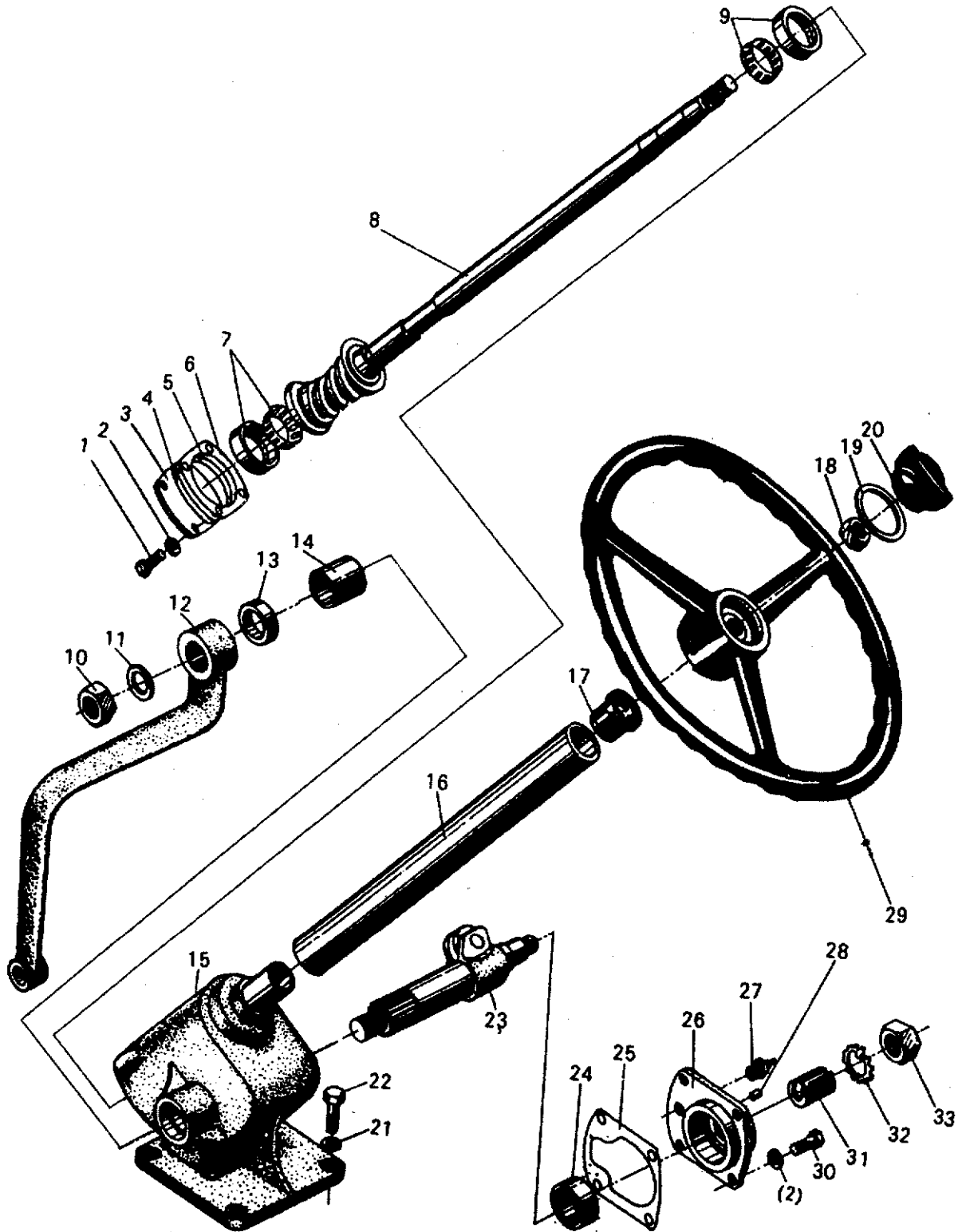
57. 动力输出轴总成 II Power Take-Off Shaft Assembly II
 (带啮合套) (Shift collar)



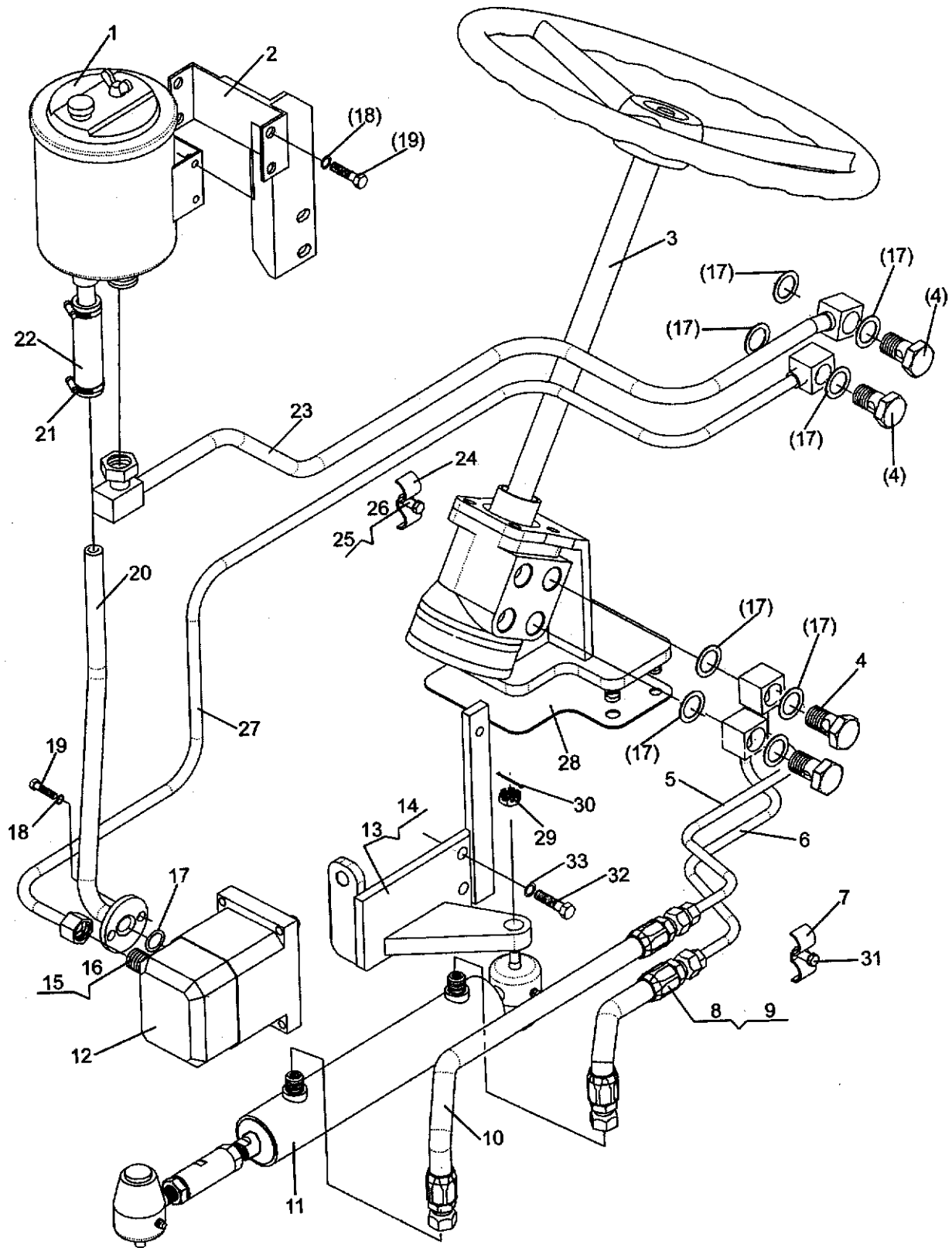
58. 最终传动总成 Final Drive Assembly



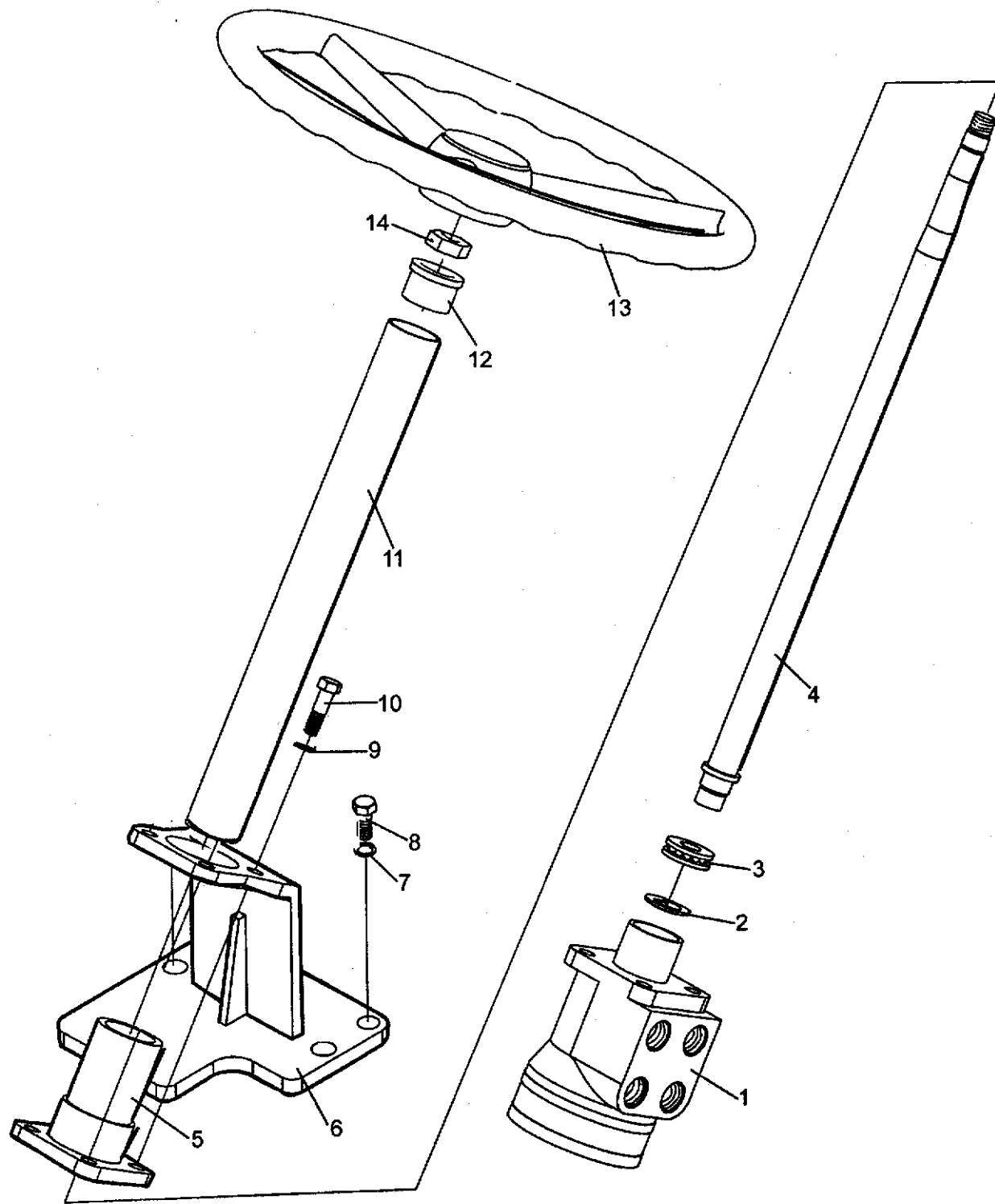
59. 转向机总成 I Steering Gear Assembly I



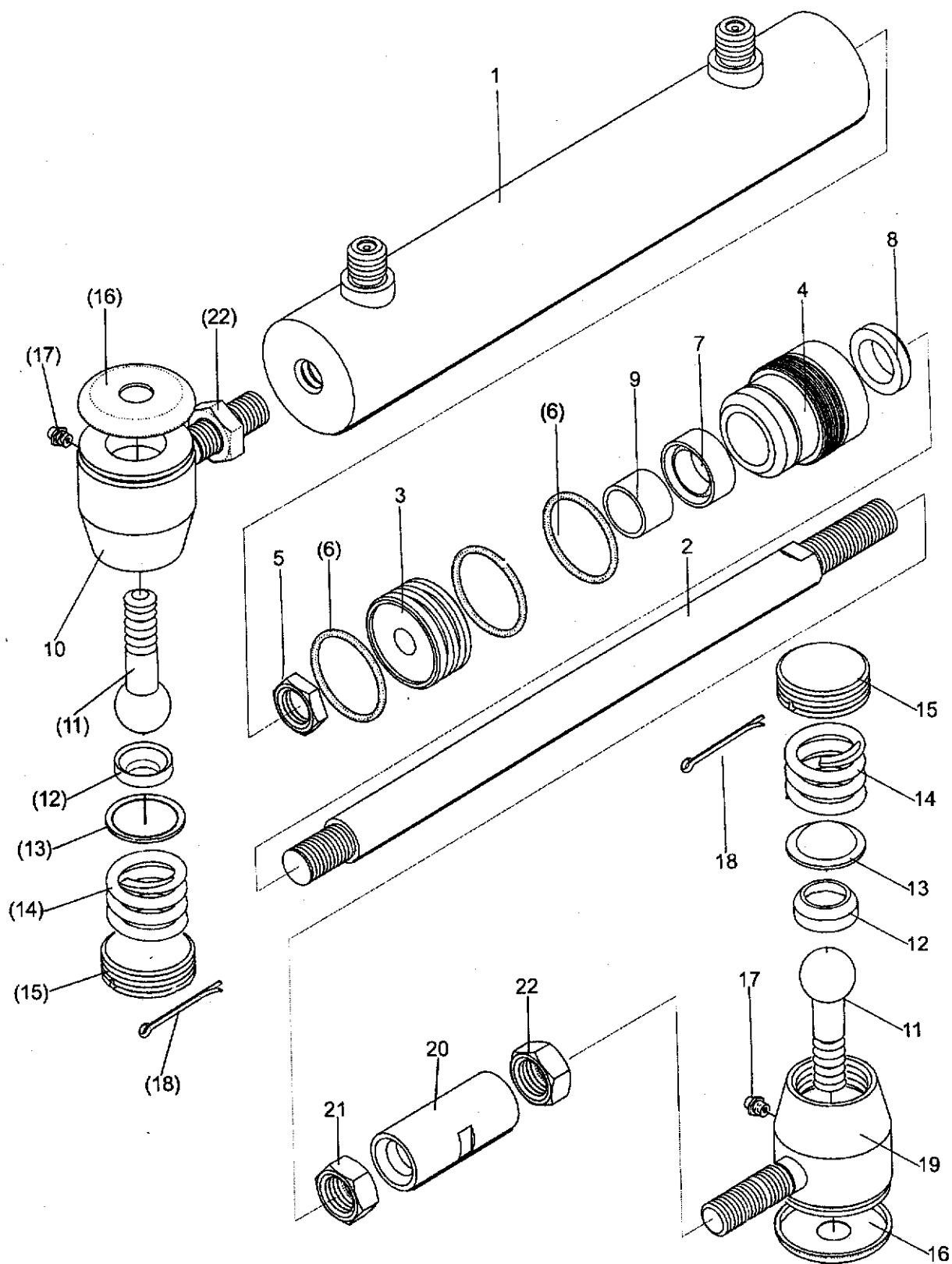
61. 液压转向系统总成 I Hydraulic Steering System I



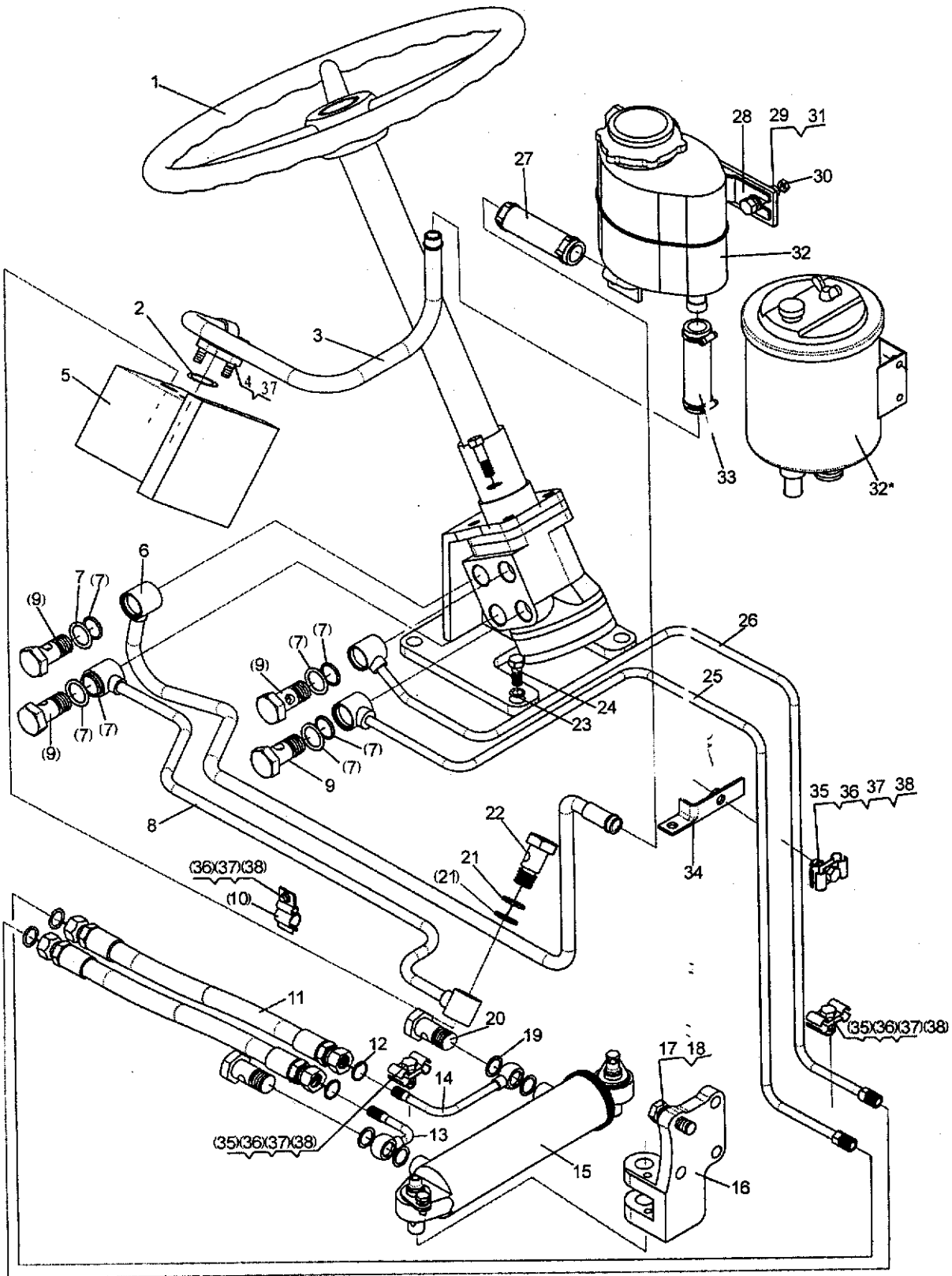
62. 液压转向器 I Hydraulic Steering Gear Assembly I



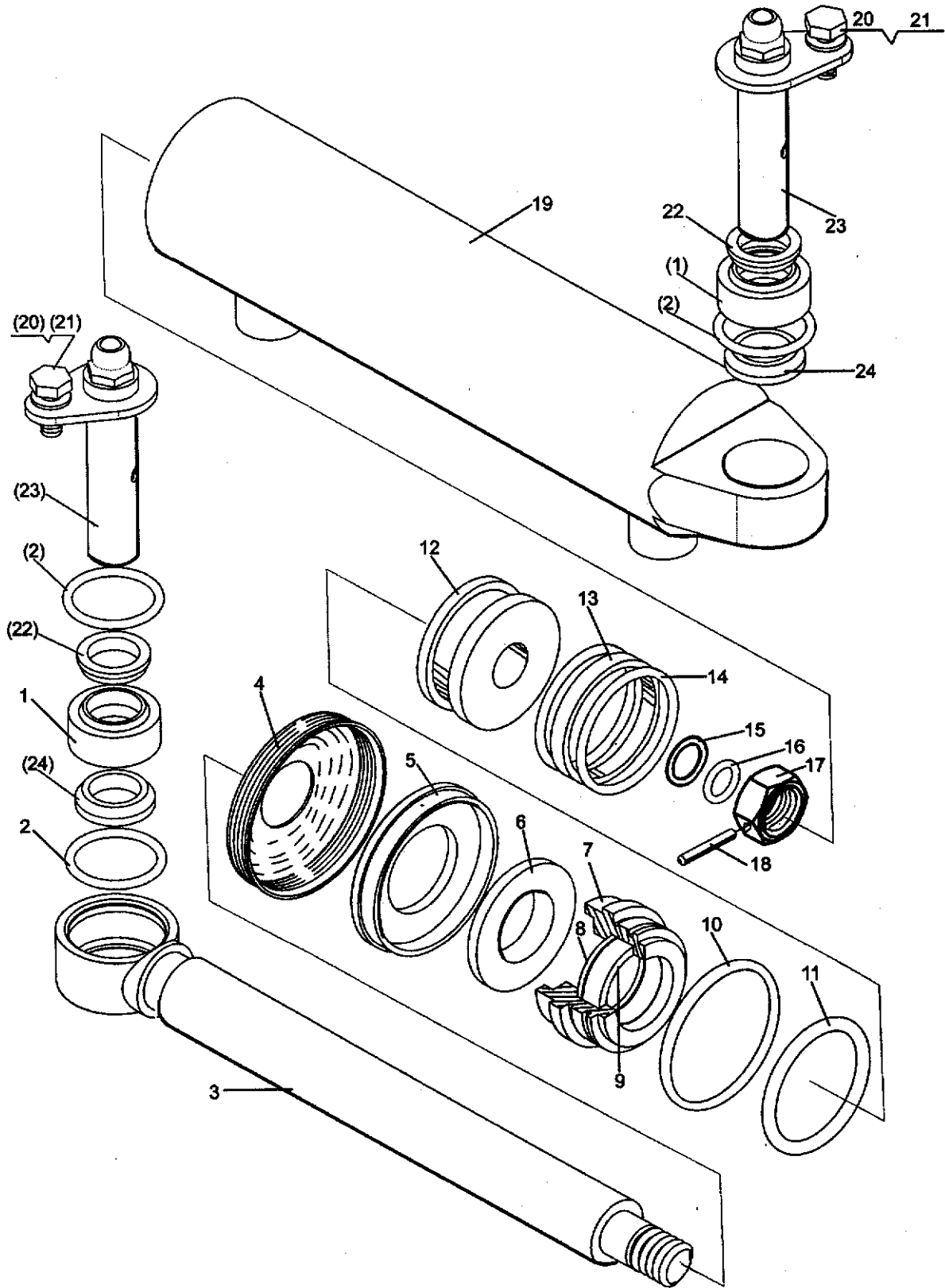
63. 转向油缸总成 I Steering Cylinder Assembly I



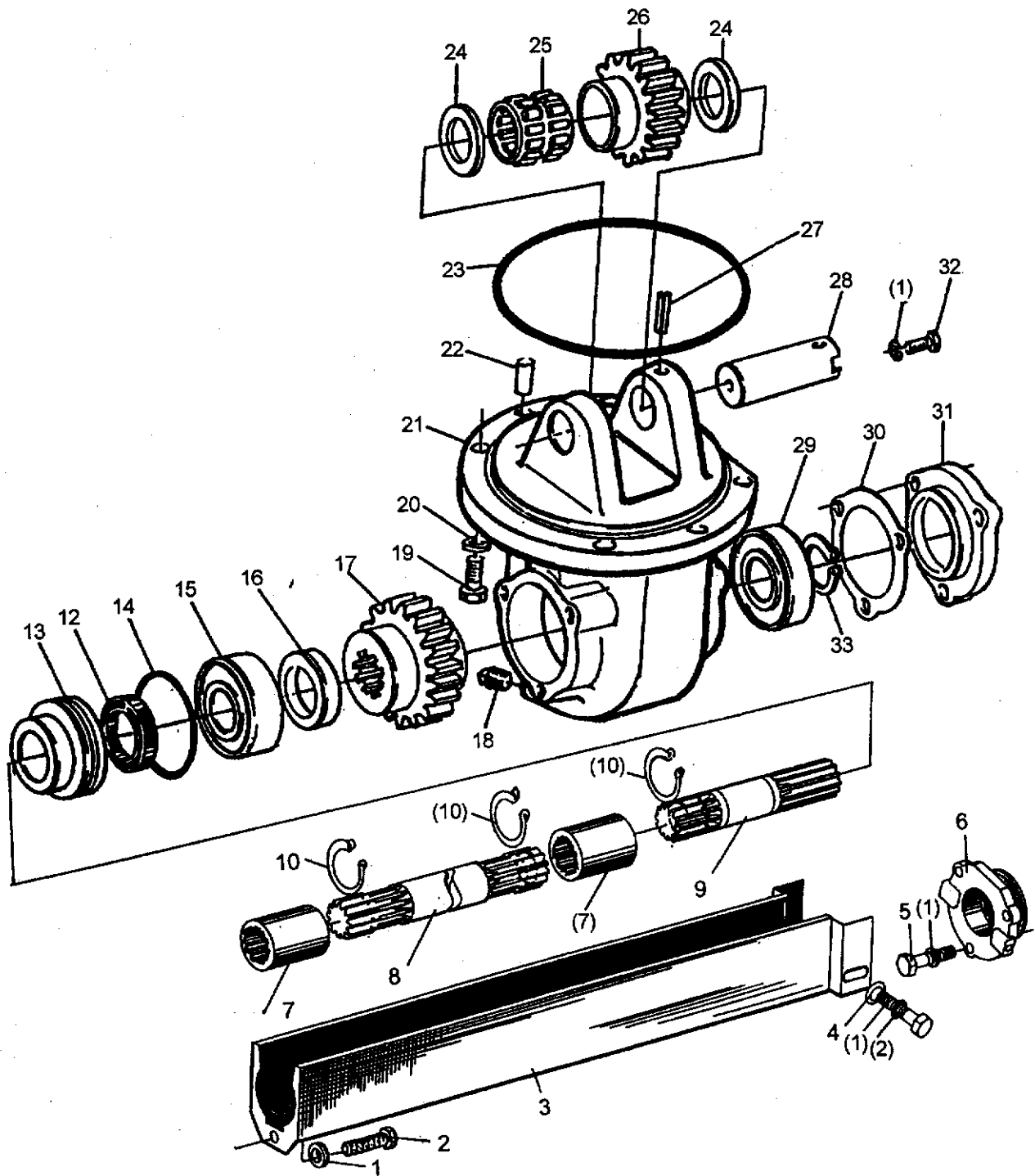
64. 液压转向系统总成 II Hydraulic Steering System II



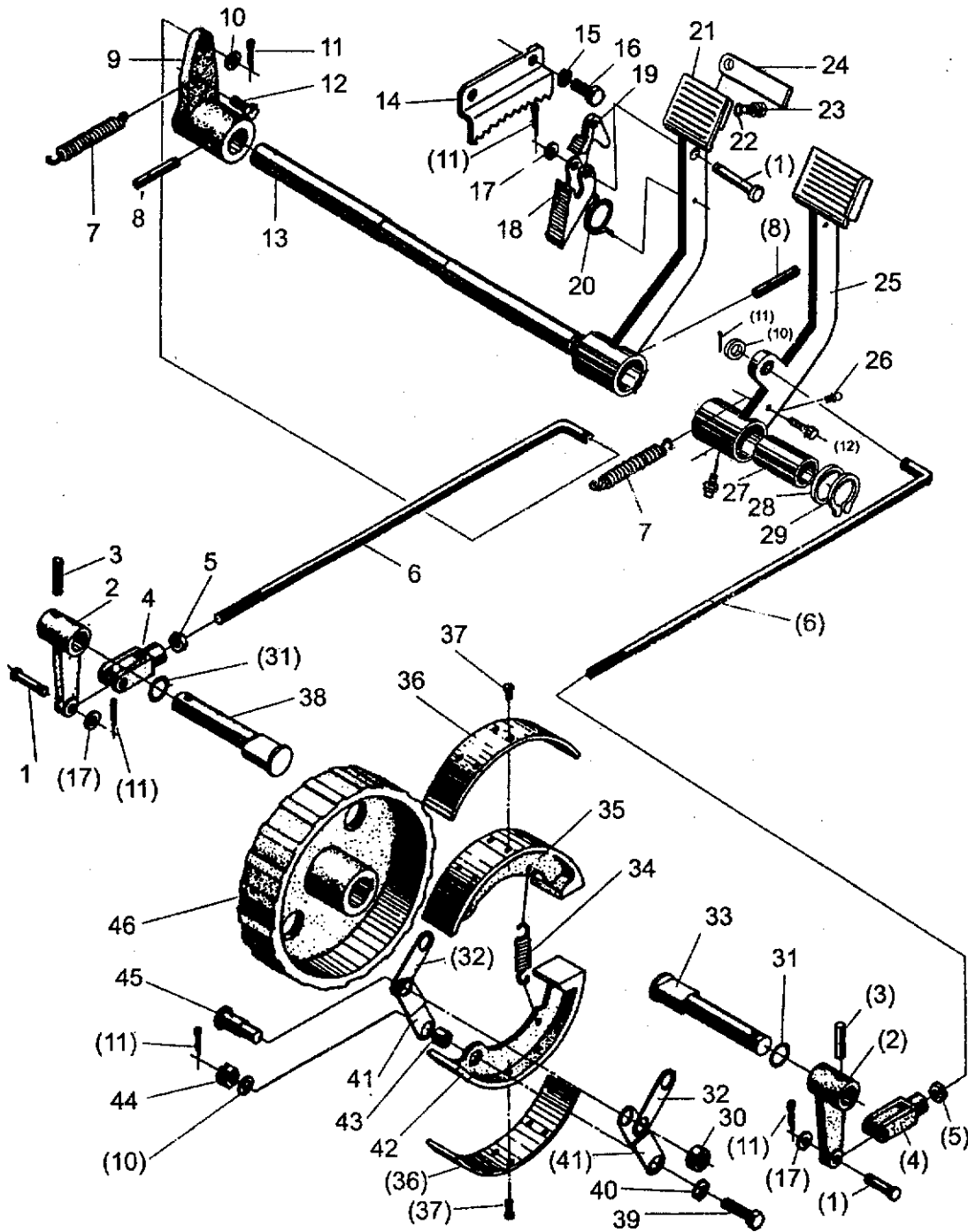
66. 转向油缸总成 II Steering Cylinder Assembly II



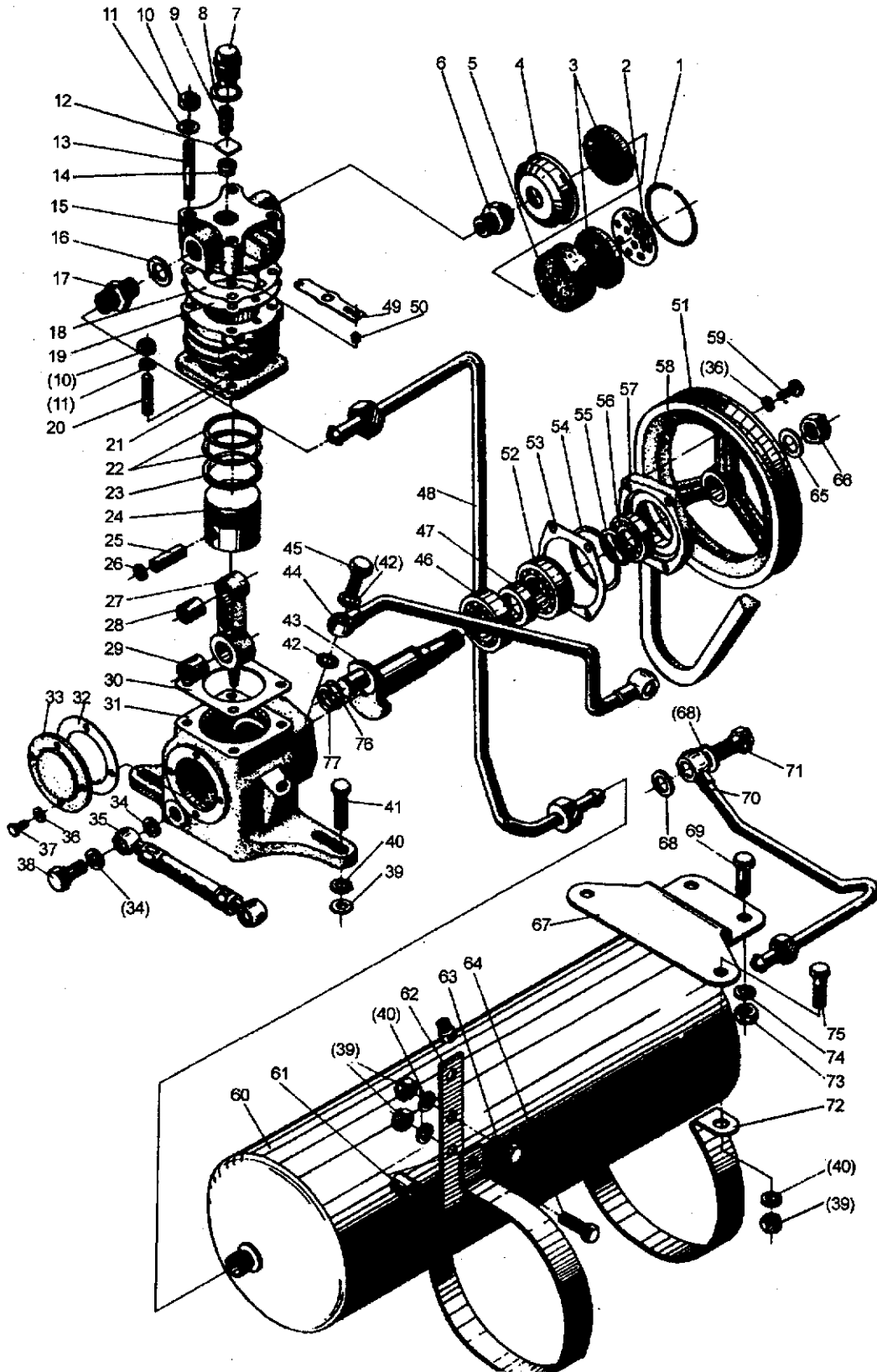
67. 分动箱传动轴总成 Transfer Case and Propeller Shaft Assembly



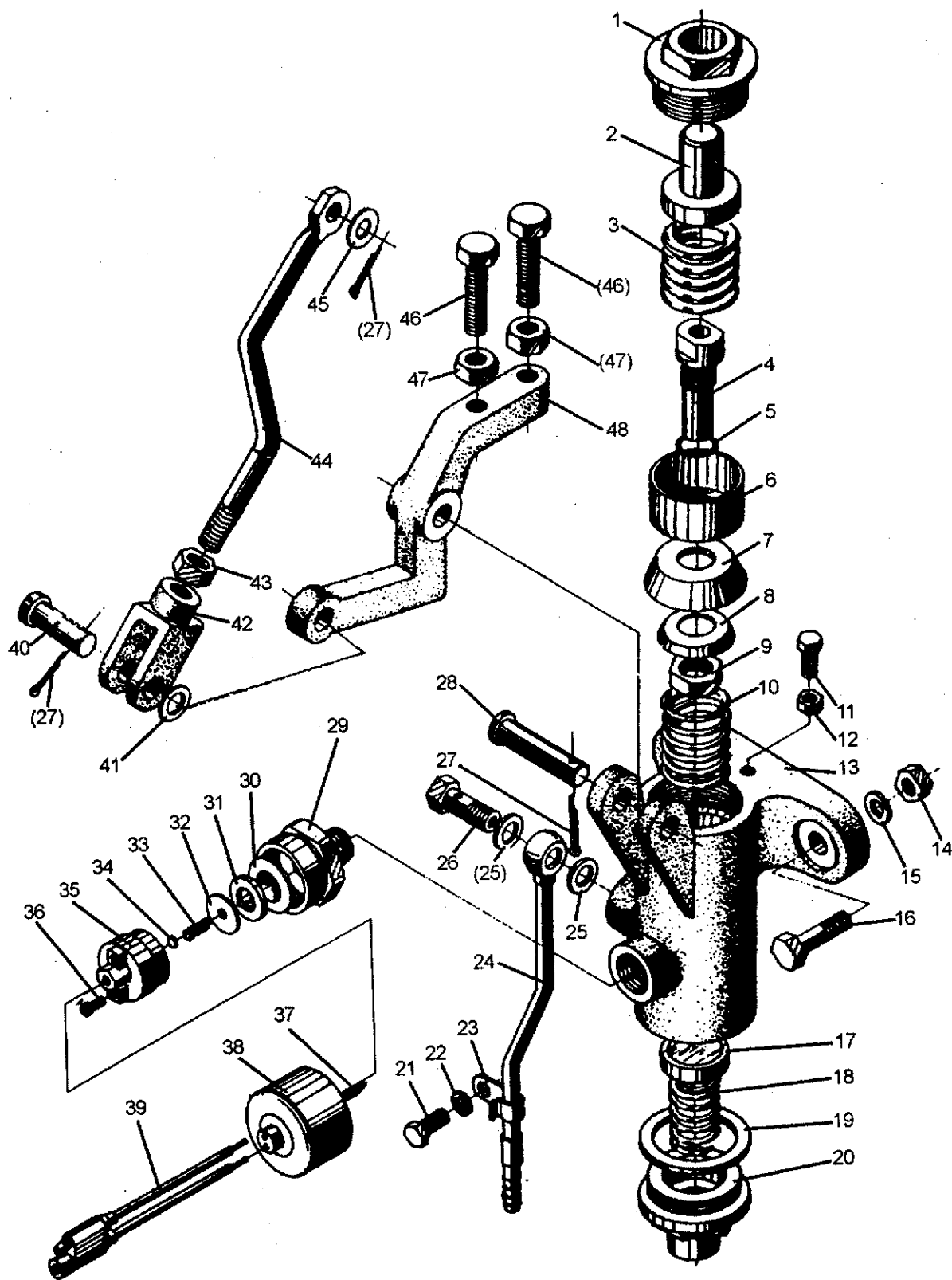
68. 制动器总成 Brake Assembly



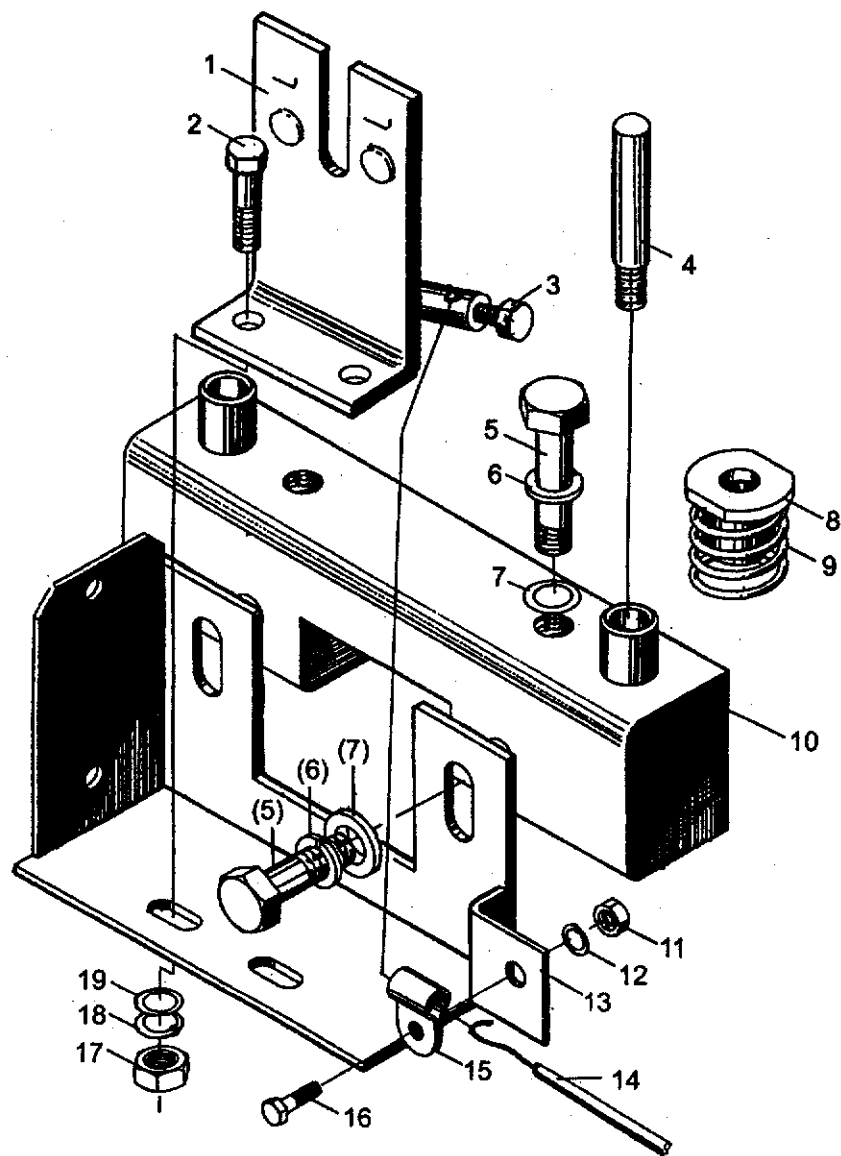
69. 气刹系统 Air Brake System



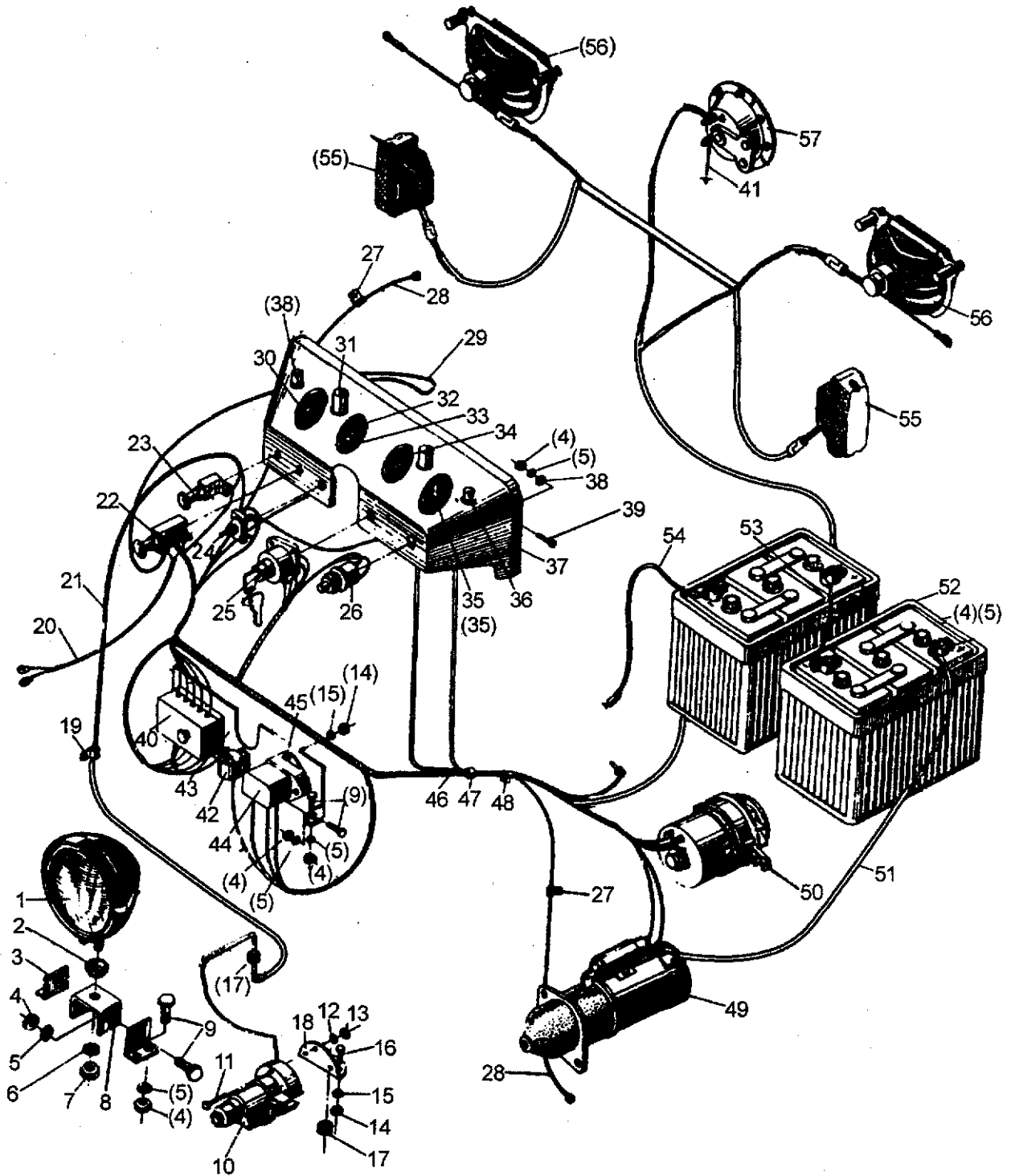
70. 气制动阀 Air Brake Valve



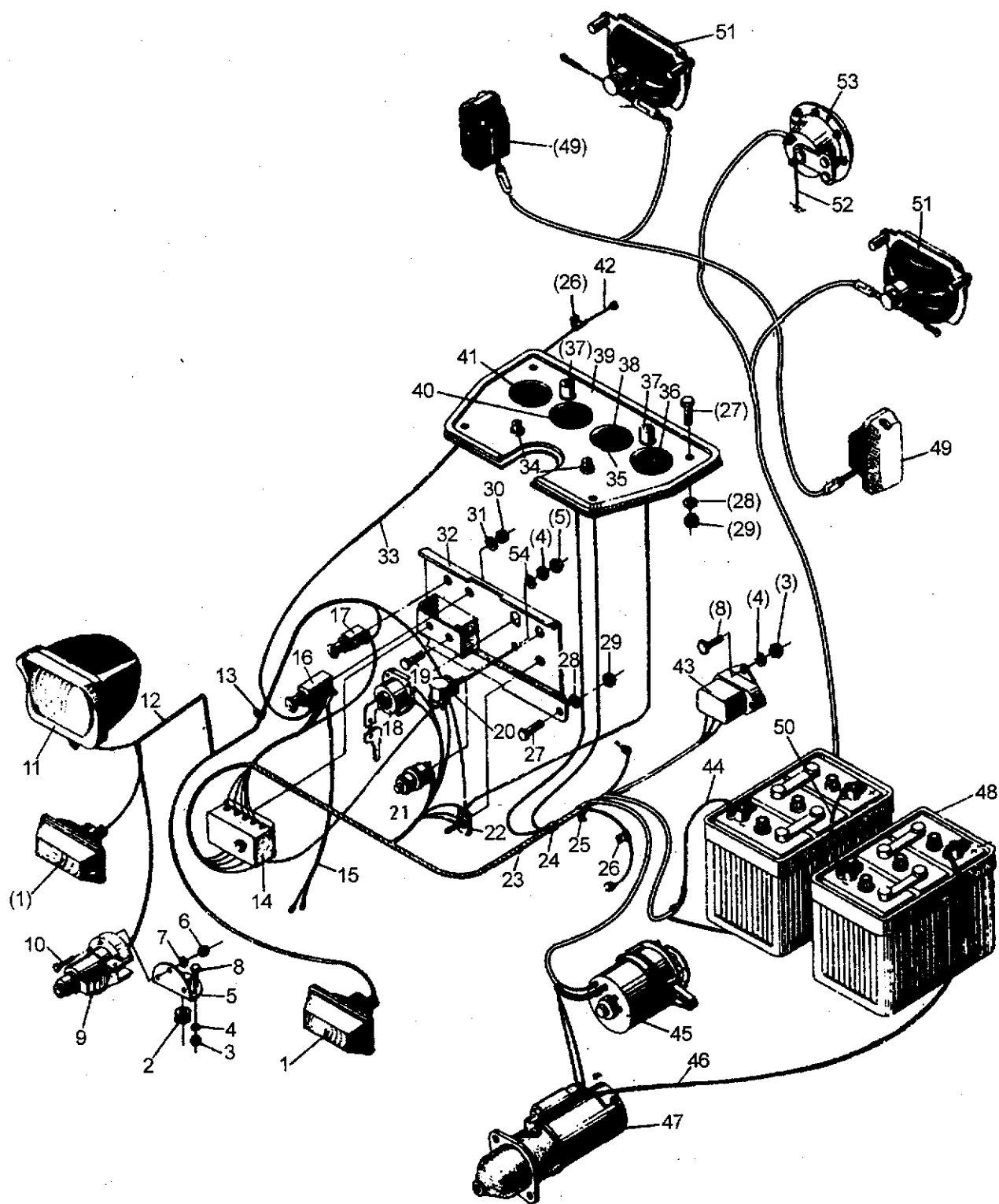
77. 锁架总成 Lock Braobet Assembly



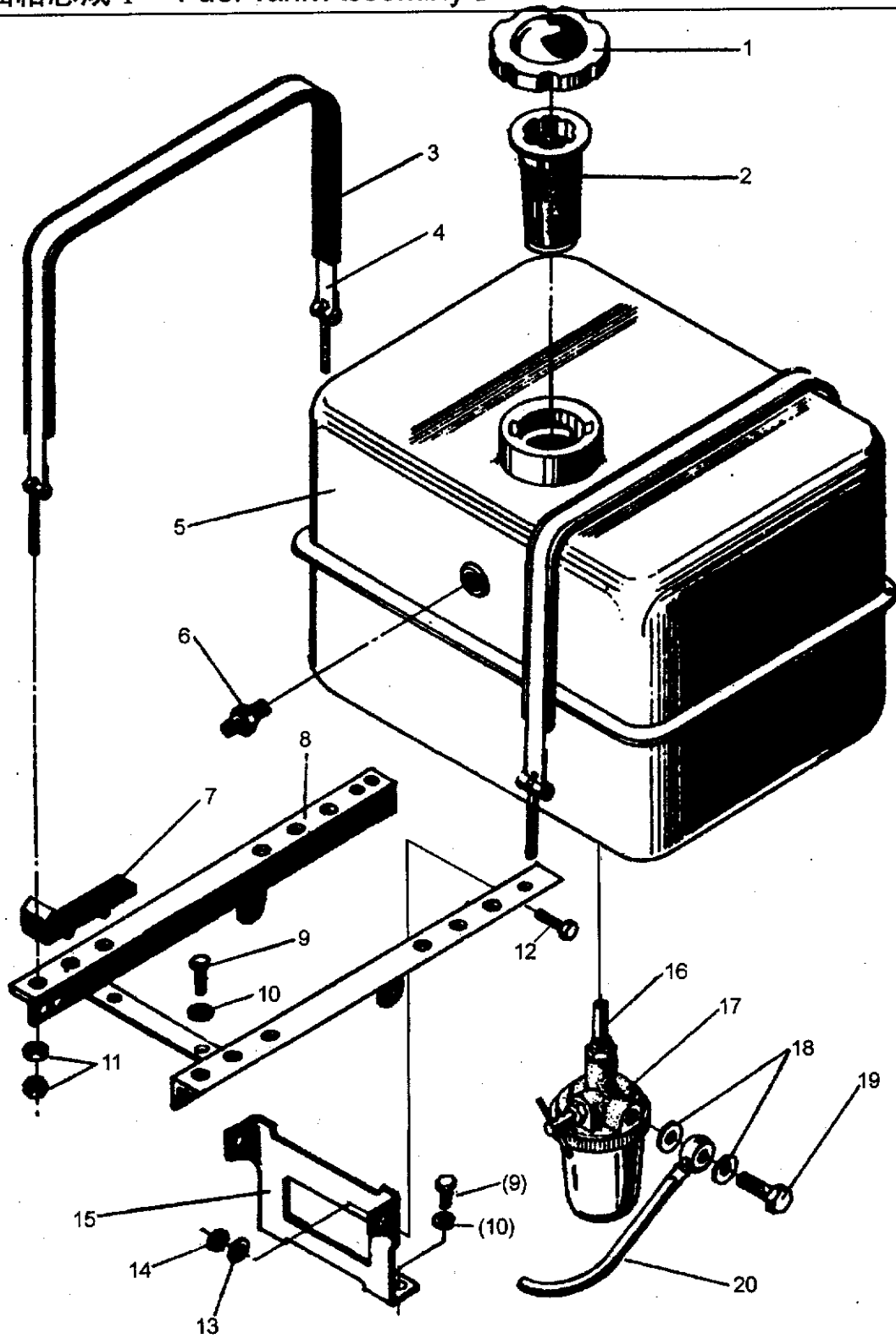
84. 电器仪表系统 I Electrical and Instrument System I



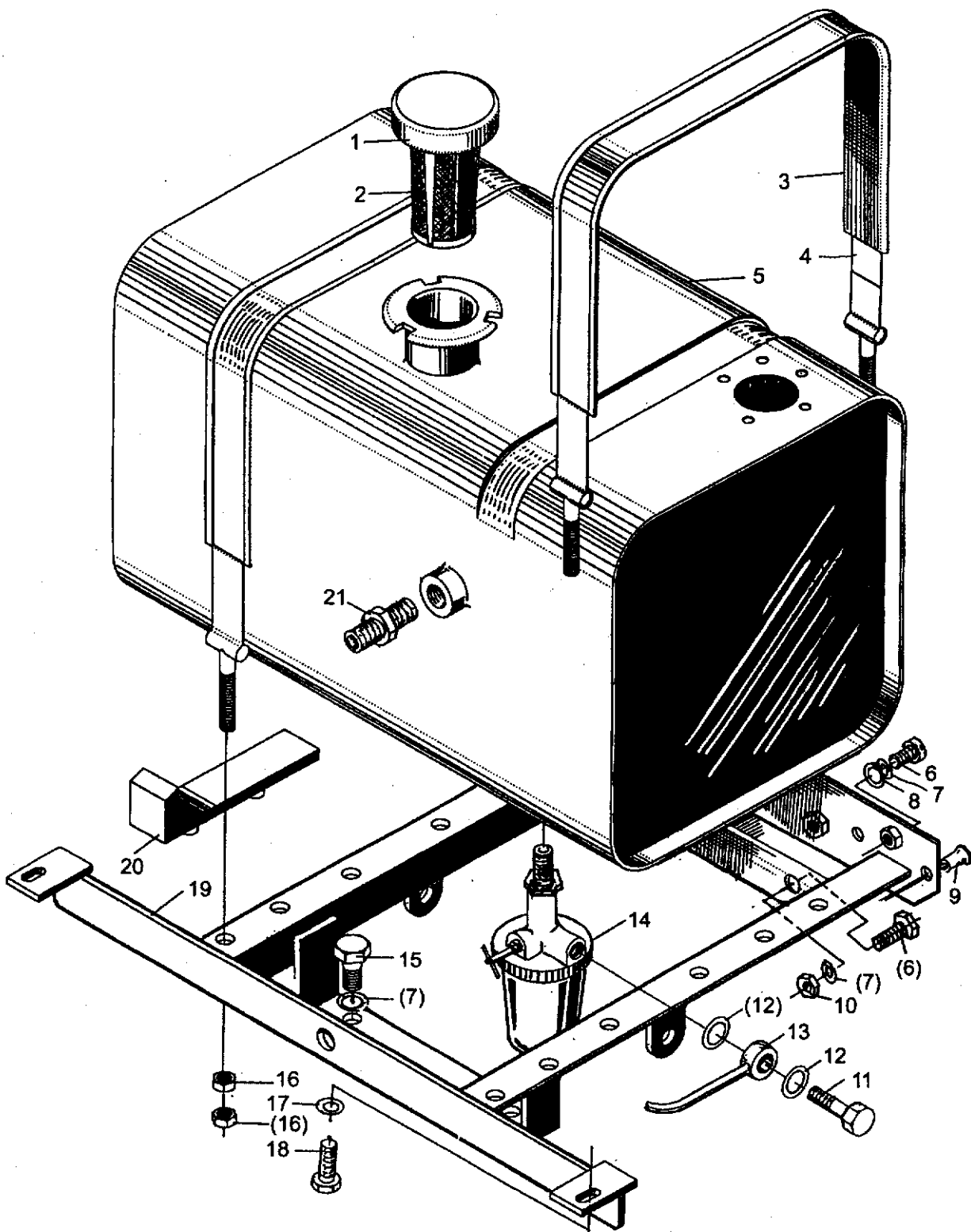
85. 电器仪表系统 II Electrical and Instrument System II



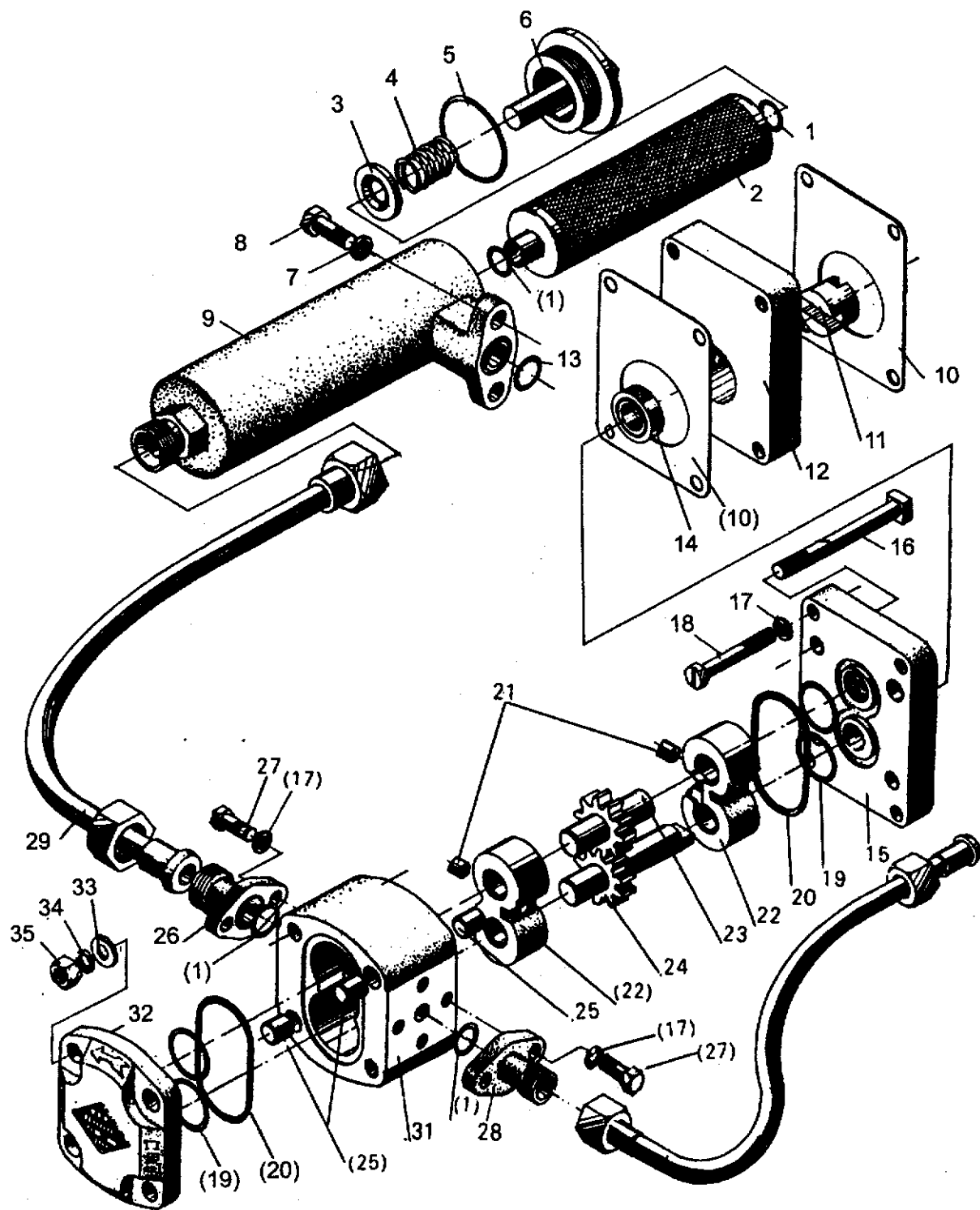
90. 燃油箱总成 I Fuel Tank Assembly I



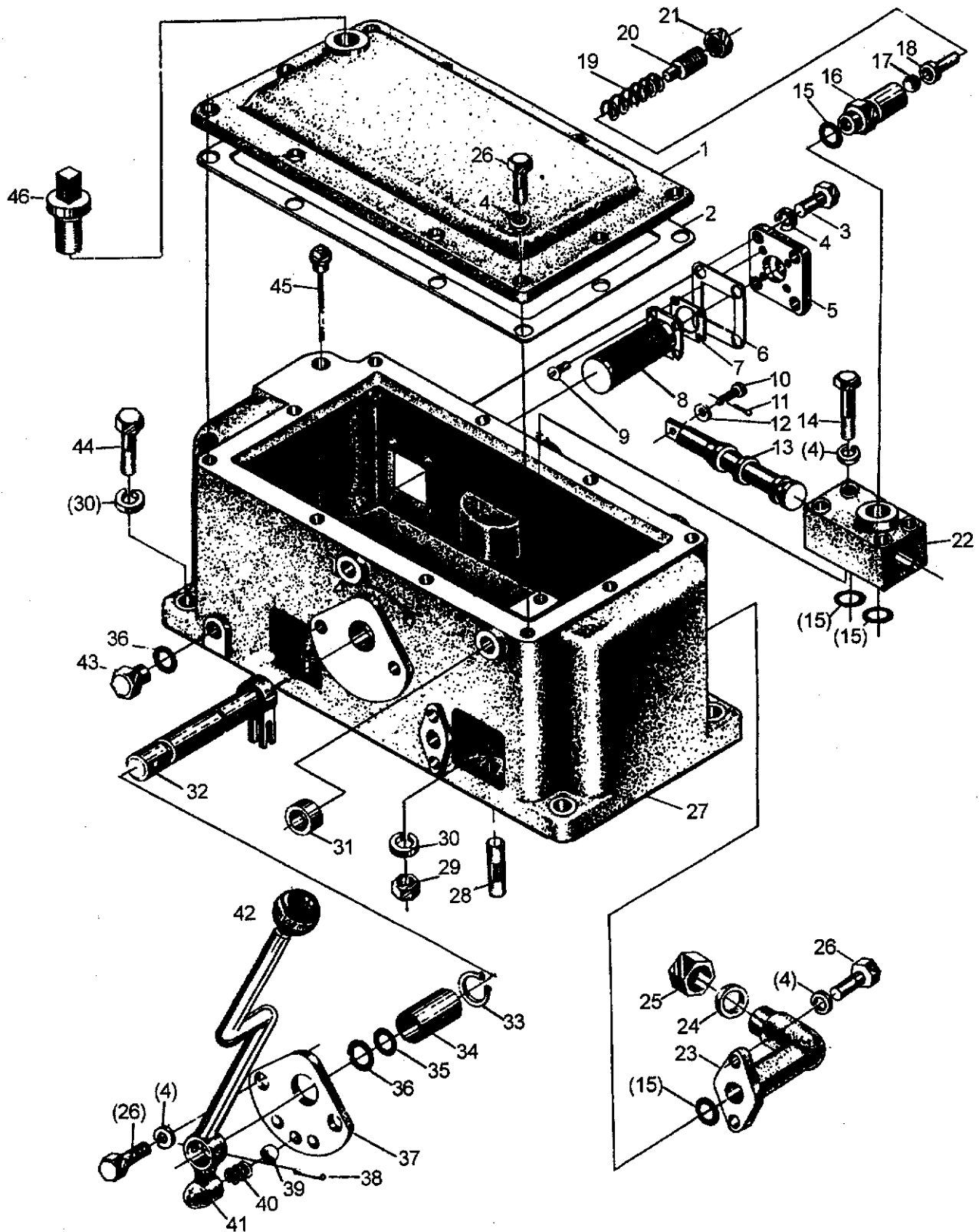
91. 燃油箱总成 II Fuel Tank Assembly II



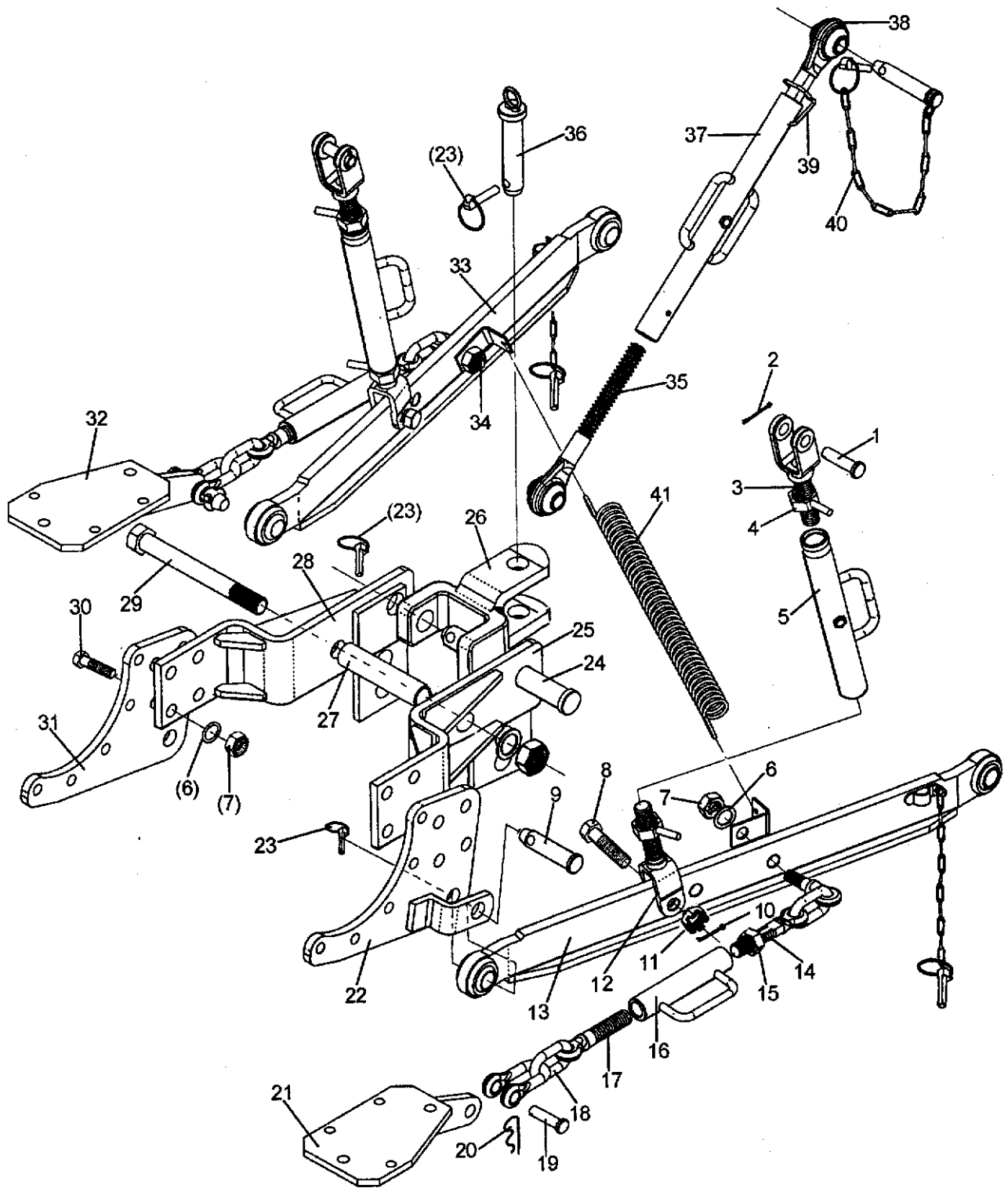
93. 油泵及濾清器 Oil Pump and Filter Assembly



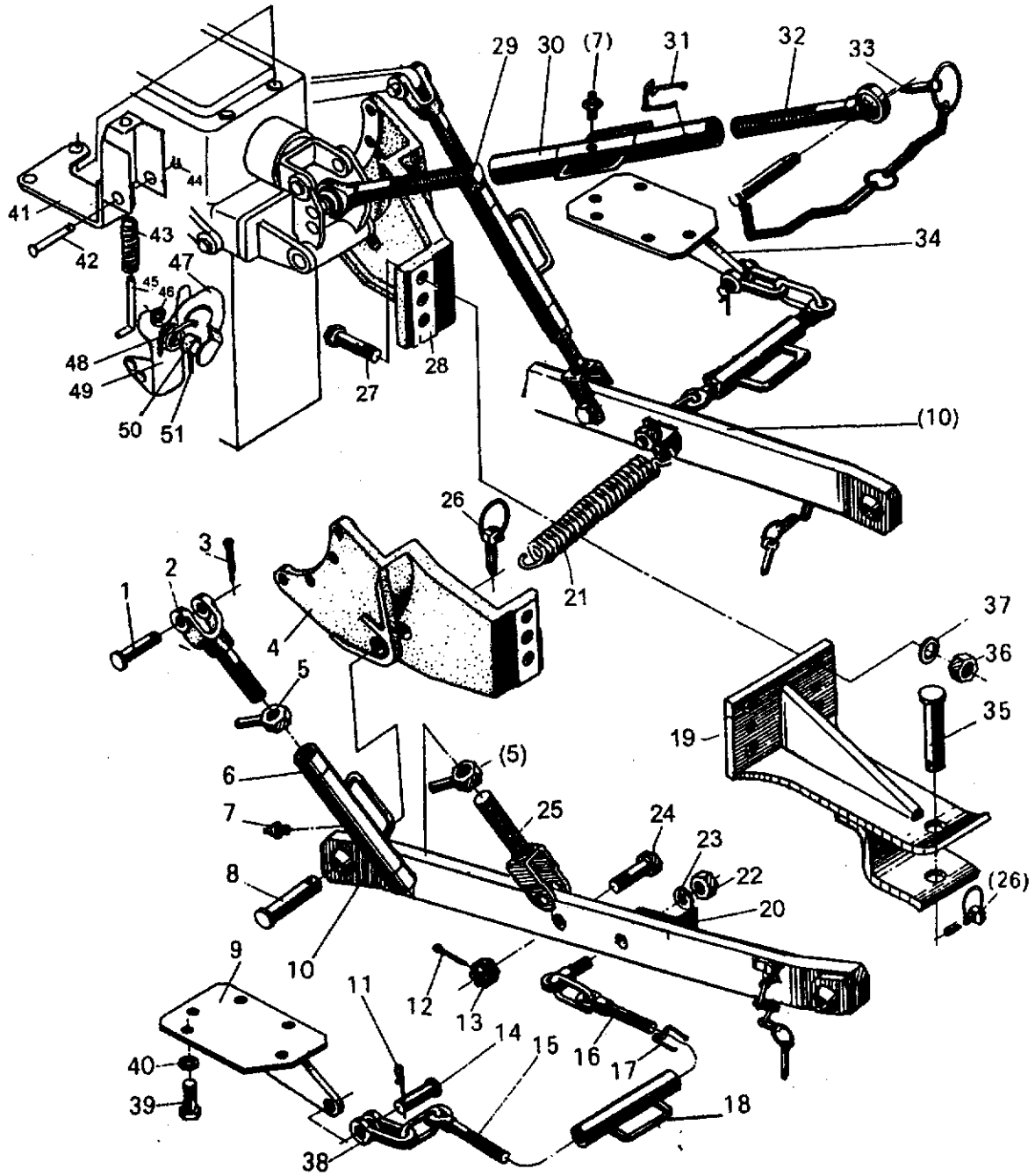
95. 液压输出器 Hydraulic Take-off Device



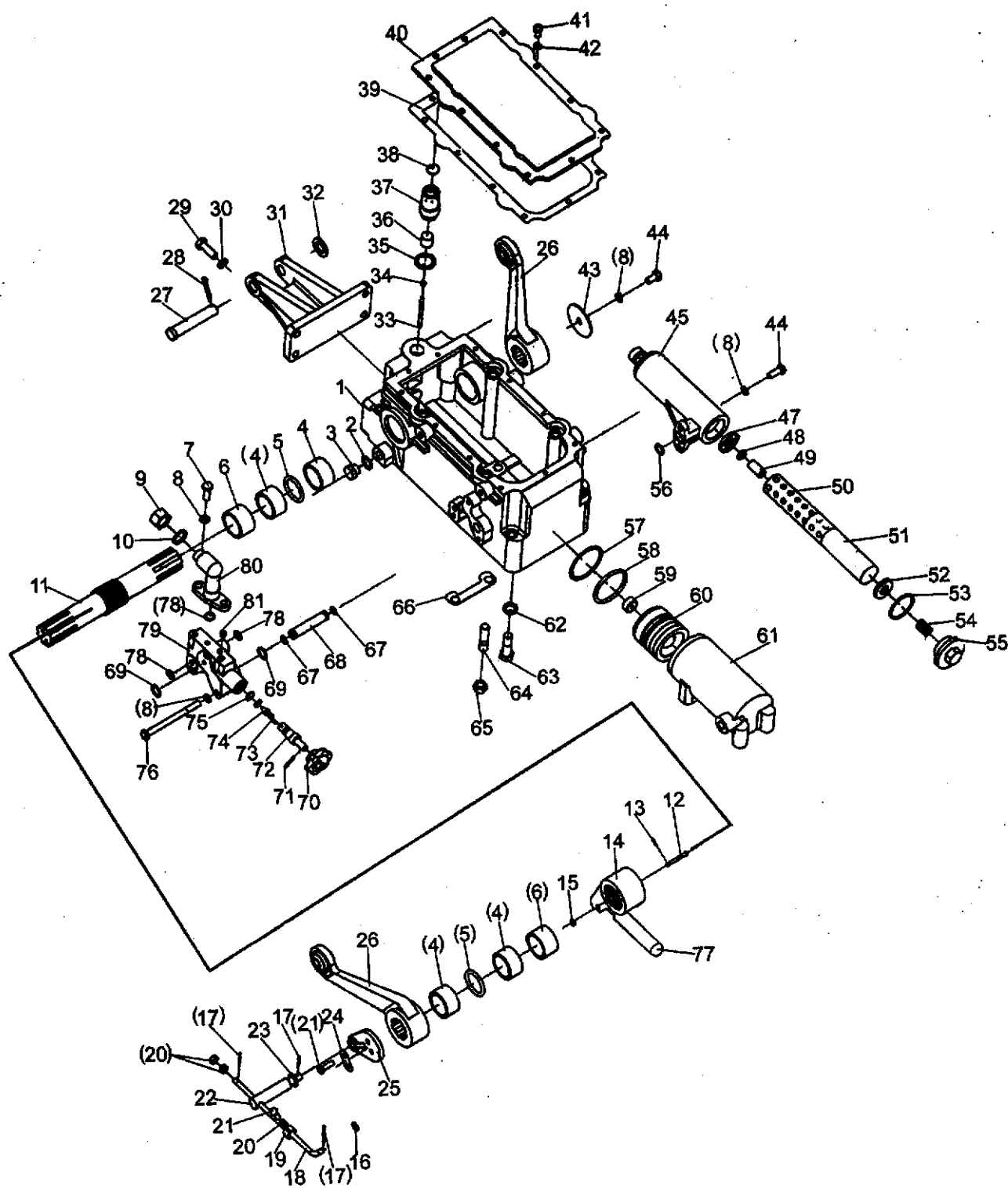
96. 悬挂牵引机构 I Suspension System I



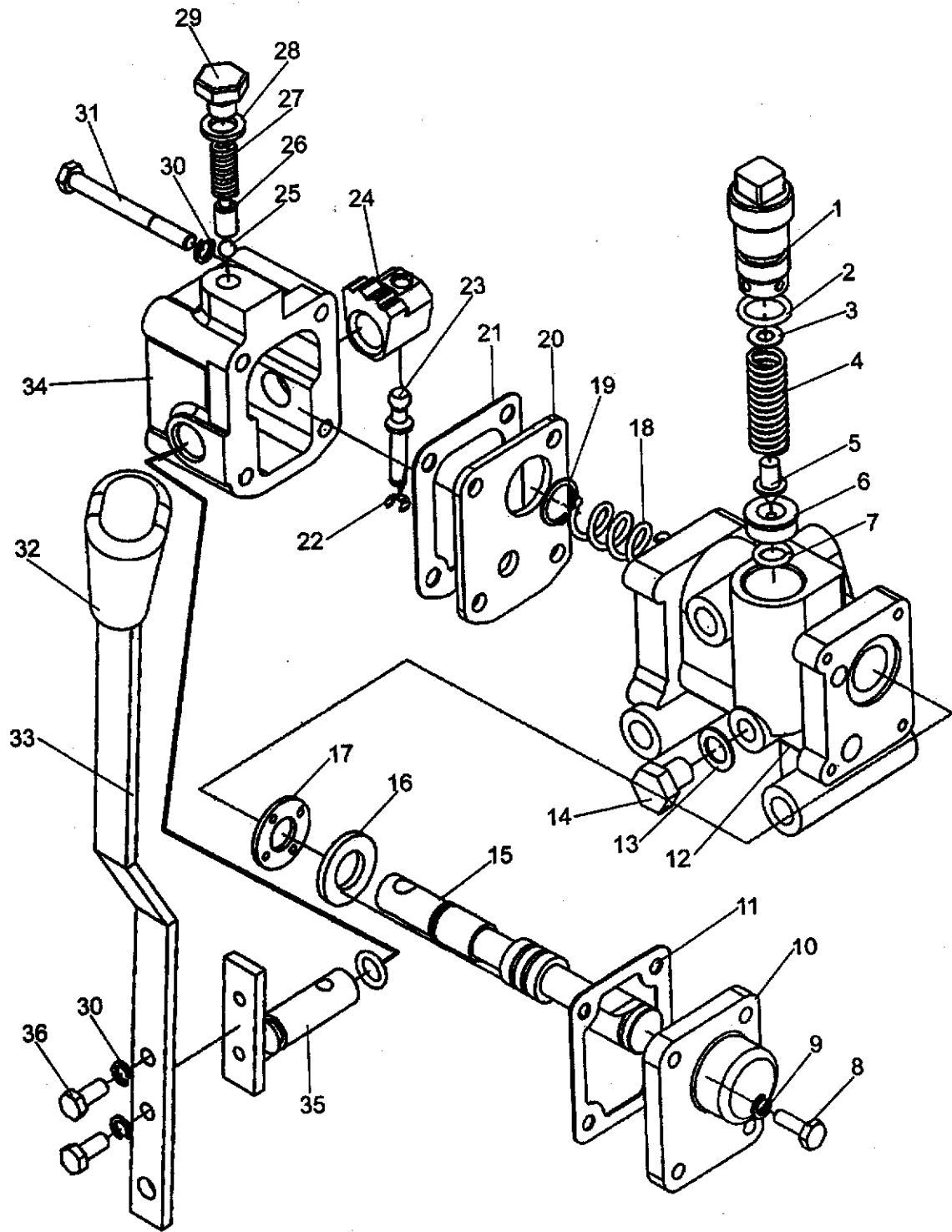
97. 悬挂牵引机构 II Suspension System II



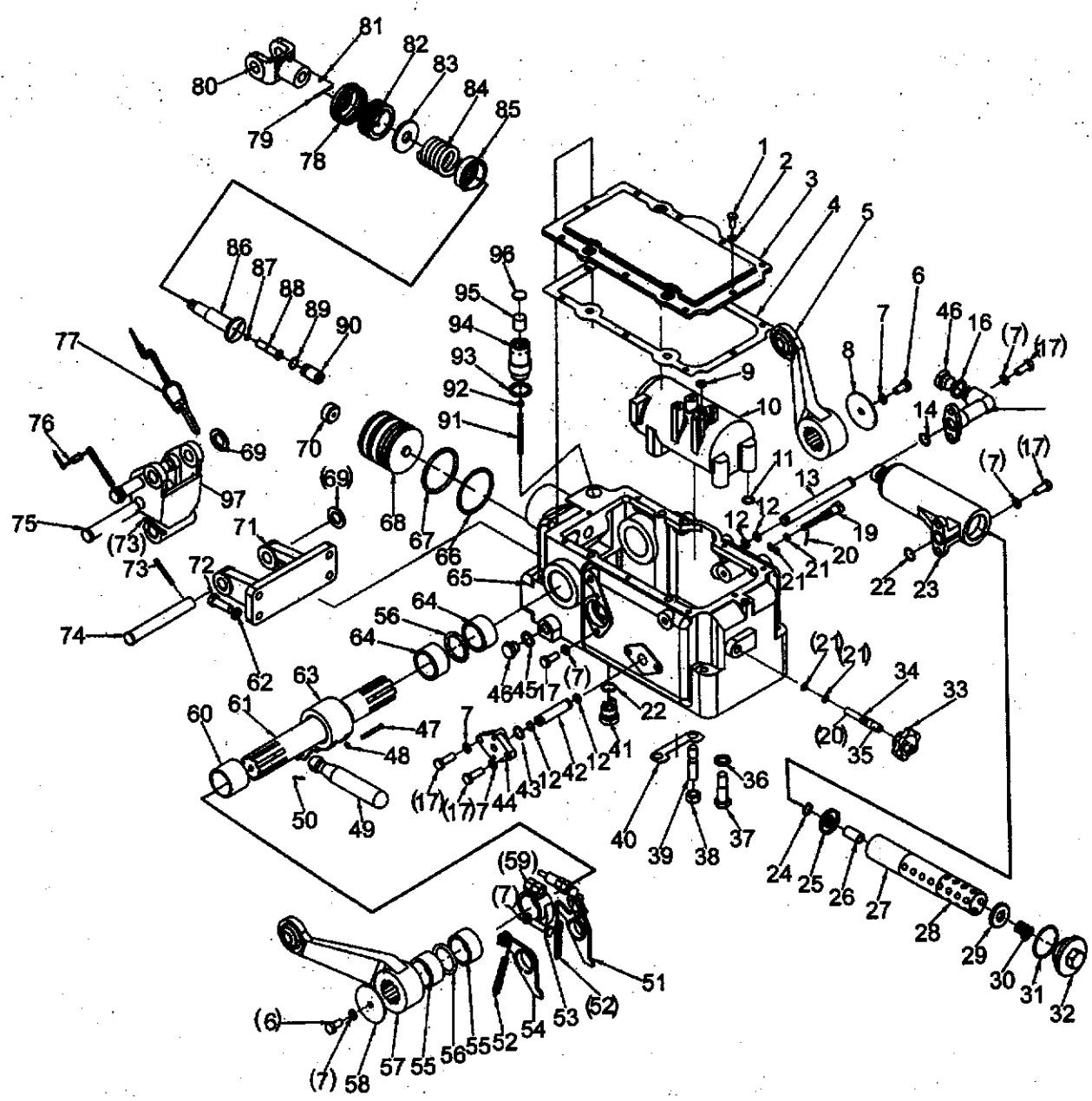
98. 提升器 I Lifter Assembly I



99. 分配器总成 Distributor Assembly



100. 提升器 II Lifter Assembly II



102. 油缸，分配器 Cylinder, Distributor Assembly

